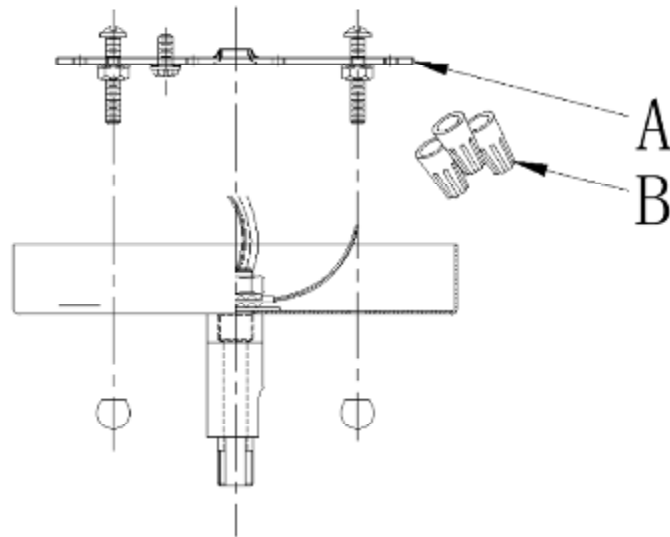


Assembly Instruction (AT108BLK)



The pic is just for wire connection. Some parts will be small different from actuals.

