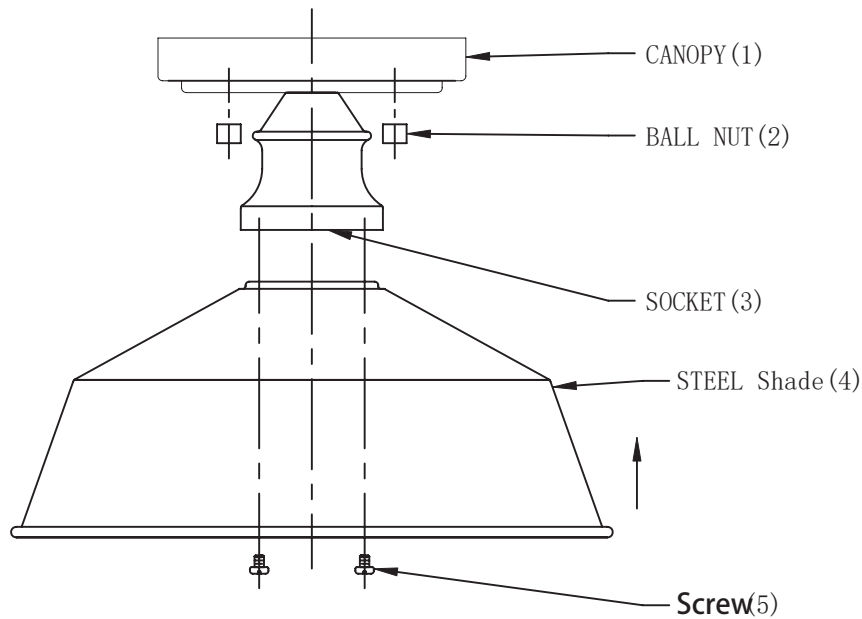


ASSEMBLY&INSTALLATION INSTRUCTIONS

Bola - 1 Light Semi Flush
BO101G-BO101BRZ-BO101C



ASSEMBLY INSTRUCTIONS

1. Carefully unpack and identify all parts referring to illustration for parts identification.
2. Turn the power to the installation point OFF.
3. Install the steel shade(4), over the socket(3), Use screw(5) locking.
4. Refer to the additional installation instructions included with the product for wiring and installation.
5. Install proper bulbs(not included) into socket referring to the markings and/or labels on the fixture for maximum wattage.
6. Restore power to the installation point and retain this sheet for future reference.