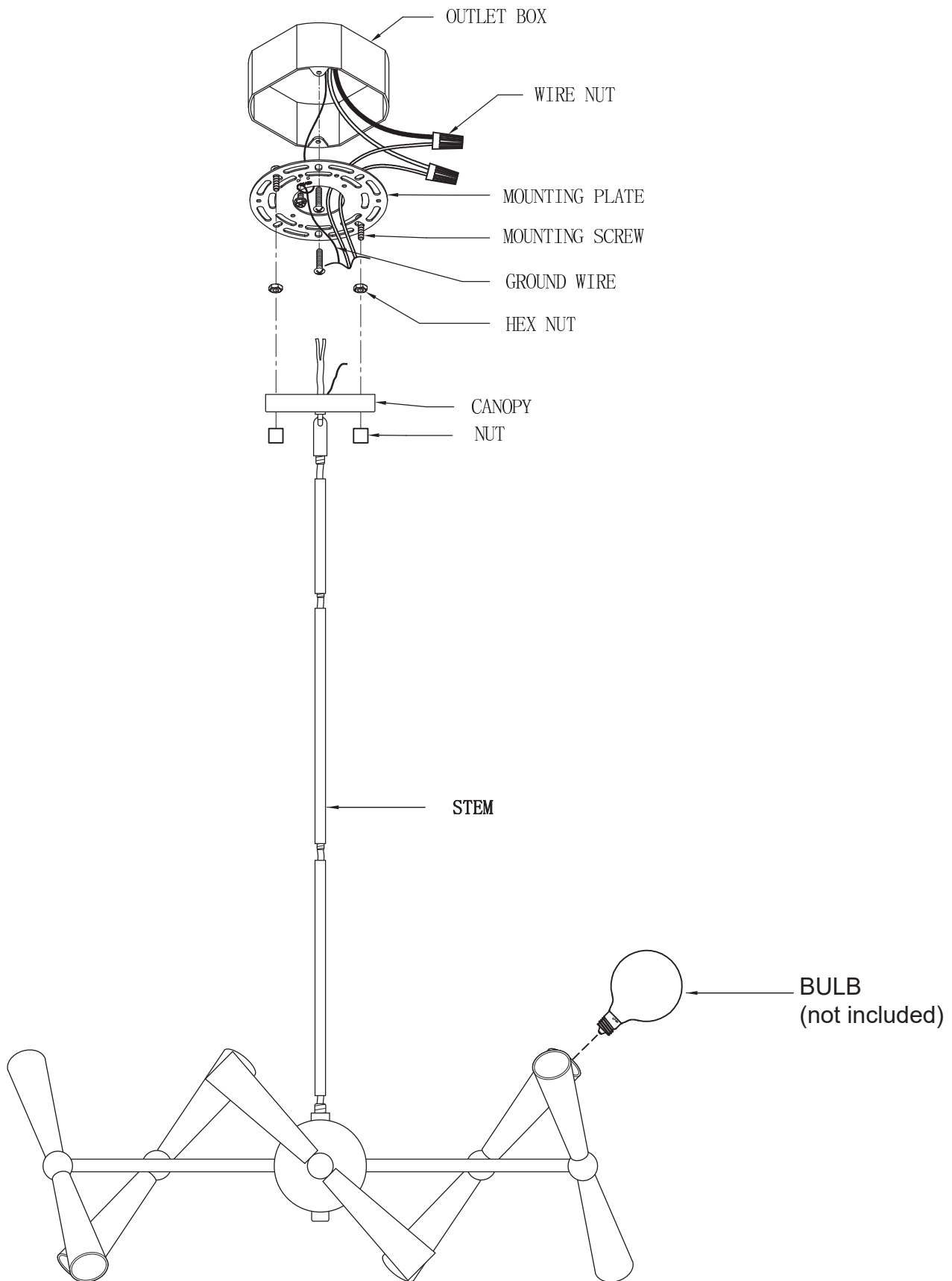


ASSEMBLY & INSTALLATION INSTRUCTIONS

Mizu 10 Light Chandelier - Gold - MI110G



Hanging Fixture Installation and Wiring Instructions

NOTE: ALWAYS TURN POWER OFF BEFORE INSTALLING LIGHTING FIXTURES!

IMPORTANT: YOU SHOULD USE A QUALIFIED ELECTRICIAN TO INSTALL THIS FIXTURE.

Installation (see Fig.A)

1. Disconnect power at main electrical panel before installation.
2. Attach mounting strap to outlet box using Box screw #1 provided with outlet box.
3. Secure the screw #2 into the mounting strap then thread it into the canopy and lock with ball nut.

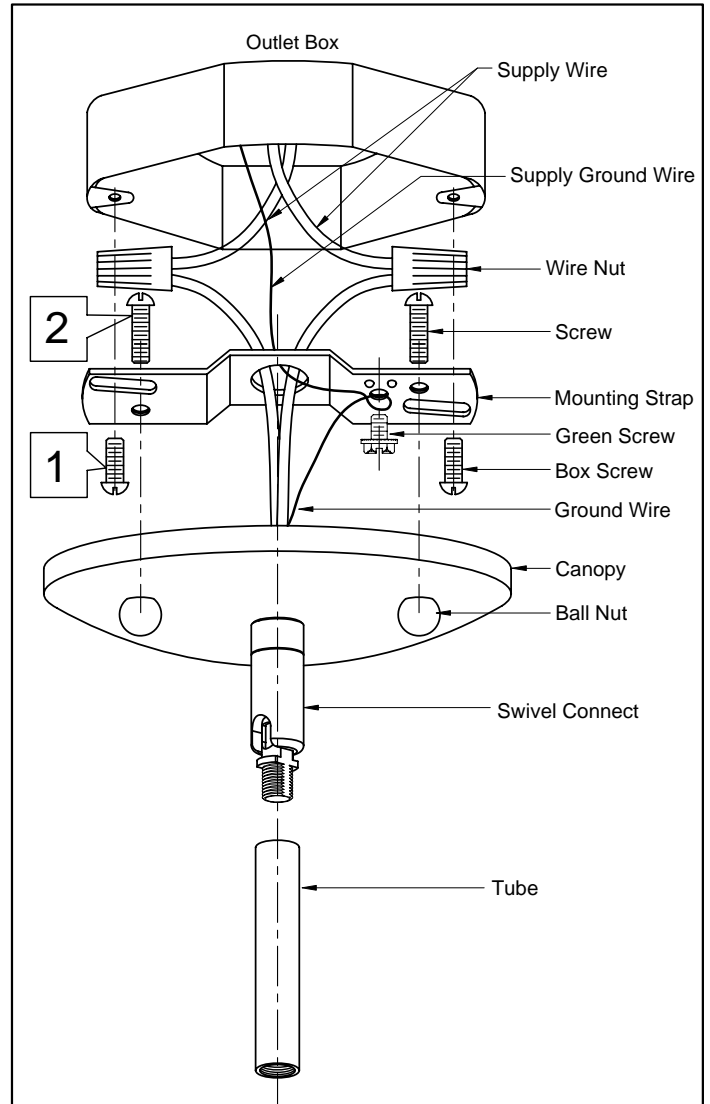


Fig.A

Wiring (see Fig.B)

1. Split the conductors of the fixture wire about 4 inches. Being careful not to expose any of the wire inside of the insulation.
2. Connect the fixture ground wire to the outlet box ground wire using wirenut. Connect outlet box ground wire to mounting strap with GREEN hex-head ground screw to tapped hole in mounting strap marked "GND".
3. Connect the half of the fixture wire that is white, marked, or has a ribbed surface to the outlet box supply wire (WHITE). Connect the other half of the fixture wire that is black, unmarked, or has a smooth surface to the outlet box supply wire (BLACK or RED). Use wirenuts provided.
4. Spread the electrical splices so that the black wire are on one side of the outlet box and the white wire are on the other side.
5. Slide canopy up into place against ceiling. Slide collar ring up and thread onto collar loop to secure canopy in place.

NOTE: Make sure chain supports the weight of the light fixture and no weight is on either supply or ground wires.

Grounding Detail

Connect Black or Red House Wire to:	Connect White House Wire to:
Black	White
Parallel cord - SPT I & II (round & smooth)	Parallel cord - SPT I & II (square & ridged)
Clear, Brown, Gold or Black (without tracer)	Clear, Brown, Gold or Black (with tracer)
Insulated Wire (Other than GREEN) with copper conductor	Insulated Wire (Other than GREEN) with silver conductor

Fig.B