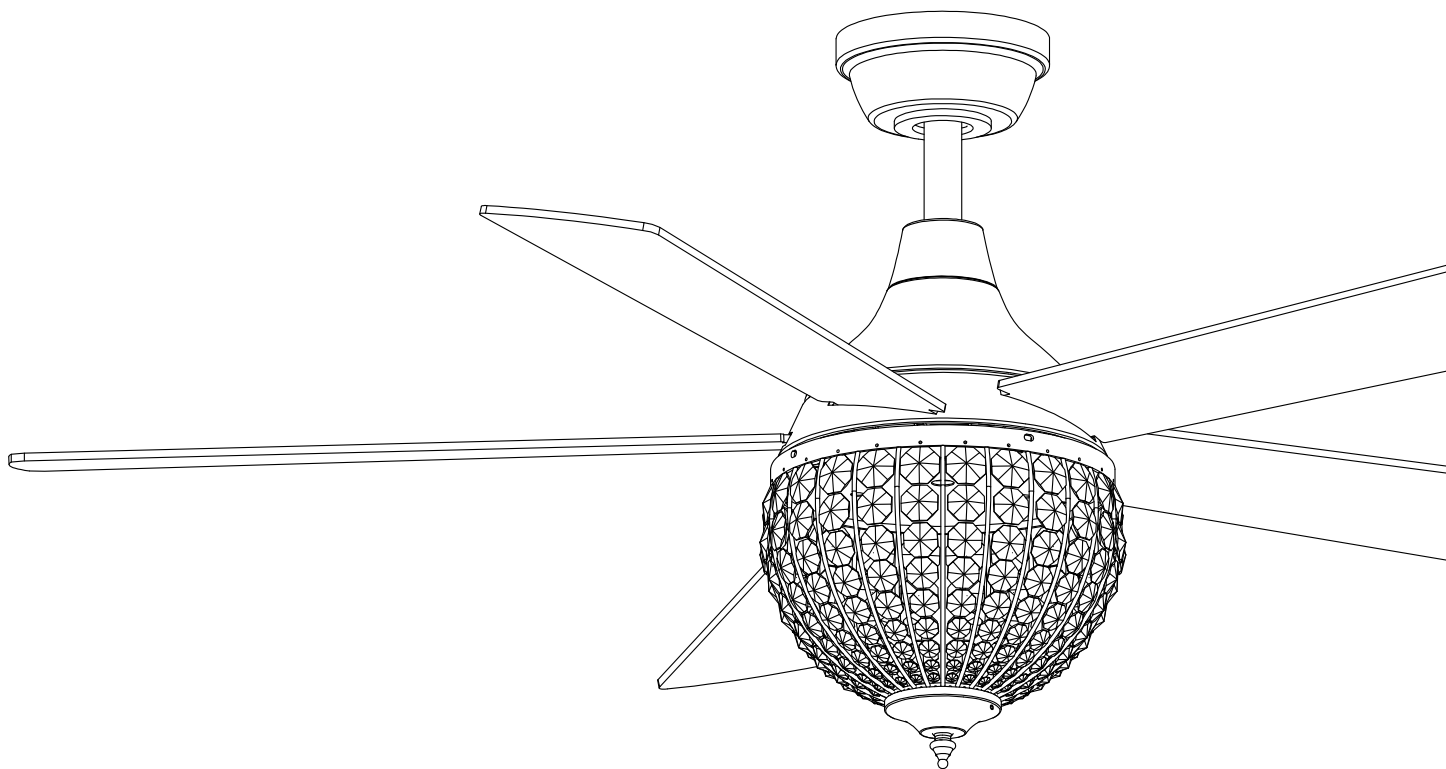


# Parrot Uncle

---

CEILING FAN



**USE AND CARE GUIDE**

---

---

**WARNING: SHUT POWER OFF AT FUSE OR CIRCUIT BREAKER**

## Safety Information

- 1、 To reduce the risk of electric shock, the electricity has been turned off at the circuit breaker or fuse box before begin.
- 2、 All wiring must be in accordance with the National Electrical Code NASI/NFPA 70-1999 and local electrical codes. Electrical installation should be performed by a qualified licensed electrician.
- 3、 The outlet box and support structure must be securely mounted and capable of reliably supporting 35lb.(15.9kg).Use only UL listed outlet boxes marked "Acceptable for Fan Support of 35lbs(15.9kg)or less."
- 4、 The fan must be mounted with a minimum of 7 ft. (2m) clearance from the trailing edge of the blades to the floor.
- 5、 Do not operate the reversing switch while the fan blades are in motion. You must turn the fan off and stop the blades before you reverse the blade direction.
- 6、 Do not place objects in the path of the blades.
- 7、 To avoid personal injury or damage to the fan and other items, please be careful when working around or cleaning the fan.
- 8、 Electrical diagrams are for reference only. Light kits that are not packed with the fan must be UL-listed and marked suitable for use with the model fan you are installing. Switches must be UL General Use Switches. Refer to the instructions packaged with the light kits and switches for proper assembly.
- 9、 After making electrical connections , spliced conductors should be turned upward and pushed carefully up into the outlet box.The wires should be spread apart with the grounded conductor and the equipment-grounding conductor on one side of the outlet box.
- 10、 All setscrews must be checked and retightened where necessary before installation.



**WARNING:**TO reduce the risk of personal injury, do not bend the blade brackets (also referred to as flanges) during assembly or after installation.Do not insert objects in the path of the blades .



**WARNING:** Remove the rubber motor stops on the bottom of the fan before installing the blades or testing the motor.



**WARNING:** To reduce the risk of fire or electric shock,do not use this fan with any solid-state speed control device.



**WARNING:**To avoid possible electric shock, turn the electricity off at the main fuse box before wiring.If you feel you do not have enough electrical wiring knowledge or experience,contact a licensed electrician.

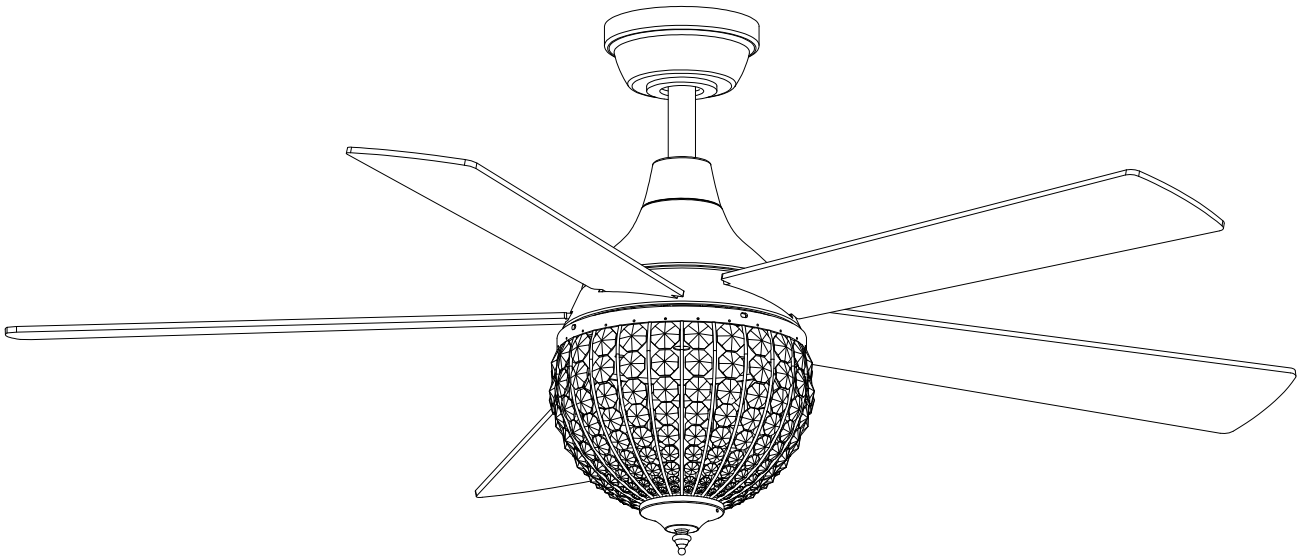


**WARNING:** Electrical diagrams are for reference only. Optional use of any light kit shall be UL-listed and marked suitable for use with this fan.



**WARNING:** To reduce the risk of fire, electric shock, or personal injury, mount to outlet box marked " Acceptable for fan support of 35 lbs.(15.9 kg)or less " and use the screws provided with the outlet box.

**WARNING: SHUT POWER OFF AT FUSE OR CIRCUIT BREAKER**



## THANK YOU FOR YOUR PURCHASE

Thank you for purchasing this quality product. To ensure correct function and safety, please read and save all instructions before using the product

### SAFETY TIP

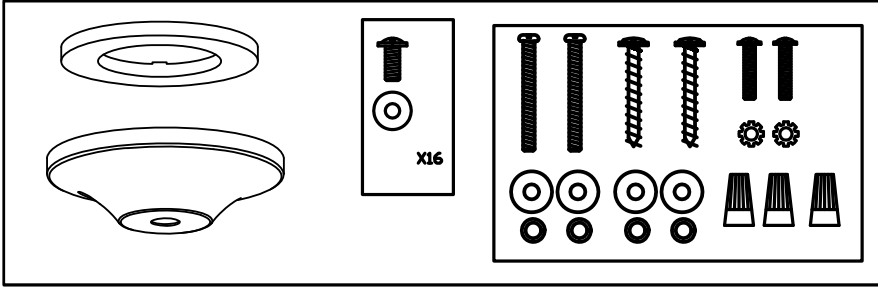
1. To avoid possible electric shock, turn off the electricity at the main fuse box or circuit panel before you begin the fan installation or before servicing the fan or installing accessories.
2. Read all instructions and safety information carefully before installing your fan and save these instructions.
3. Make sure all electrical connections comply with local codes or ordinances and the National Electrical Code. If you are unfamiliar with electric wiring, please use a qualified and licensed electrician.
4. Make sure you have a location selected for your fan that allow clear space for the blades to rotate, and at least seven (7) feet of clearance between the floor and the fan blade tips. The fan should be mounted at least thirty (30) inches from walls or other upright structures.
5. **WARNING:** The outlet box and ceiling support joist used must be securely mounted, and capable of supporting at least 100 pounds. To reduce the risk of fire, electric shock or personal injury, mount to the outlet box marked acceptable for fan supported and use mounting screws provided with the outlet box. The box must be supported directly by the building structure.
6. **WARNING:** To reduce the risk of fire, electric shock or personal injury, mount to outlet box marked "acceptable for fan support" and use mounting screws provided with the outlet box most outlet boxes commonly used for the support of lighting fixtures are not acceptable for fan support and may need to be replaced. Consult a qualified electrician if in doubt.
7. Electrical diagrams are for reference only. Light kits that are not packed with the fan must UL listed and marked suitable for use with the model fan you are installing. Switches must be UL general use switches. Refer to the instructions packaged with the light kits and switches for proper assembly.
8. After installation is complete, check that all connections are absolutely secure.
9. After making electrical connections, spliced conductors should be turned upward and pushed carefully up into outlet box. The wires should be spread apart with the grounded conductor and the equipment-grounding conductor on one side of the outlet box.
10. **WARNING:** To reduce the risk of electrical shock and fire, do not use this fan with any solid-state fan speed control device, or rheostat.
11. Do not separate the reverse switch until the fan has come to a complete stop.
12. Do not insert anything into the fan blades while they are rotating.
13. **WARNING:** To reduce the risk of personal injury, do not bend the blade brackets (also referred to as "flanges") during assembly or after installation. Do not insert objects in the path of the blades.
14. To avoid personal injury or damage to the fan and other items, be cautious when working around or cleaning the fan.
15. Do not use water or detergent when cleaning the fan or fan blades. A dry dust cloth or lightly dampened cloth will be suitable for most cleaning.

**NOTE:** The important safety precautions and instructions appearing in the manual are not meant to cover all possible conditions and situations that may occur. It must be understood that common sense and caution are necessary factors in the installation and operation of this fan.

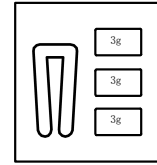
**NOTE:** This product is not intended for use by persons (including children) with reduced physical, sensory or mental capabilities are different or are impaired, or lack of experience or knowledge, unless such persons are supervised or trained to operate the appliance by a person responsible for their safety.

**NOTE:** Children should be supervised to ensure that they do not use appliances as a toy.

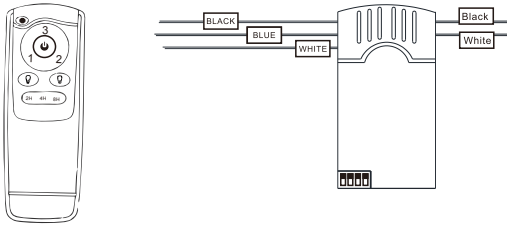
**WARNING: SHUT POWER OFF AT FUSE OR CIRCUIT BREAKER**



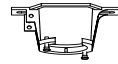
Hardware package (1 set)



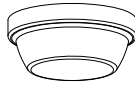
Balanced parts package(1PCS)



REMOTE CONTROL(1PCS)



Slide-on mounting bracket



Canopy

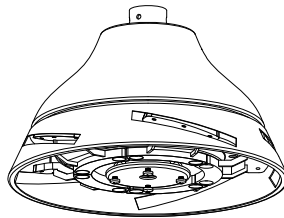


6" Ball / downrod assembly

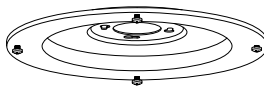
10"Ball/downrod assembly(standby)



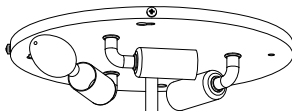
Coupling cover



Fan-motor assembly



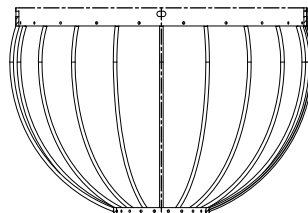
Switch housing



Light kit fitter assembly



Blades(5pcs)



Light kit cage

**Pls check whether above accessories are completed or not?Yes,and install.**

**WARNING: SHUT POWER OFF AT FUSE OR CIRCUIT BREAKER**

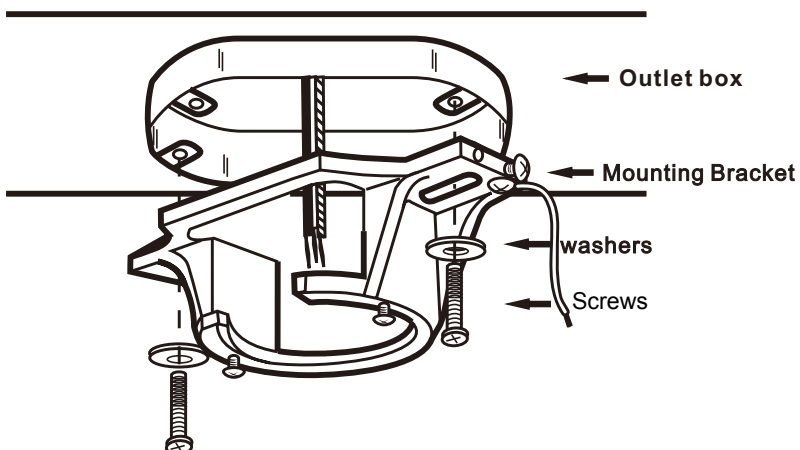
### 1 Attaching the fan to the electrical box



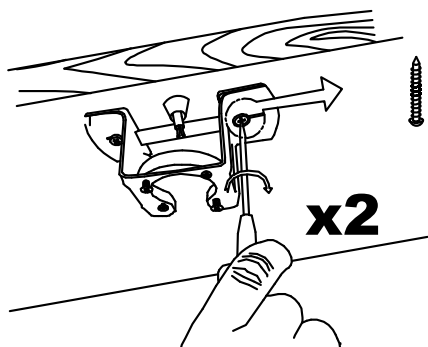
**WARNING:** To reduce the risk of fire, electric shock or personal injury, mount to an outlet box marked "Acceptable for fan support of 35 lbs. (15.9kg) or less," and use the screws provided with the outlet box.



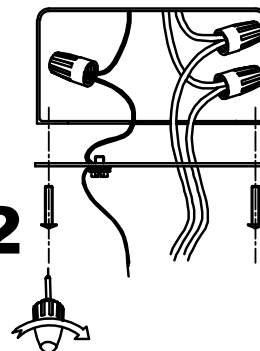
**NOTE:** The mounting bracket(A) is designed to slide into place on an outlet box with the outlet box screws(LL).



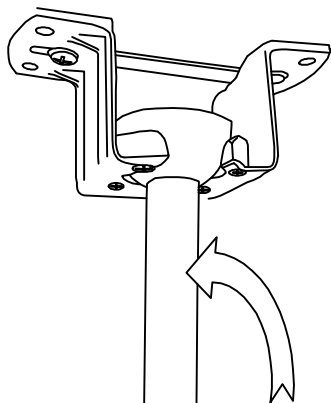
**1**



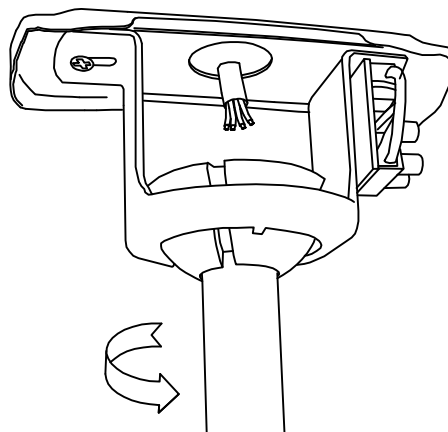
**x2**



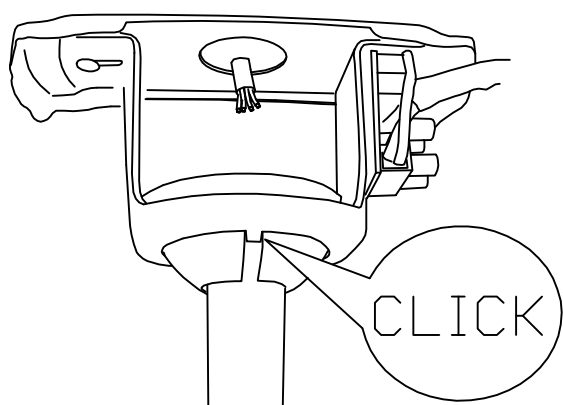
**2**



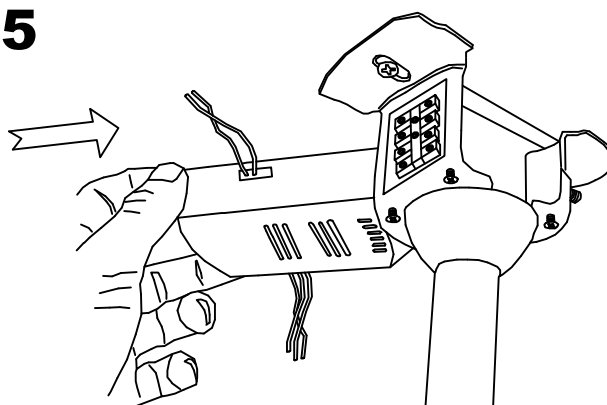
**3**



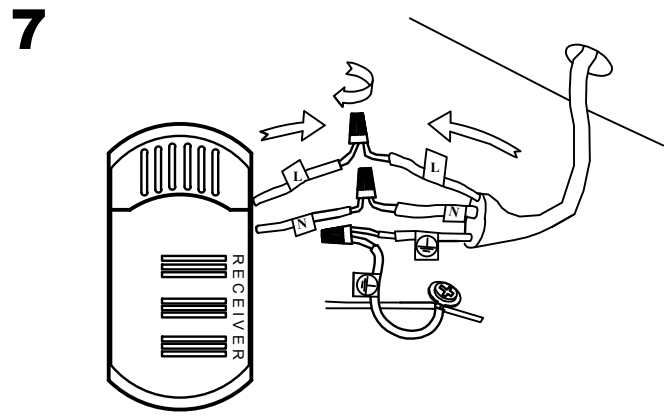
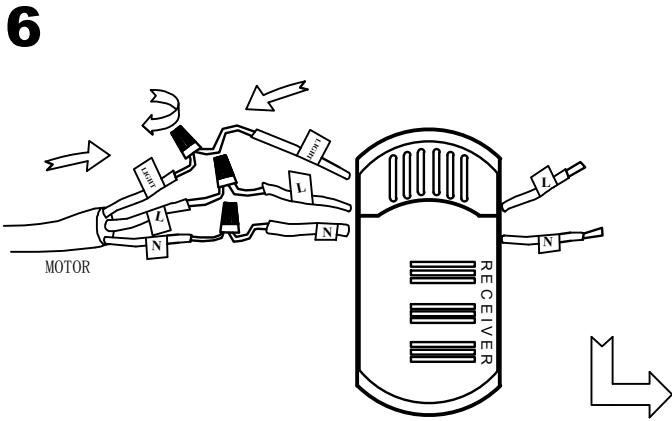
**4**



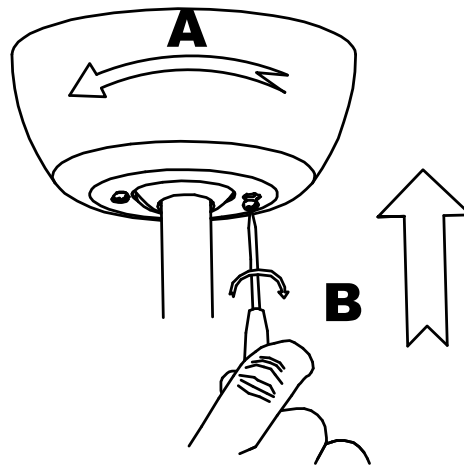
**5**



**WARNING: SHUT POWER OFF AT FUSE OR CIRCUIT BREAKER**



**8**



### OPERATING YOUR FAN

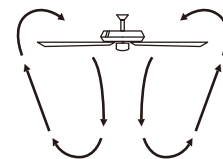
The appropriate speed settings for warm or cool weather depends on factors such as the room size, ceiling height, and number of fans.

The reverse switch controls the direction of the blades.

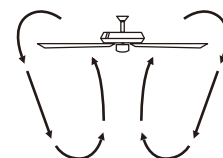
**NOTE:** Wait for the fan to stop before reversing the direction of the blade rotation

**A. warm weather-(Forward)** A Downward airflow creates a cooling effect. This allows you to set your air conditioner on a higher setting without affecting your comfort.

**B. Cool weather-(Reverse)** An upward airflow moves warm air off the ceiling. This allows Reverse you to set heating unit on a lower setting without affecting your comfort.



A. Warm Weather (SUMMER TIME)

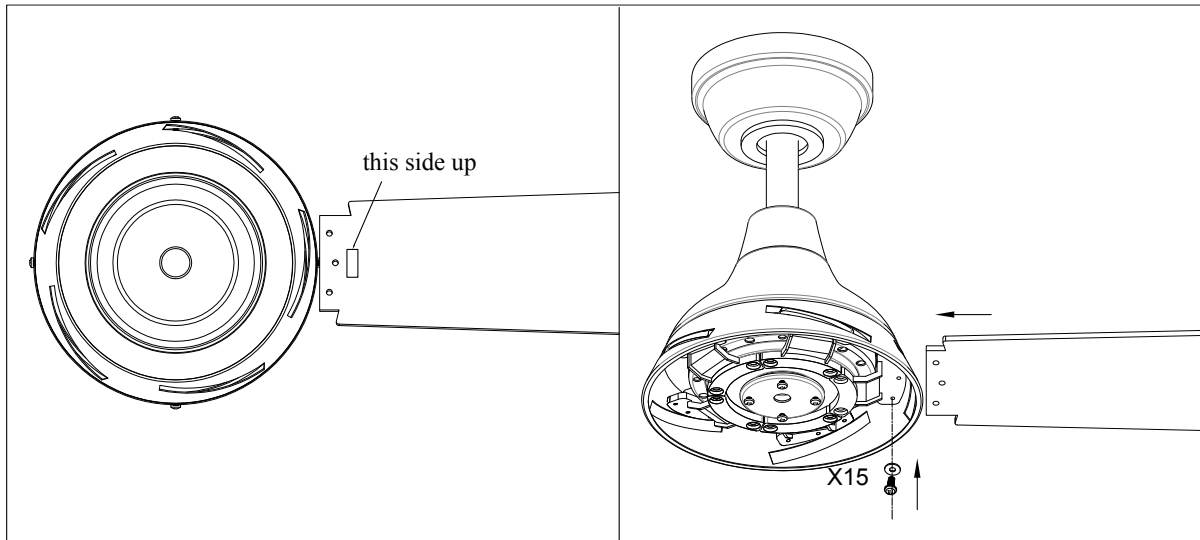


B. Cool Weather (WINTER TIME)

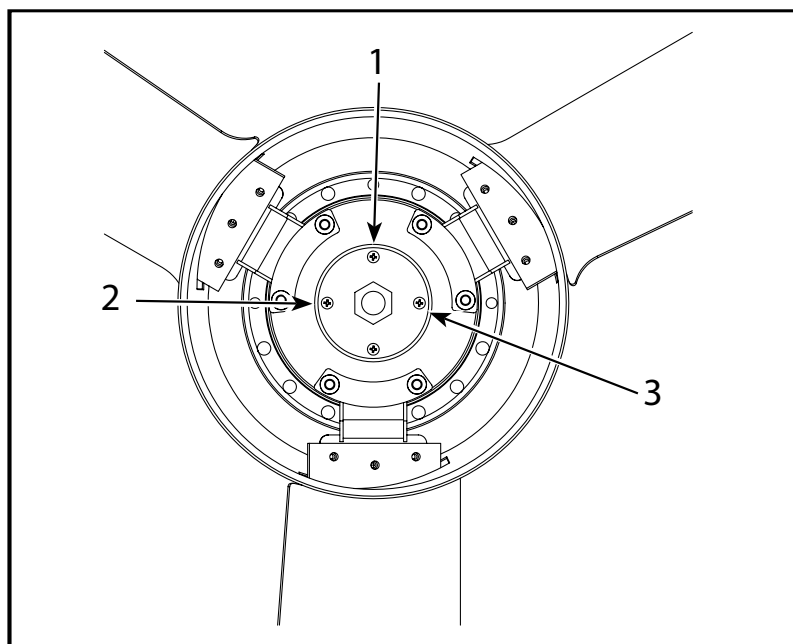
**WARNING: SHUT POWER OFF AT FUSE OR CIRCUIT BREAKER**

### Fan Blades Assembly Installation

1. Insert the blades through the slots on the flywheel, tighten the blades to the pre-installed blade bracket by the provided screws and flat washers.  
Blades are directional, note that the blades marked with "this side up" should be mounted upward.



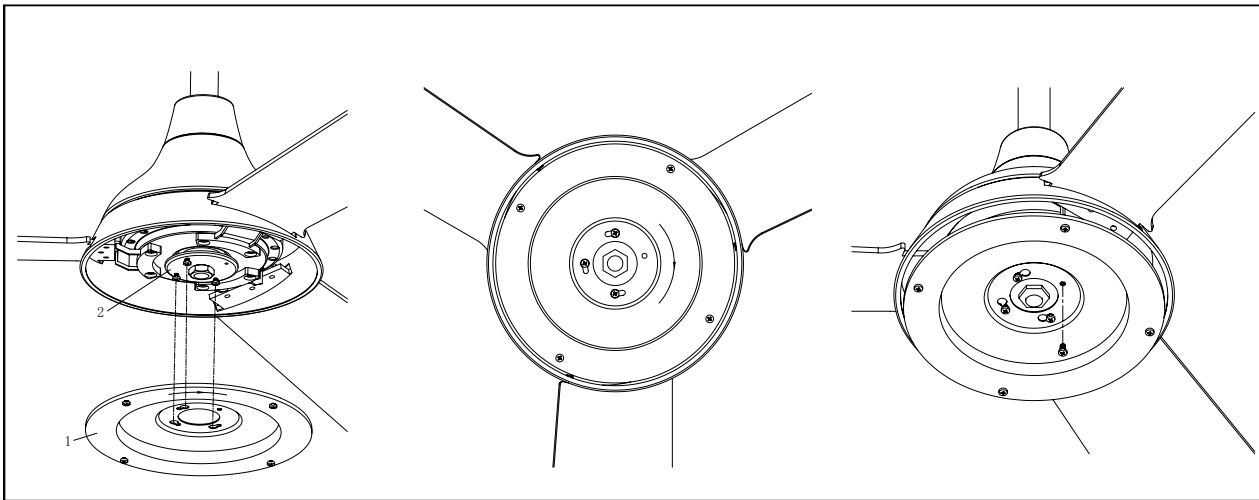
2. Remove one (1) of the 4 screws on the support plate (3), and loosen (do not remove) the other three screws (2).



**WARNING: SHUT POWER OFF AT FUSE OR CIRCUIT BREAKER**

### LIGHT FIXTURE INSTALLATION

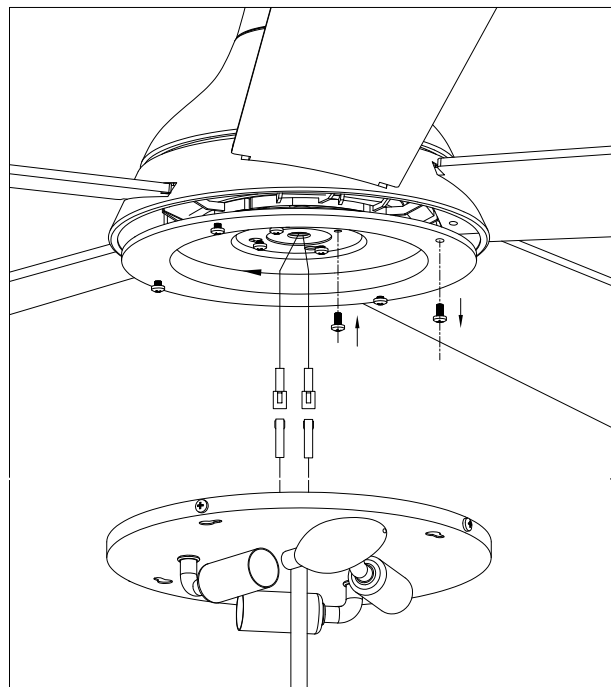
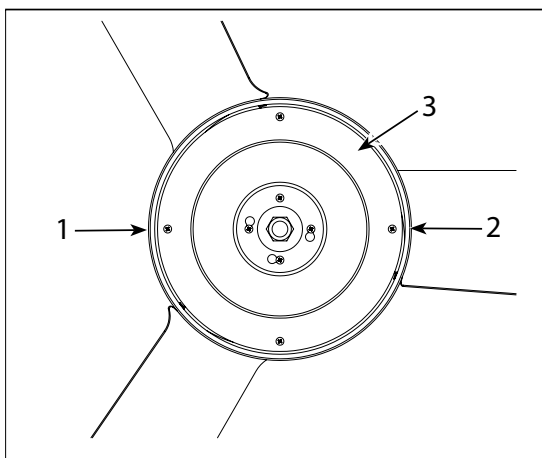
Carefully insert lead wires through the centre hole of the converting plate (1). The converting plate has 3 keyhole slots, align the slots to the protruding screws from support plate (2). Attach and rotate the converting plate clockwise to engage the key-slots, then Install the screw removed in step 19 into the closed hole and tighten all 4 screws securely.



### LIGHT FIXTURE INSTALLATION

Remove one (1) of the 4 screws on the converting plate (3), and loosen (do not remove) the other three screws (2).

Prepare to attach the light kit to the converting plate, find the male connector in the fan body and the female connector in the light kit. Then wiring by connect the wire plugs between the fan and light kit.

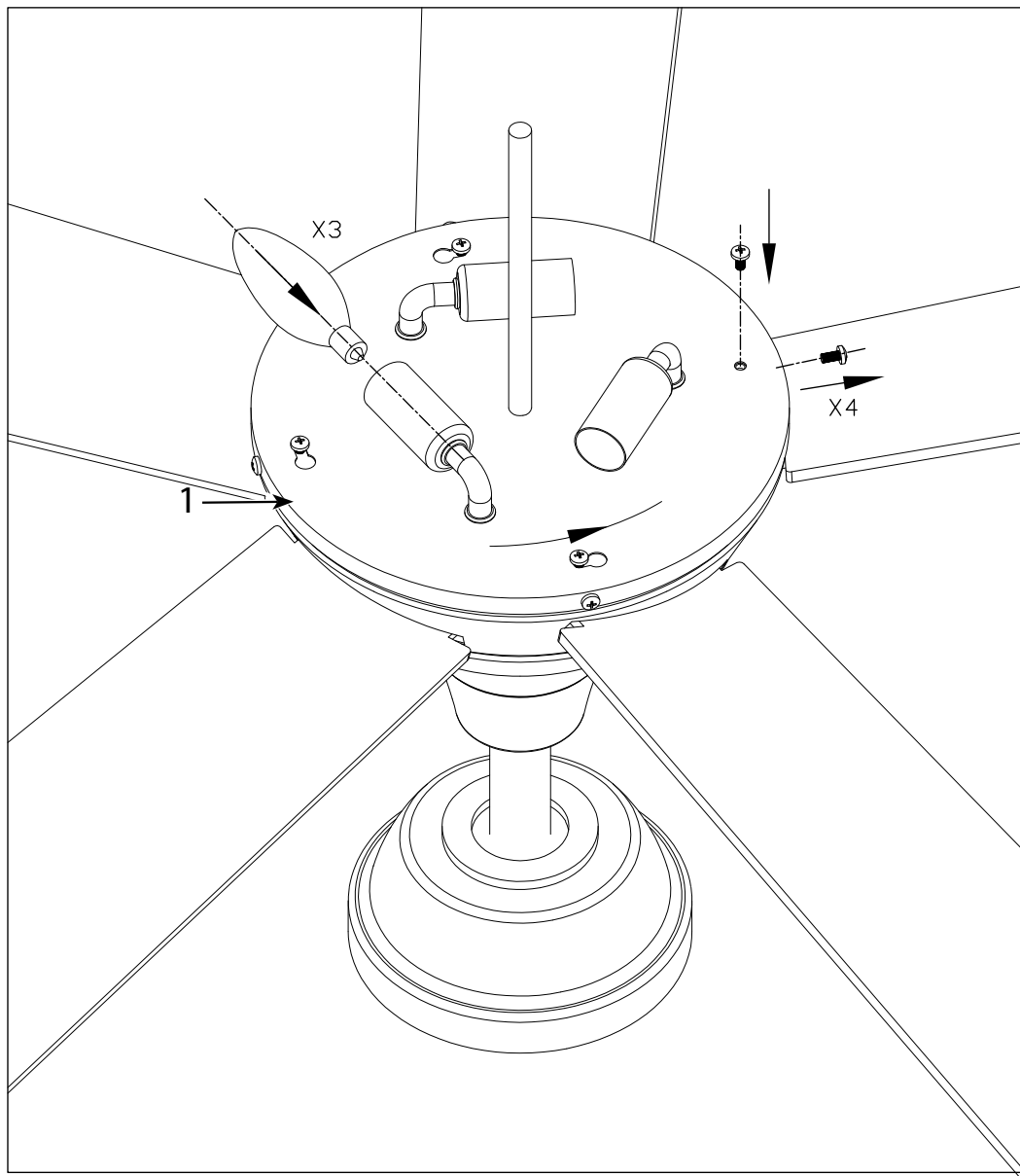




### LIGHT FIXTURE INSTALLATION

The light kit (1) has 3 keyhole slots. Align the slots to the protruding screws from converting plate (2), attach and rotate the light kit clockwise to engage the slots, then install the screw removed previously into the closed hole and tighten all 4 screws securely. Install the bulbs (not included).

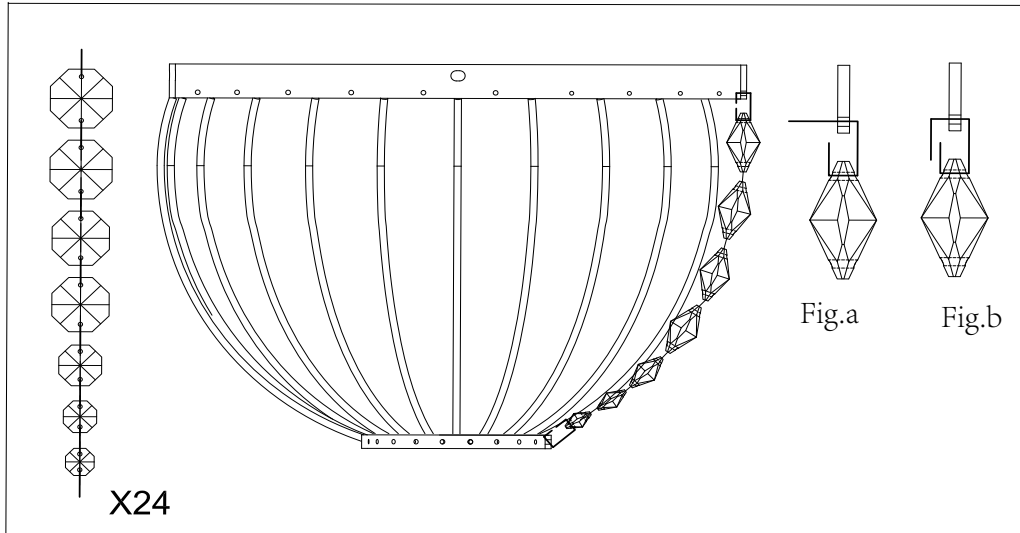
Noted: Make sure the wire and the connector are located the centre of light kit plate.



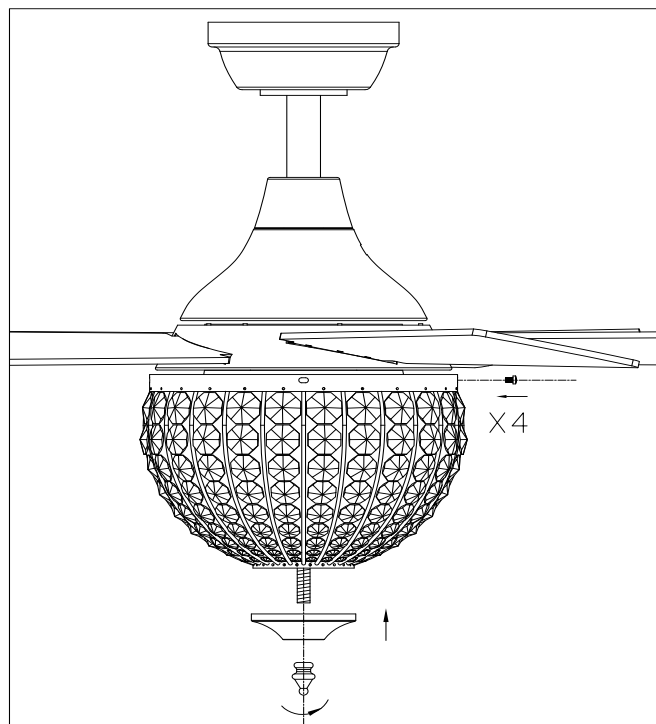
**WARNING: SHUT POWER OFF AT FUSE OR CIRCUIT BREAKER**

### CRYSTAL COVER INSTALLATION

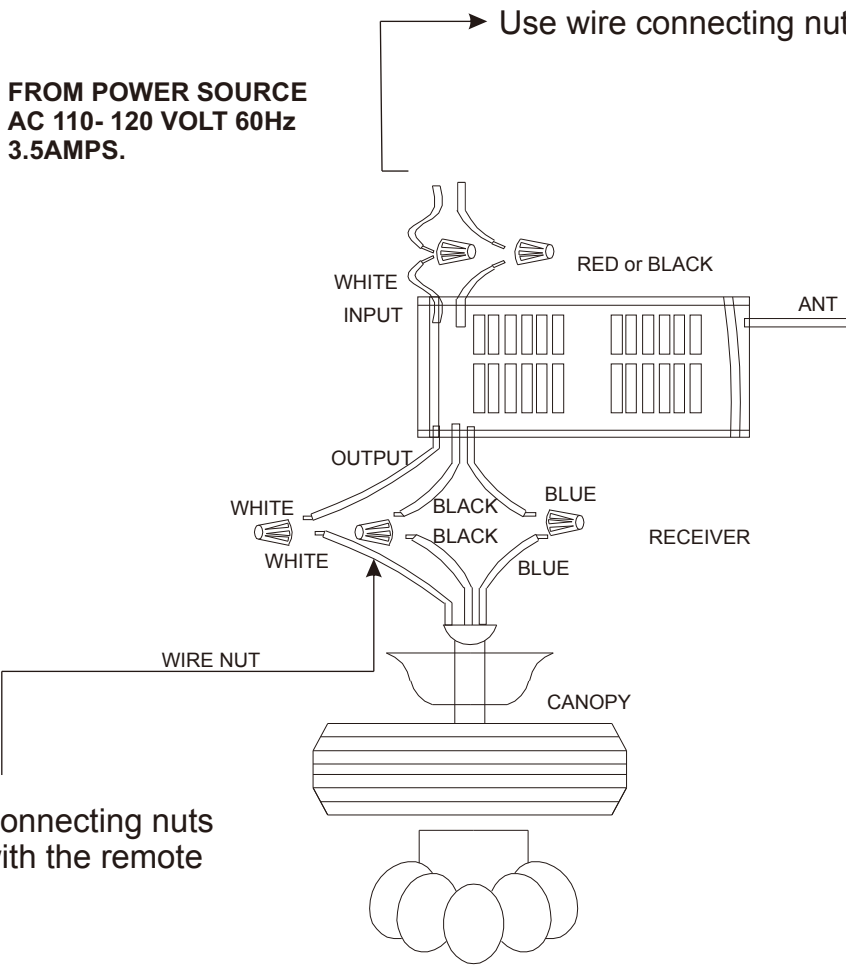
The crystal beads (provided) need the user to hang on the cage.  
The connecting steel wire on the crystal chain is inserted into the hole in the decorative cage(Fig.a), then bent down the wire (Fig.b) and secured. Secure the steel wire for the top and bottom .



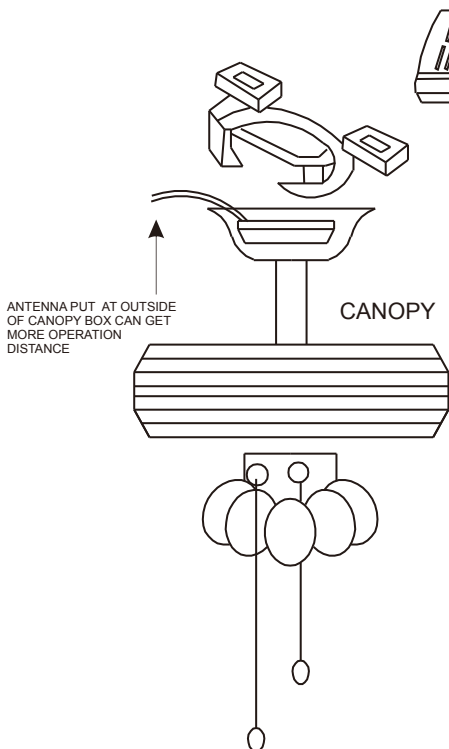
Install the crystal cover onto the light kit and tighten the 4 screws . Place decorative cap over the bottom of glass and secure by tightening decorative finial.



**WARNING: SHUT POWER OFF AT FUSE OR CIRCUIT BREAKER**



Use wire connecting nuts supplied with the remote controller.



**Install remote control**

1. Carefully push the canopy to the bottom of the mounting bracket, make two sliding holes aligned to the two prominent screws on the mounting bracket, and then turn clockwise until tight.
2. Push the canopy ring to the bottom of the canopy, slide the inner holes aligned to the two prominent screws on the mounting bracket again, and turn the canopy ring clockwise until tight.

**remote control <ONLY>**

**Preparing for mounting**

- 1: Remove the mounting bracket from the canopy by loosening the two canopy screws located in the L shaped slots.
- 2: Remove and save the two canopy screws in the round holes. This will enable you to remove the mounting bracket

LIGHT MUST BE KEPT AT THE ON POSITION

FAN MUST BE KEPT AT THE HIGH SPEED

**WARNING: SHUT POWER OFF AT FUSE OR CIRCUIT BREAKER**

## Remote controller GENERAL INFORMATION

This remote controller is designed to separately control your ceiling fan speed and light on and off. There are four buttons (HI, MED, LoW, OFF) to control the speed of the fan and off. The light button will control the light on and off. The red indicator on the transmitter will light when one of the five buttons is pressed.

### INSTRUCTION OF INSTALLATION AND OPERATION

#### 1. SETTING THE CODES

To set the codes, perform the following steps:

##### A. Setting the codes on the transmitter:

- Remove battery cover. Press firmly on the arrow and slide battery cover off.
- Slide code switches to your choice of up or down position. (Factory setting is all up. Do not use this position. Use a small screwdriver or ball point pen to slide firmly up or down (Figure 1)).

##### B. Setting the codes on the receiver:

- The Learn Key must be pressed with in 30 seconds, after pressing the Power button. If not, please press the Power button to restart. Keep pressing the button learn key in excess of 3 second it becomes a LEARN status. The receiver can remember the last codes status. The light flash two times.

#### 2. INSTALLING RECEIVER IN CEILING FAN

##### A. Safety precautions:

**WARNING: HIGH VOLTAGE!** Disconnect power by removing fuse or switching off circuit breaker. Do not use with solid state fans.

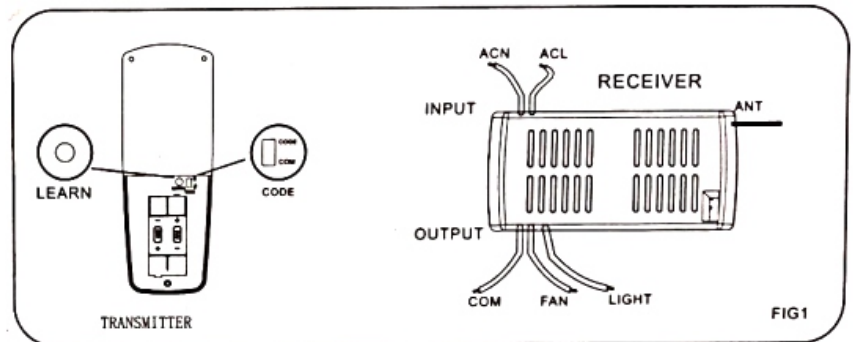
Electrical wire must meet all local and national electrical code requirements.

Supply for fan must be 110/120 volt, 60Hz. Maximum fan motor amps: 1.0, Maximum light watts: 180 incandescent or ballast and LED.

Otherwise power can cause serious injury or death.

##### B. Installing receiver in fan:

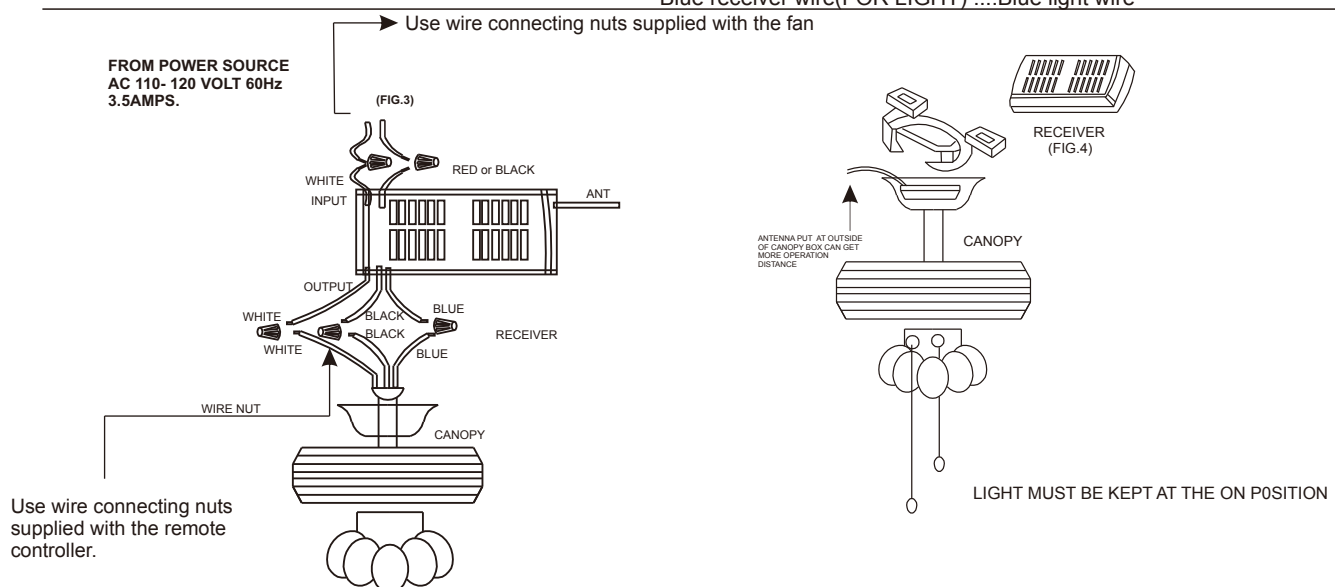
- Remove power from the circuit.
- Remove ceiling fan canopy from the mounting bracket.
- Disconnect existing wiring between ceiling fan and Supply in electrical junction box.
- Make connections as follows, using the wire nuts supplied:



**CAUTION: Ceiling Angle Shall Not Exceed 30 Degrees, For Mounting Controller, Model RE-022**

##### CONNECT TO

Green fan wire ....Bare supply wire  
Red or Black receiver wire (ACIN L)....Red or Black supply wire  
White receiver wire (AC IN N)....White supply wire  
White receiver wire (TO MOTOR N)....White fan wire  
Black receiver wire (TO MOTOR L)....Black fan wire  
Blue receiver wire (FOR LIGHT) ....Blue light wire



**WARNING: SHUT POWER OFF AT FUSE OR CIRCUIT BREAKER**

If other fans or supply wires are different color, have this unit installed by qualified licensed electrician.

- e. Push all connected wires up into junction box.
- f. Lay the brown antenna wire on top of the receiver, and put the receiver into the mounting bracket.
- g. Reinstall the canopy on the mounting bracket.
- h. Restore power.

### 3. OPERATING TRANSMITTER:

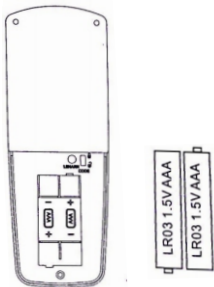
- A. Install 1.5 volt battery (not included). (To prevent damage to transmitter, remove the battery if not used for long time).
- B. Store the transmitter away from excessive heat or humidity.
- C. This remote control unit is equipped with roll code combinations. In order to prevent possible interference from or to other remote units such as garage door openers, car alarm or security system. If you find that your fan and light kit go on and off without using your remote control, simply change the code combination in your transmitter and receiver.
- D. Operating the buttons on the panel of the transmitter.
  - 3 key -for fan high speed.
  - 2 key -for fan medium speed. 1 key -for fan low speed.
  - OFF key -for fan off.
  - LIGHT key -for light on and off.
  - 2hr , 4hr , 8hr button to set the FAN sleep timer

### FCC Statement:

- 1. This device complies with Part 15 of the FCC Rules. Operation is subject to the following two conditions:
  - (1) This device may not cause harmful interference.
  - (2) This device must accept any interference received, including interference that may cause undesired operation.
- 2. Changes or modifications not expressly approved by the party responsible for compliance could void the user's authority to operate the equipment.

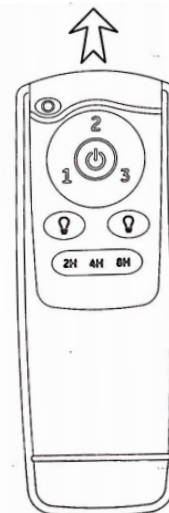
NOTE: This equipment has been tested and found to comply with the limits for a Class B digital, pursuant to Part 15 of the FCC Rules. These limits are designed to provide reasonable protection against harmful interference in a residential installation. This equipment generates, uses and can radiate radio frequency energy and, if not installed and used in accordance with the instructions, may cause harmful interference to radio communications. However, there is no guarantee that interference will not occur in a particular installation. If the equipment does cause harmful interference to radio or television reception, which can be determined by turning the equipment off and on, the user is encouraged to try to correct the interference by one or more of the following measures:

- Reorient or relocate the receiving antenna.
- Increase the separation between the equipment and receiver.
- Connect the equipment into an outlet on a circuit different from that to which the receiver is connected.
- Consult the dealer or an experienced radio/ TV technician for help.



**YOUR REMOTE NOW HAS FULL CONTROL OF THE FAN AND LIGHT .**

OPERATION DISTANCE 20 FEET



MODEL:  
RE-011

TRANSMITTER

**Optional Wall Mounting for Transmitter Holder**  
Place in accessible area of your home, and screw the transmitter holder into wall using the two screws provided, slide hand unit into holder.

### 4. TROUBLE SHOOTING GUIDE

- 1. Fails to operate
  - a. Power to receiver ?
  - b. Receiver wired correctly ?
  - c. Fan manual speed control in highest position ?
  - d. Light kit switch turned on ?
  - e. Good battery in the transmitter ?
  - f. Code set at exact same positions in both transmitter and receiver ?
- 2. Won't operate at distance

If transmitter operates fan/light kit when up close, but not at 20 feet away.  
Try placing the brown antenna wire higher, up through ceiling/outside the junction box.

### NOTICE!

Your ceiling fan and light kit assembly must meet the following requirements:

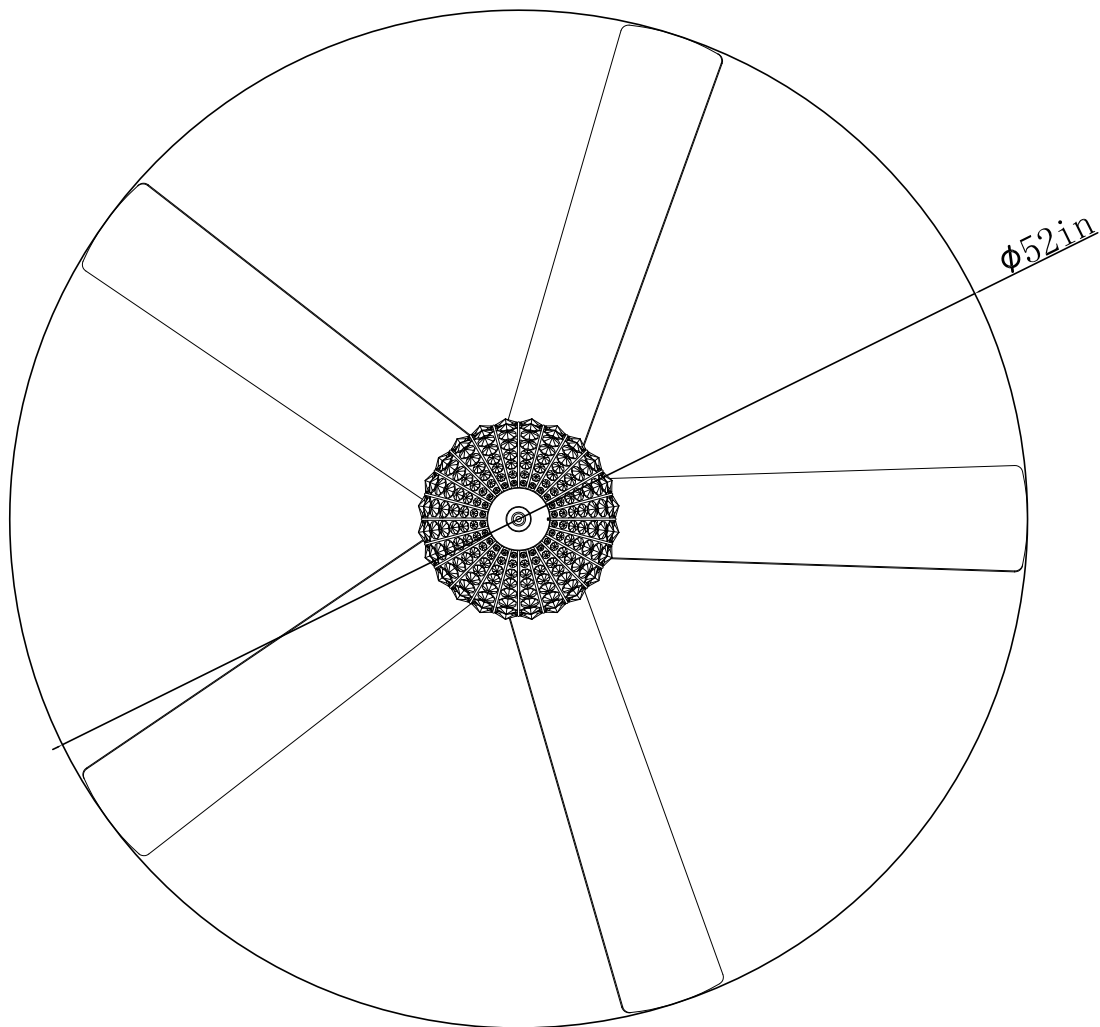
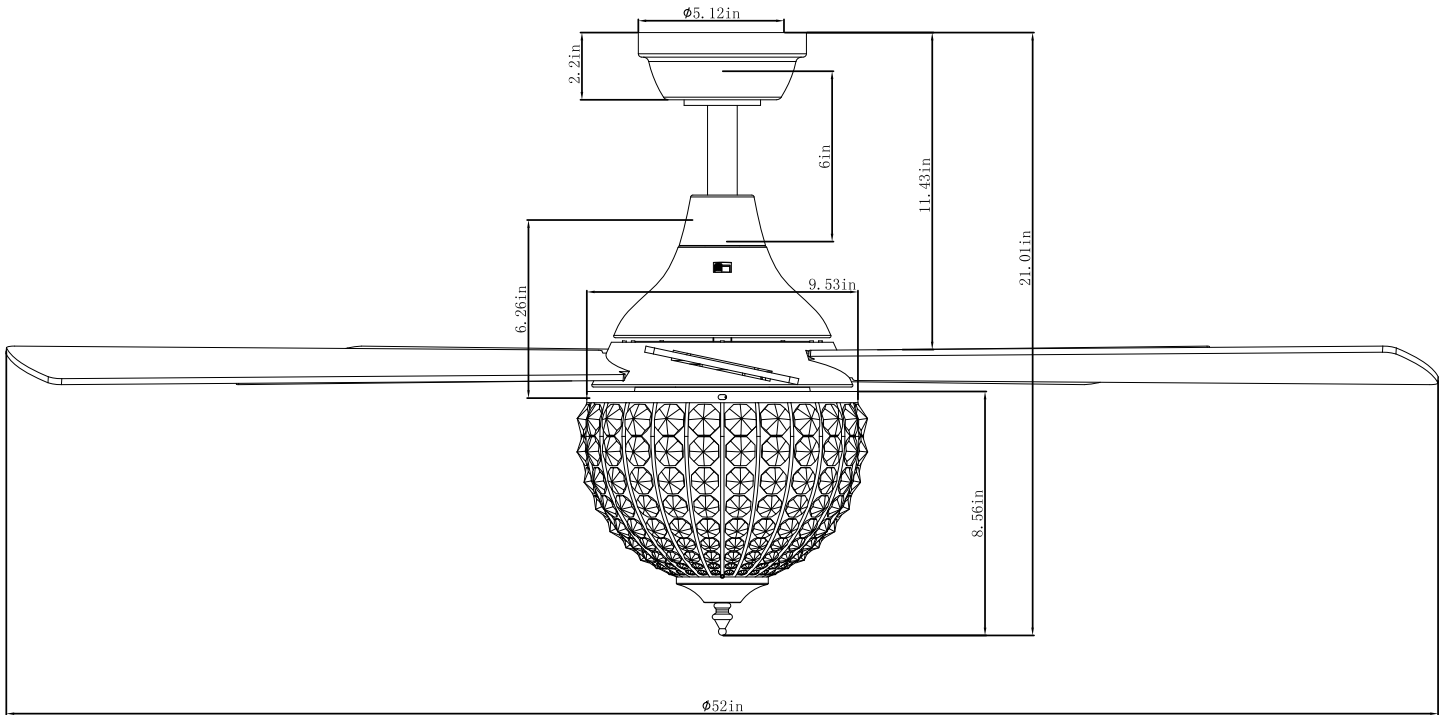
- 1. Do not use with solid state fans.
- 2. Electrical rating: 120v 60Hz 3.5A
  - MAX. Motor amps: 1.0
  - MAX. Light watts: 180-(incandescent, or ballast non-dimmer, or LED)

### WARNING

**TO REDUCE THE RISK OF SHOCK, THIS FAN MUST BE INSTALLED WITH A WALL CONTROL/SWITCH.**

**WARNING: SHUT POWER OFF AT FUSE OR CIRCUIT BREAKER**

### size of product



## TROUBLESHOOTING GUIDE

### Table of Contents

1. Fan / Remote is not working
2. Fan is noisy
3. Fan Wobbles
4. Light is not working

*Please refer to the instruction sheet for detailed directions and descriptions of installation steps and requirements.*

### 1. FAN / REMOTE IS NOT WORKING

Ensure the remote is within the 20 foot range of the receiver
To reset the remote control: 1) Turn off power to fan using the wall switch or circuit breaker. 2) Remove batteries from remote. 3) Wait 10 seconds. 4) Replace batteries and turn power on
Check batteries to insure they are good and oriented correctly
Check to make sure the frequency switches (DIP Switches) from the remote to the receiver are set to the same frequency
Check the main and branch circuit fuses or breakers
If using a Variable Speed Wall Switch, ensure it is specifically designed for use with a ceiling fan.
Check the line wire connections to the fan and the switch wire connections in the switch housing per the instructions
If fan still does not work, please contact Customer Service <a href="mailto:Support@parrotuncle.com">Support@parrotuncle.com</a>

### 2. THE FAN IS NOISY

Make sure all motor housing screws are tightened
Make sure the screws that attach fan blade to motor are tight
Make sure the wire nut connectors are not rattling against each other or the interior wall of the switch housing
Allow 24-hour break in period. Most noises associated with the new fan may disappear during this time
If using a ceiling light kit, make sure the glassware is secured tightly
Make sure there is a short distance/gap from the ceiling to the top of the canopy. The canopy should not touch the ceiling!
Make sure your ceiling box is secure and that the rubber isolator pads are used between the mounting bracket and outlet box

**WARNING: SHUT POWER OFF AT FUSE OR CIRCUIT BREAKER**

### 3. THE FAN WOBBLES

Verify all blades and blade bracket screws are secure (most fan wobble problems are caused by loose parts). Once fan is properly installed, run the ceiling fan for 10 minutes to let the fan self-adjust.

If wobble occurs after running the fan for 10 minutes, verify blade level using the following process:

a) select a point on the ceiling above the tip of one of the blades. Then select the fan blade and measure from the center of the selected blade to point on the ceiling. Rotate the fan until the next blade is positioned and repeat the measurement using the same point from the ceiling for every blade. Measurements should be within 1/8 inch.

b) If all deviation are less than 1/8 inch and the fan continues to wobble, please contact Customer Service **Support@parrotuncle.com** to order a complimentary Blade Balancing Kit

- If all deviations are less than 1/8 inch and the fan continues to wobble, please contact Customer Service **Support@parrotuncle.com** to order a complimentary Blade Balancing Kit

### 4. LIGHT IS NOT WORKING

Check Bulb to make sure it is installed correctly

Remove non-working bulb and replace with a bulb that is known to be a good working bulb

To reset the remote control: 1) Turn off power to fan using the wall switch or circuit breaker. 2) Remove batteries from remote. 3) Wait 10 seconds. 4) Replace batteries and turn power on



### AFTER INSTALLATION

#### WOBBLE”

The fan blades have been adjusted in the factory to minimize any wobble

**NOTE:CEILING FANS TEND TO MOVE DURING OPERATION DUE TO THE FACT THAT THEY ARE MOUNTED ON A RUBBER CROMMET. IF THE FAN WAS MOUNTED RIGIDLY TO THE CEILING, IT WOULD CAUSE EXCESS VIBRATION. MOVEMENT OF A FEW CENTIMENTERS IS QUITE ACCEPTABLE AND DOES NOT SUGGEST ANY PROBLEM**

**TO REDUCE THE FAN WOBBLE: PLEASE CHECK THAT ALL SCREWS WHICH SECURED THE MOUNTING BRACKET AND DOWNROD ARE SECURE.**

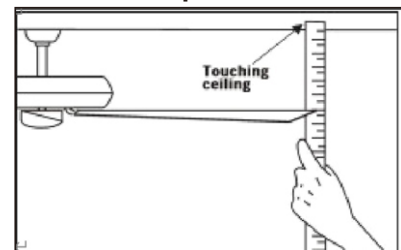
#### **BALANCING A WOBBLING CEILING FAN:**

For your convenience, a Balancing Kit is included; please follow this procedure when balancing the fan:

- 1.Check that all blade and blade arm screws are secure.
- 2.Most fan wobbling problems are caused when blade levels are unequal. Check this level by selecting a point on the ceiling above the tip of one of the blades. Measure this distance.Rotate the fan until the next blade is positioned for measurement. Repeat for each blade. The distance deviation should be equal within 1/8"(0.32cm).

3.Use the enclosed Blade Balancing Kit if the blade wobble is still noticeable.

4.If the blade wobble is still noticeable, interchanging two adjacent (side by side) blades can redistribute the weight and possibly result in smoother operation. **WARNING: TO REDUCE THE RISK OF PERSONAL INJURY, DO NOT BEND THE BLADE ARM WHILE INSTALLING, BALANCING THE BLADES, OR CLEANING THE FAN. DO NOT INSERT FOREIGN OBJECTS BETWEEN ROTATING FAN BLADES.**



#### NOISE

When it is quiet(especially at night) you may hear occasional small noises. This is normal. Please allow a 24-hour “breaking-in” period, most noises associated with a new fan disappear during the time.

#### CARE AND CLEANING

- 1.Periodic cleaning of your ceiling fan is the only maintenance required. Use a soft brush or lint free cloth to avoid scratching the paint finish. Please make sure to turn off electricity power before you clean your fan
- 2.Do not use water when cleaning your ceiling fan. It could damage the motor or the blades and create the possibility of an electrical shock.
- 3.Motor has permanently lubricated ball bearing. No need to oil

**NOTE: MAKE SURE THE POWER IS OFF AT THE ELECTRICAL PANEL BOX BEFORE YOU ATTEMPT ANY CLEANING OR REPAIRS.**

**Parrot  Uncle**