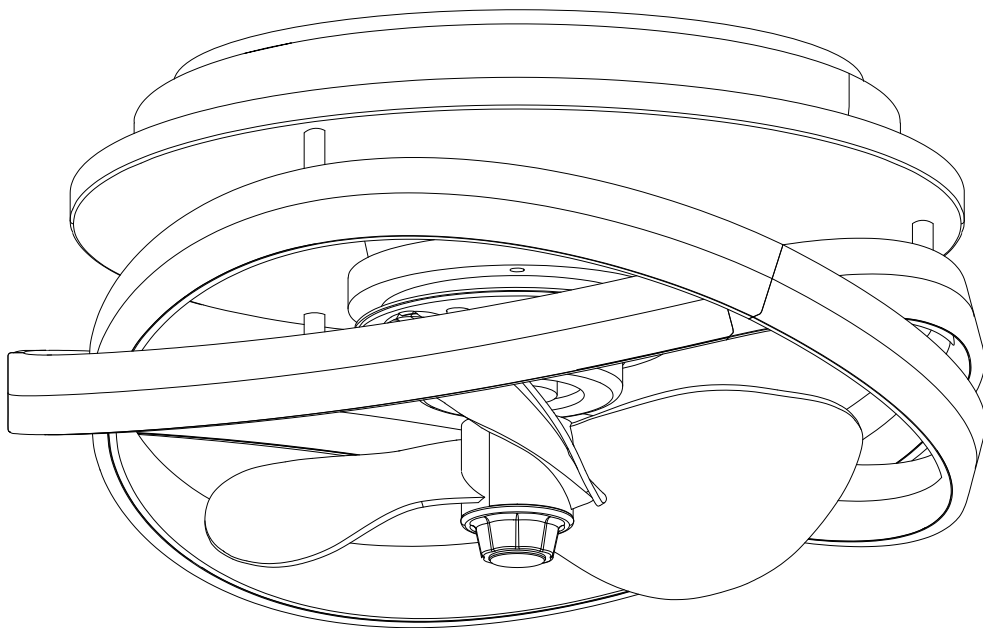




Parrot Uncle

# F8302110V



English / Español / Français

[www.parrotuncle.com](http://www.parrotuncle.com)




# Sicherheit information

1. To reduce the risk of an electrical blow, electricity on the protective switch or the safety box went out before starting.
2. All wiring must correspond to the NASI/NFPA 70-1999 National Electric Code and local electrical regulations. The electrical installation must be carried out by a qualified and approved electrician.
3. The connection box and support construction must be assembled safely and 35 pounds (15.9 kilos) must be able to transport reliably. Use only output boxes listed with labeling


"Accepted for fans with a weight of £ 35 (15.9 kilos) or less."

4. The fan must be installed with a minimum distance of 2.1 m (7 feet) from the posterior edge of the wings to the floor.
5. Do not operate the reverse switch if the fan wings are moving. You have to turn off the fan and stop the wings before reverse the direction of the wing.
6. Do not place objects on the road to wings.
7. To avoid lesions or damage to the fan and other objects, be careful if you work on the fan or clean it.
8. Electrical diagrams only serve as a reference. The lighting rates that are not delivered with the fan must be listed and marked with the valve model that will be installed for use. The switches must be general use switches UL. Take into account the instructions for the appropriate installation included in the lighting rates and the switches.
9. After the electrical connections have been made, the size staircase must be turned up and carefully push to the plug box. The cables must be distributed in such a way that the ground connected driver and the device head are next to the socket.


All fixing screws must be verified before installation and, if necessary, followed.




**WARNING:** To reduce the risk of injury, knife supports (also known as flanges) cannot be folded during installation or after installation. Do not put any object on the path of wings.




**WARNING:** Remove rubber motor attacks at the bottom of the fan before mounting the wings or try the engine.




**WARNING:** To avoid the risk of a fire or an electrical blow, this fan should not be used with a semiconductor speed controller.



**WARNING:** To avoid a possible electric shock, turn off the current in the main security box before wiring. If you feel that you do not have enough knowledge or experience in electrical wiring, communicate with a license electrician.



**WARNING:** Electrical diagrams only serve as a reference. The optional use of an lighting rate must be on the list and marked with this fan for use.



**WARNING:** To reduce the risk of fires, electrical discharges or injuries, assemble the device in a socket that with the inscription accepted for fans with a weight of £ 35) or less. It is marked and use the screws supplied with the plug.

**TECHNICAL INFORMATION**







SKU	Nominal voltage	Nominal output (motor)	light
F8302110V	110-120V AC	13W	1*LED MAX.18W

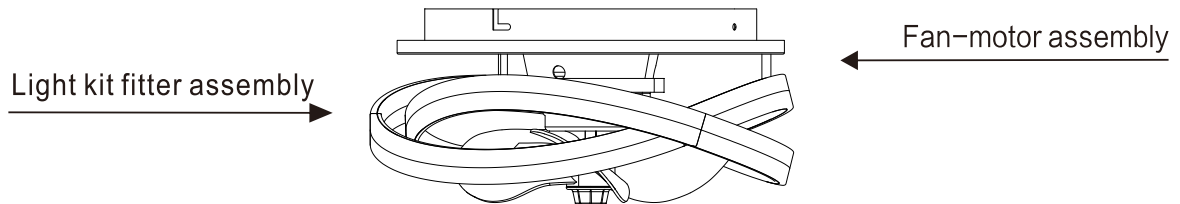
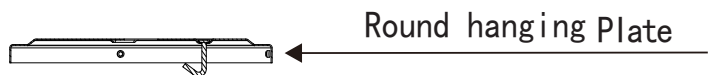
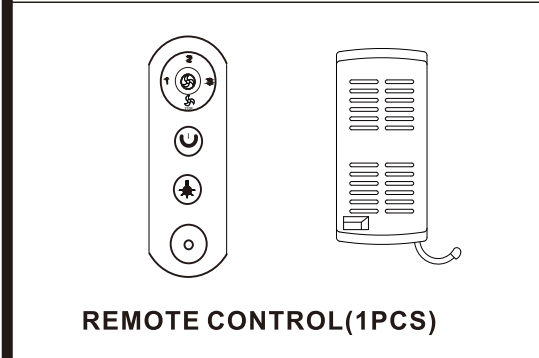


# F8302110V

Installation & Operating Instructions for the Parrotuncle Owner's Installation ,Manual

**WARNING: SHUT POWER OFF AT FUSE OR CIRCUIT BREAKER**

 <p><b>Wood screws (4PCS)</b></p>	 <p><b>washer (2PCS)</b></p>
 <p><b>Plastic wire nut (3PCS)</b></p>	 <p><b>spring washer (2PCS)</b></p>
 <p><b>Mounting screws (2PCS)</b></p>	 <p><b>Balanced parts package (1PCS)</b></p>



**Pls check whether above accessories are completed or not?Yes,and install.**



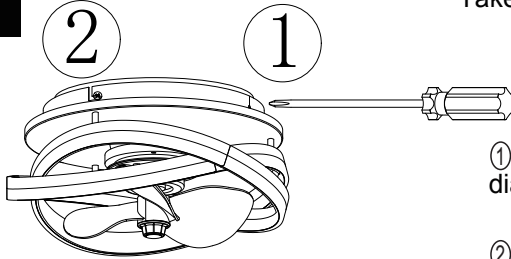
Parrot Uncle

# F8302110V

## Installation & Operating Instructions for the Parrotuncle Owner's Installation Manual

**WARNING: SHUT POWER OFF AT FUSE OR CIRCUIT BREAKER**

1



Take the finished F8302 out of the packing box and loosen the two screws

① on the opposite side of the disk plate, and the other "L" hole diagonal screw

② only half (no need to loosen completely).

2

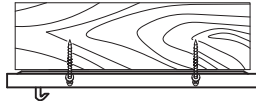
### INSTALLING THE FAN:

Tools Required: Phillips screwdriver, pair of pliers, straight slot screwdriver, adjustable wrench, step ladder, and wire cutters.

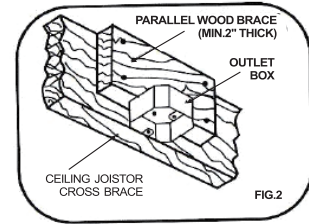
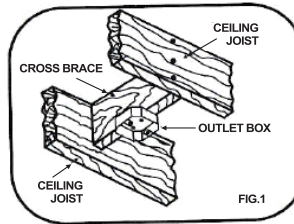
### INSTALLING THE MOUNTING BRACKET:

The ceiling fan must be installed in a location so that the blades are 12"(300mm) spacing from the tip of the blade to the nearest objects or walls. When hanging the Fan REMEMBER to turn off the power. Follow the instruction below to hang your fan properly:

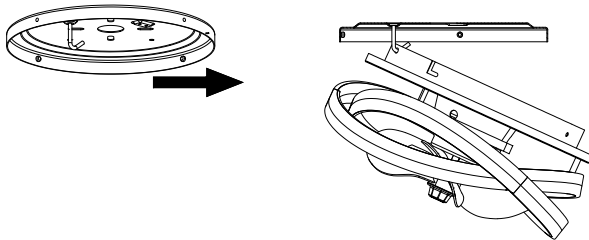
1. For wood ceiling, Secure the mounting bracket to the ceiling is capable of carrying a load of at least 100lbs(45kgs) with two long mounting screws and washers provided. Be sure at least 0.12"(30mm) of the screw is threaded into the support.



2. For installing to outlet box, secure the outlet box directly to the building structure. Use appropriate fasteners and building materials. The outlet box and its support must be able to fully support the moving weight of the fan(at least 100lbs). Use a UL listed metal outlet box. Do not use a plastic outlet box. Figure 1 & 2 examples to mount the outlet box.

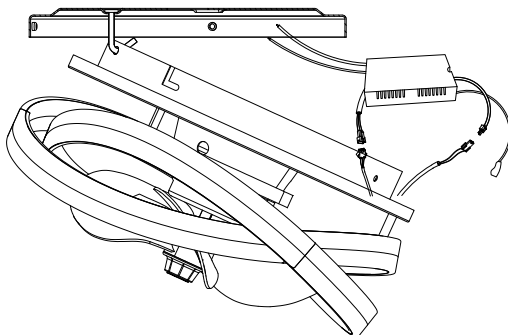


3



Hook the product into the fixed "L" hook of the disk plate,

4



According to the wiring diagram, plug the input end of the motor and the output end of the remote control well, the input blue and white line of the product and the output line of the remote control, and the input line of the remote control and the external Neutral Live wire.



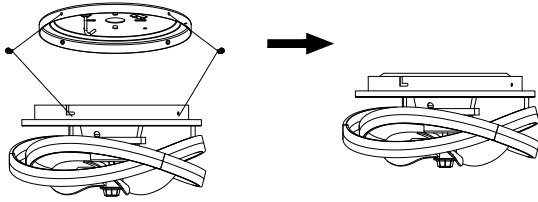
Parrot Uncle

## F8302110V

Installation & Operating Instructions for the  
Parrotuncle Owner's Installation ,Manual

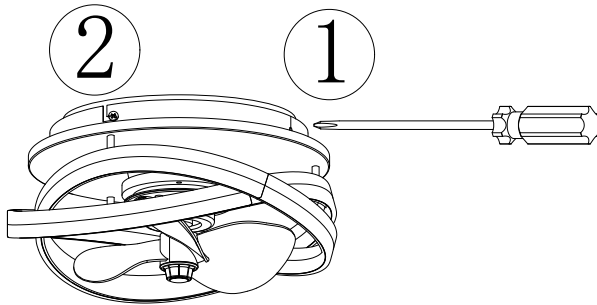
**WARNING: SHUT POWER OFF AT FUSE OR CIRCUIT BREAKER**

5



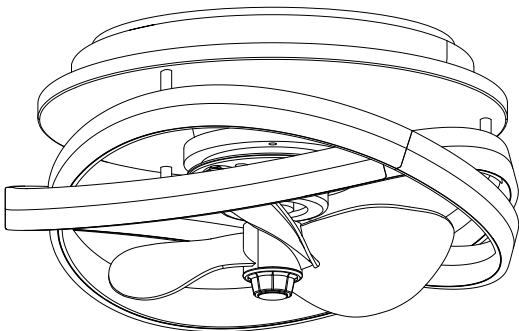
Take the fan product out of the hook, align the "L" shaped hole with the screw that has been loosened in half before, and put it on the top of the circular lift plate, and then turn it to the right, so that the fan is hooked on the lift plate

6



Tighten screws

7



The product in stalltion is complete



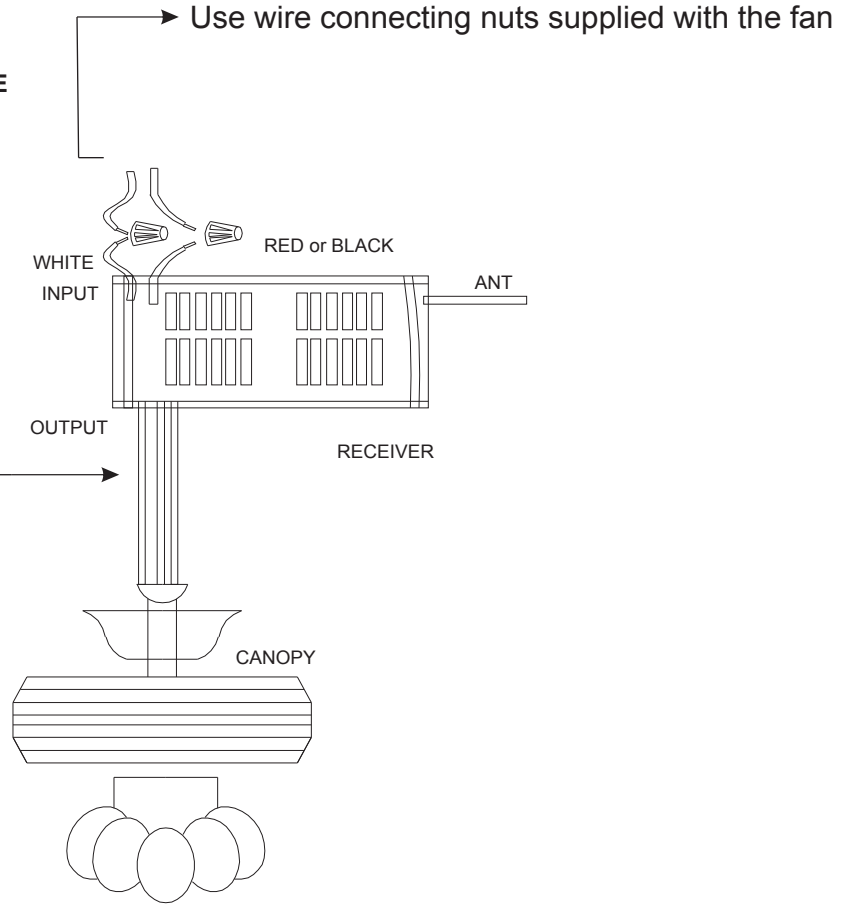
Parrot Uncle

# F8302110V

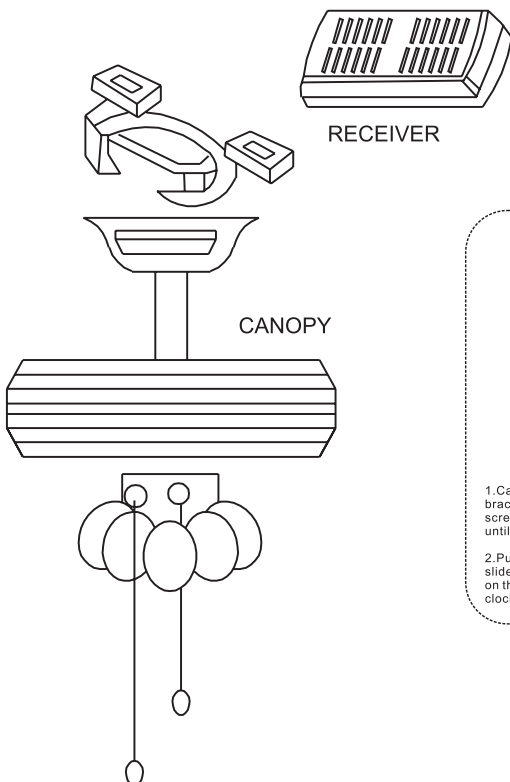
Installation & Operating Instructions for the Parrotuncle Owner's Installation ,Manual

**WARNING: SHUT POWER OFF AT FUSE OR CIRCUIT BREAKER**

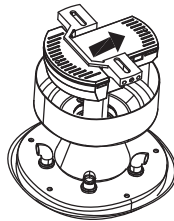
FROM POWER SOURCE  
AC 110- 120 VOLT 60Hz  
3.5AMPS.



Insert the corresponding port of the fan cable into the remote control .



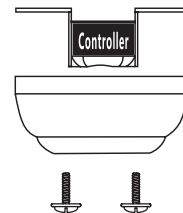
### Install remote control



1. Carefully push the canopy to the bottom of the mounting bracket, make two sliding holes aligned to the two prominent screws on the mounting bracket, and then turn clockwise until tight.
2. Push the canopy ring to the bottom of the canopy, slide the inner holes aligned to the two prominent screws on the mounting bracket again, and turn the canopy ring clockwise until tight.

### remote control <ONLY>

#### Preparing for mounting



- 1: Remove the mounting bracket from the canopy by loosening the two canopy screws located in the L shaped slots.
- 2: Remove and save the two canopy screws in the round holes. This will enable you to remove the mounting bracket

LIGHT MUST BE KEPT AT THE ON POSITION

FAN MUST BE KEPT AT THE HIGH SPEED



Parrot Uncle

**F8302110V**

Installation & Operating Instructions for the  
Parrotuncle Owner's Installation ,Manual

**WARNING: SHUT POWER OFF AT FUSE OR CIRCUIT BREAKER**

## Remote controller

# GENERAL INFORMATION

This remote controller is desianed to separatelv control vour ceilina fan speed and light on and off. There are four buttons(HI,MED, LoW,OFF) to control the speed of the fan and off. The light button will control the light on and off. The red indicator on the transmitter will light when one of the five buttons is pressed.

### INSTRUCTION OF INSTALLATIONAND OPERATION

#### 1.SETTING THE CODES

To set the codes, perform the following steps:

##### A.Setting the codes on the transmitter:

- Remove battery cover.Press firmly on the arrow and slide battery cover off.
- Slide code switches to your choice of up or down position.(Factory setting is all up. Do not use this position.Use a Small screwdriver or ball point pen to slide firmly up or down .

##### B.Setting the codes on the receiver:

The Learn Key must be pressed with in 30 seconds, after pressing the Power button.

If not, please press the Power button to restart.

Keep pressing the button learn key in excess of 3 second it becomes a LEARN status.

The receiver can remember the last codes status. The light flash two times.

#### 2.INSTALLING RECEIVER IN CEILING FAN

##### A.Safety precautions:

**WARNING: HIGH VOLTAGE!** Disconnect power by removing fuse or switching off circuit breaker.

Do not use with solid state fans.

Electrical wire must meet all local and national electrical code requirements.

Supply for fan must be 110/120 volt, 60Hz. Maximum fan motor amps: 1.0,Maximum light watts: 180 incandescent or ballast and LED.

Otherwise power can cause serious injury or death.

##### B.Installing receiver in fan:

- Remove power from the circuit.
- Remove ceiling fan canopy from the mounting bracket.
- Disconnect existing wiring between ceiling fan and Supply in electrical junction box.
- Make connections as follows, using the wire nuts supplied:

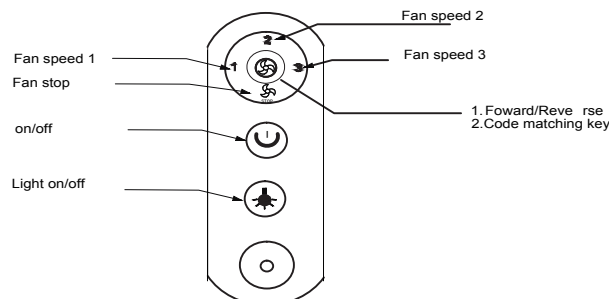
#### OP ERATING TRANSMITTER:

##### A.Install **CR2025** volt battery.

(To prevent d amage to transmitter, r emove the battery if not used for a long time).

##### B.Store the transm itter away from excessive heat or humidity.

##### C. Operating the buttons on the panel of the transmitter.



##### D. Setting the codes on the rec eiver:

- Code matching key: The operation is as follows: press this key to code matching within 5 seconds after the fan lamp is powered on. If the code matching is successful, the fan will make a "drop" sound; if not, repeat the action.



Parrot Uncle

**F8302110V**

Installation & Operating Instructions for the  
Parrotuncle Owner's Installation ,Manual

**WARNING: SHUT POWER OFF AT FUSE OR CIRCUIT BREAKER**

## **⚠ WARNING**

- **INGESTION HAZARD:** This product contains a button cell or coin battery.
- **DEATH** or serious injury can occur if ingested.
- A swallowed button cell or coin battery can cause **Internal Chemical Burns** in as little as 2 hours.
- **KEEP** new and used batteries **OUT OF REACH OF CHILDREN**
- **Seek immediate medical attention** if a battery is suspected to be swallowed or inserted inside any part of the body.



Remove and immediately recycle or dispose of used batteries according to local regulations and keep away from children. Do NOT dispose of batteries in household trash or incinerate.

Even used batteries may cause severe injury or death.

Call a local poison control center for treatment information.

Compatible battery type is CR2032, 3 V

Ensure the batteries are installed correctly with regard to polarity (+ and -).

Do not mix old and new batteries, different brands or types of batteries, such as alkaline, carbon-zinc, or rechargeable batteries

Non-rechargeable batteries are not to be recharged. Exhausted batteries are to be removed from the product.

Do not force discharge, recharge, disassemble, heat above (manufacturer's specified temperature rating) or incinerate. Doing so may result in injury due to venting, leakage or explosion resulting in chemical burns.

Remove and immediately recycle or dispose of batteries from equipment not used for an extended period of time according to local regulations.

Always completely secure the battery compartment. If the battery compartment does not close securely, stop using the product, remove the batteries, and keep them away from children.

 **WARNING INGESTION HAZARD:** This product contains a button cell or coin battery.

## **⚠ ADVERTENCIA**

- **PELIGRO DE INGESTIÓN:** Este producto contiene una batería (pila) en forma de botón o moneda
- Si se ingiere, puede causar la **MUERTE** o lesiones graves
- La ingestión de la batería en forma de botón o moneda puede causar **Quemaduras Químicas Internas** en tan solo 2 horas.
- **MANTENGA** las baterías nuevas y usadas **FUERA DEL ALCANCE DE LOS NIÑOS**
- **Busque atención médica inmediata** si se sospecha que una batería ha sido ingerida o introducida en cualquier parte del cuerpo.



Remueva las baterías (pilas) usadas y recíclelas o deséchelas inmediatamente de acuerdo con los reglamentos locales y manténgalas fuera del alcance de los niños. NO tire las baterías al recipiente de basura doméstica ni las incinere.

Incluso las baterías usadas pueden causar lesiones graves o la muerte.

Llame a un centro de toxicología local para obtener información sobre el tratamiento.

Tipo de batería compatible CR2032, 3 V

Asegúrese que las pilas estén bien colocadas respecto a la polaridad (+ y -).

No mezcle baterías viejas y nuevas, de diferentes marcas o tipos de baterías, tal como las baterías alcalinas, de carbono-zinc, o recargables

Las baterías no-recargables no se deben recargar. Las baterías gastadas se deben sacar del producto.

No fuerce la descarga, no recargue, no desensamble, no caliente por encima de la capacidad de temperatura especificada por el fabricante ni incinere. Hacerlo puede causar lesiones debido al desfogue, fuga o explosión que podrían causar quemaduras químicas.

Remueva y recicle o deseché inmediatamente las baterías de equipos que no se hayan utilizado durante un período prolongado de tiempo, de acuerdo con los reglamentos locales.

Siempre cierre por completo el compartimiento de las baterías. Si el compartimiento de las baterías no está bien cerrado, deje de usar el producto, extraiga las baterías y manténgalas fuera del alcance de los niños.

 **ADVERTENCIA PELIGRO DE INGESTIÓN:** Este producto contiene una batería (pila) en forma de botón o moneda.





Parrot Uncle

**F8302110V**

Installation & Operating Instructions for the  
Parrotuncle Owner's Installation ,Manual

**WARNING: SHUT POWER OFF AT FUSE OR CIRCUIT BREAKER**

## **AVERTISSEMENT**

- **RISQUE D'INGESTION** : Ce produit contient une pile bouton ou de type 'pièce de monnaie'.
- **La MORT** ou des blessures graves peuvent survenir en cas d'ingestion.
- Une pile bouton ou de type 'pièce de monnaie' avalée peut provoquer des **brûlures chimiques internes** en seulement deux heures.
- **GARDER** les piles neuves et usagées **HORS DE PORTÉE DES ENFANTS**
- **Consultez immédiatement un médecin** si vous soupçonnez qu'une pile a été avalée ou insérée dans une partie du corps.



Retirez les piles usagées et recyclez-les ou mettez-les au rebut immédiatement, conformément aux réglementations locales. Gardez-les hors de portée des enfants. Ne PAS jeter les piles dans les ordures ménagères ni les incinérer.

Des piles même usagées peuvent provoquer des blessures graves, voire la mort.

Appelez un centre antipoison local pour obtenir des informations sur le traitement à suivre.

Type de batterie compatible CR2032, 3 V

Correctement en respectant la polarité (+ et -).

Ne pas mélanger des piles usagées et des piles neuves, ni des marques ou types de piles différents, comme des piles alcalines, des piles carbone-zinc ou des piles rechargeables.

Les piles non rechargeables ne doivent pas être rechargées. Les piles épuisées doivent être retirées de l'appareil.

Ne pas décharger de force, recharger, démonter, chauffer au-delà de la température spécifiée par le fabricant, ni incinérer. Cela pourrait entraîner des blessures dues à l'événement, à une fuite ou une explosion, entraînant des brûlures chimiques.

Retirez et recyclez ou éliminez immédiatement les piles des équipements non utilisés pendant une période prolongée, conformément aux réglementations locales.

Sécurisez toujours complètement le compartiment des piles. Si le compartiment des piles ne se ferme pas correctement, cessez toute utilisation du produit, retirez les piles et gardez-les hors de portée des enfants.

 **AVERTISSEMENT RISQUE D'INGESTION** : Ce produit contient une pile bouton ou de type 'pièce de monnaie'.



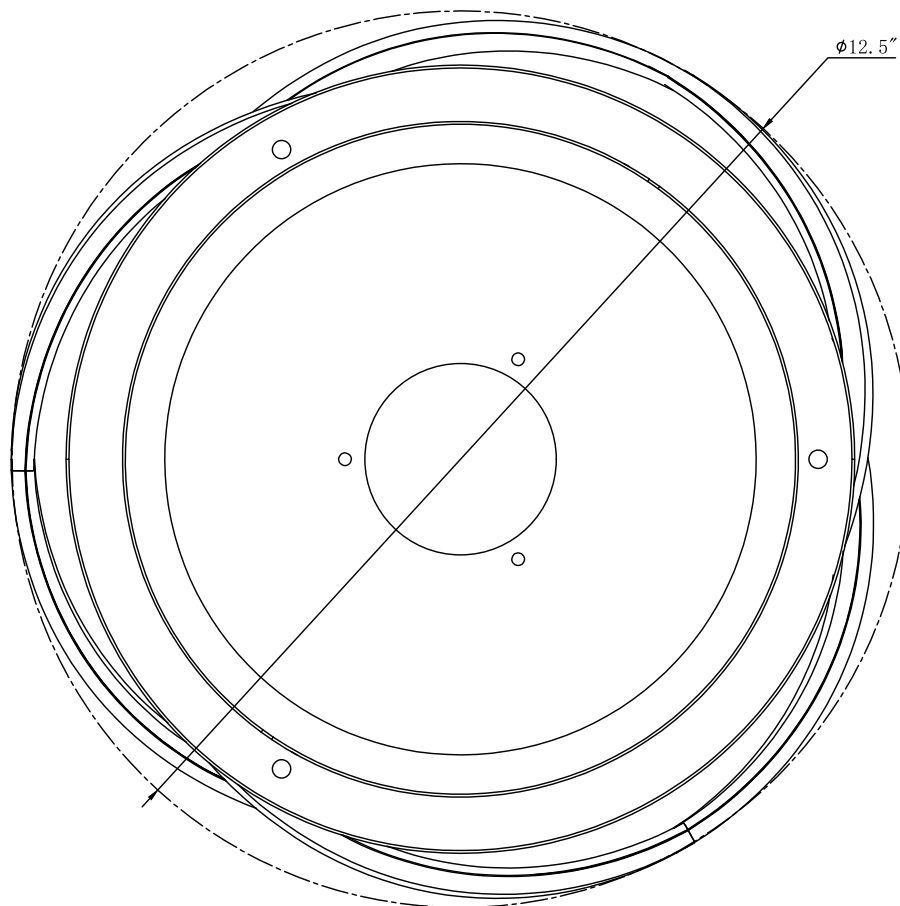
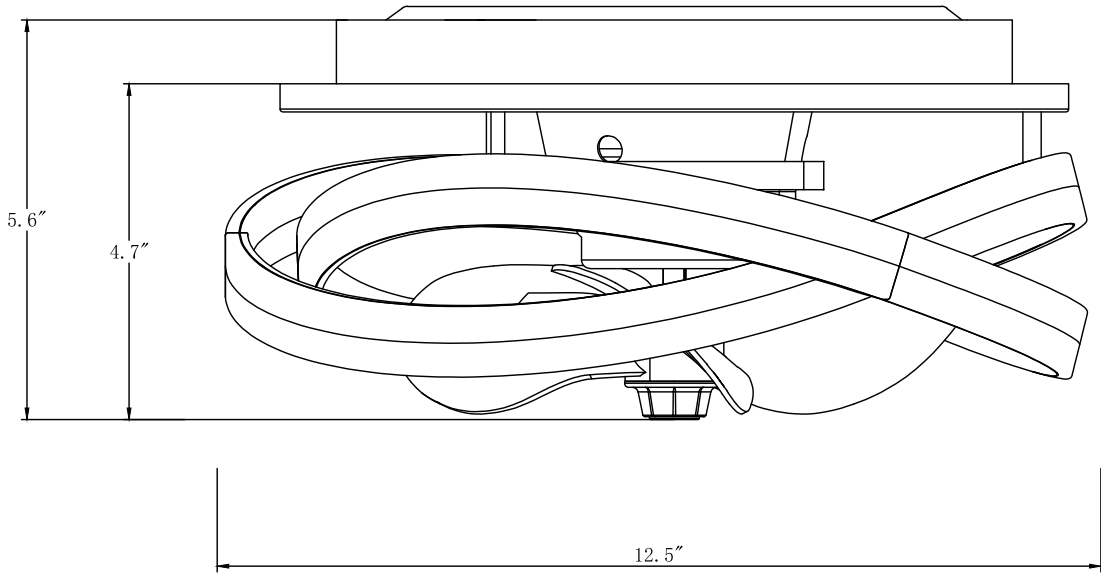
Parrot Uncle

**F8302110V**

Installation & Operating Instructions for the  
Parrotuncle Owner's Installation ,Manual

**WARNING: SHUT POWER OFF AT FUSE OR CIRCUIT BREAKER**

## size of product





**Parrot Uncle**

## **F8302110V**

Installation & Operating Instructions for the  
Parrotuncle Owner's Installation ,Manual

**WARNING: SHUT POWER OFF AT FUSE OR CIRCUIT BREAKER**

### **AFTER INSTALLATION**

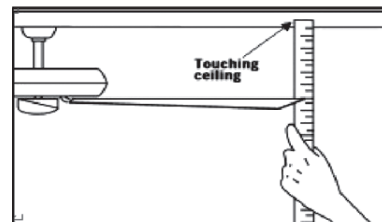
#### **WOBBLE”**

The fan blades have been adjusted in the factory to minimize any wobble

**NOTE:CEILING FANS TEND TO MOVE DURING OPERATION DUE TO THE FACT THAT THEY ARE MOUNTED ON A RUBBER CROMMET. IF THE FAN WAS MOUNTED RIGIDLY TO THE CEILING, IT WOULD CAUSE EXCESS VIBRATION. MOVEMENT OF A FEW CENTIMENTERS IS QUITE ACCEPTABLE AND DOES NOT SUGGEST ANY PROBLEM**

**TO REDUCE THE FAN WOBBLE: PLEASE CHECK THAT ALL SCREWS WHICH SECURED THE MOUNTING BRACKET AND DOWNROD ARE SECURE.  
BALANCING A WOBBLING CEILING FAN:**

- 1.Check that all blade and blade arm screws are secure.
2. Most fan wobbling problems are caused when blade levels are unequal. Check this level by selecting a point on the ceiling above the tip of one of the blades. Measure this distance. Rotate the fan until the next blade is positioned for measurement. Repeat for each blade. The distance deviation should be equal within 1/8"(0.32cm).



- 3.If the blade wobble is still noticeable, interchanging two adjacent (side by side) blades can redistribute the weight

and possibly result in smoother operation. **WARNING: TO REDUCE THE RISK OF PERSONAL INJURY, DO NOT BEND THE BLADE ARM WHILE INSTALLING, BALANCING THE BLADES, OR CLEANING THE FAN. DO NOT INSERT FOREIGN OBJECTS BETWEEN ROTATING FAN BLADES.**

#### **NOISE**

When it is quiet(especially at night) you may hear occasional small noises. This is normal. Please allow a 24-hour “breaking-in” period, most noises associated with a new fan disappear during the time.

#### **CARE AND CLEANING**

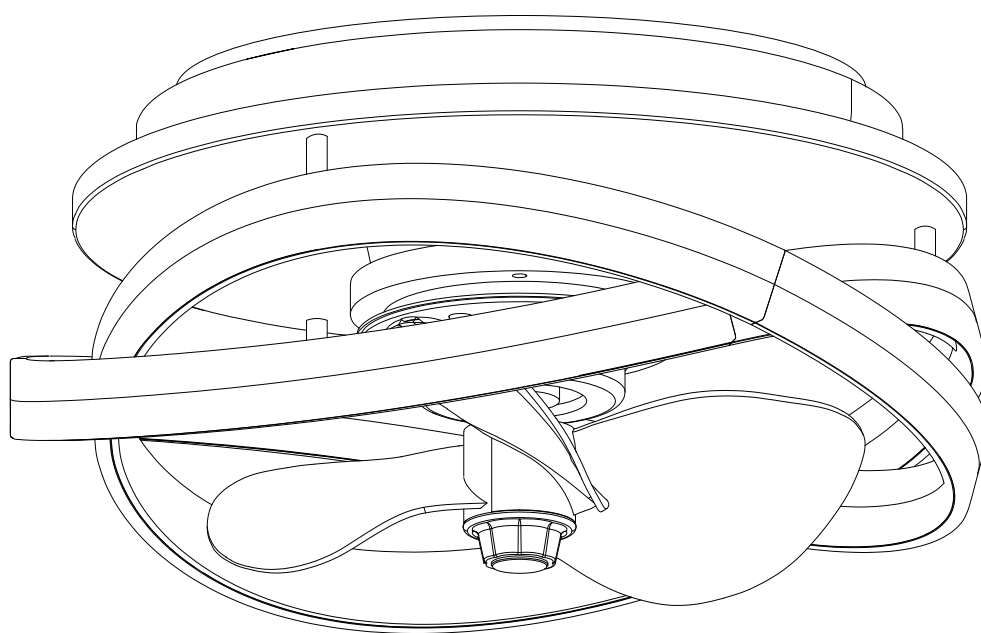
- 1.Periodic cleaning of your ceiling fan is the only maintenance required. Use a soft brush or lint free cloth to avoid scratching the paint finish. Please make sure to turn o☒ electricity power before you clean your fan
- 2.Do not use water when cleaning your ceiling fan. It could damage the motor or the blades and create the possibility of an electrical shock.
- 3.Motor has permanently lubricated ball bearing. No need to oil

**NOTE: MAKE SURE THE POWER IS OFF AT THE ELECTRICAL PANEL BOX BEFORE YOU ATTEMPT ANY CLEANING OR REPAIRS.**



Parrot Uncle

# F8302110V



English / Español / Français



Parrot Uncle

F8302110V

Instrucciones de instalación y funcionamiento del parrotuncle Propietarios Instalación ,Manual

ADVERTENCIA: CORTE LA CORRIENTE CON EL FUSIBLE O EL DISYUNTOR

## Información de seguridad

1. Para reducir el riesgo de descarga eléctrica, debe desconectarse la electricidad del interruptor de protección o de la caja de seguridad antes de arrancar.
2. Todo el cableado debe cumplir el Código Eléctrico Nacional NASI/NFPA 70-1999 y las normativas eléctricas locales. La instalación eléctrica debe ser realizada por un electricista cualificado y autorizado.
3. La caja de conexiones y la estructura de soporte deben estar montadas de forma segura y deben poder transportarse de forma fiable con un peso de 15,9 kilos. Utilice únicamente cajas de conexión marcadas con "Aceptado para ventiladores con un peso igual o inferior a 35 libras (15,9 kilos)".
4. El ventilador debe instalarse con una distancia mínima de 2,1 m entre el borde posterior de las aletas y el suelo.
5. No accione el interruptor de marcha atrás si las aspas del ventilador están en movimiento. Debe apagar el ventilador y detener las aspas antes de invertir la dirección de las aspas.
6. No coloque ningún objeto en la trayectoria de las alas.
7. Para evitar lesiones o daños al ventilador y a otros objetos, tenga cuidado cuando trabaje o limpie el ventilador.
8. Los diagramas eléctricos son sólo para referencia. Los tipos de iluminación no suministrados con el ventilador deben estar listados y marcados con el modelo de válvula que se instalará para su uso. Los interruptores deben ser interruptores UL de uso general. Observe las instrucciones para una instalación adecuada incluidas con los índices de iluminación y los interruptores.
9. Una vez realizadas las conexiones eléctricas, se debe dar la vuelta a la escalera de poda e introducirla cuidadosamente en la caja de enchufes. Los cables deben tenderse de forma que el conductor de puesta a tierra y la cabeza del aparato queden cerca del enchufe.

Antes de la instalación, compruebe todos los tornillos de fijación y, si es necesario, apriételes.



**ADVERTENCIA:**

Para reducir el riesgo de lesiones, los soportes de las cuchillas (también conocidos como abrazaderas) no deben doblarse durante ni después de la instalación. No coloque ningún objeto en la trayectoria de las aspas.



**ADVERTENCIA:**

Retire los ataques de goma del motor situados en la parte inferior del ventilador antes de montar las aspas o probar el motor.



**ADVERTENCIA:**

Para evitar el riesgo de incendio o descarga eléctrica, este ventilador no debe utilizarse con un variador de velocidad de estado sólido.



**ADVERTENCIA:**

Para evitar el riesgo de descarga eléctrica, desconecte la alimentación de la caja de seguridad principal antes de realizar el cableado. Si considera que no tiene suficientes conocimientos o experiencia en cableado eléctrico, póngase en contacto con un electricista autorizado.



**ADVERTENCIA:**

Los esquemas eléctricos son sólo de referencia. El uso opcional de un tipo de luz debe ser listado y marcado con este ventilador para su uso.



**ADVERTENCIA:**

Para reducir el riesgo de incendio, descarga eléctrica o lesiones, conecte el aparato a una toma de corriente que esté marcada como aceptada para ventiladores de 35 libras o menos. Está marcado y utilice los tornillos suministrados con el enchufe.

### INFORMACIÓN TÉCNICA

SKU	Tensión nominal	Potencia nominal (motor)	Iluminación
F8302110V	110-120V AC	13W	1*LED MAX.18W



Parrot Uncle

## F8302110V

Instrucciones de instalación y funcionamiento del  
parrotuncle Propietarios Instalación ,Manual

**ADVERTENCIA: CORTE LA CORRIENTE CON EL FUSIBLE O EL DISYUNTOR**



Tornillos para madera (4pzas)



Tuerca de alambre de plástico (3pzas)



Tornillo de montaje (2pzas)



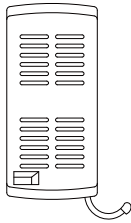
Arandela (2pzas)



Arandela elástica (2pzas)



**Paquete de piezas  
equilibradas  
(1PZA)**

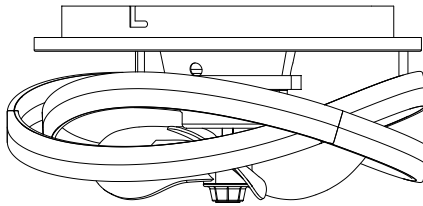


MANDO A DISTANCIA (1 pza)



Placa de suspensión redonda

Conjunto del kit de luces



Conjunto del motor del ventilador

Compruebe si los accesorios anteriores están completos o no. Sí, e instálelos.



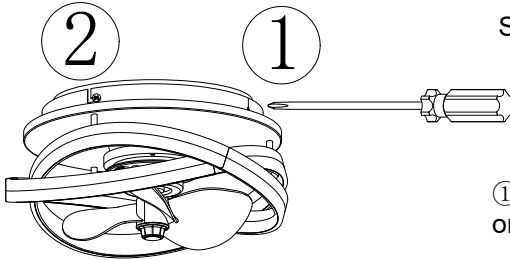
Parrot Uncle

# F8302110V

Instrucciones de instalación y funcionamiento del parrotuncle Propietarios Instalación ,Manual

**ADVERTENCIA: CORTE LA CORRIENTE CON EL FUSIBLE O EL DISYUNTOR**

1



Saque el F8302 acabado de la caja de embalaje y afloje los dos tornillos

① del lado opuesto de la placa del disco, y el otro tornillo diagonal con orificio en "L"

② sólo la mitad (no es necesario aflojarlos completamente).

2

### INSTALACIÓN DEL VENTILADOR :

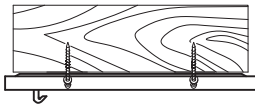
Herramientas necesarias: destornillador Phillips, alicates, destornillador recto, llave ajustable, escalera de mano y cortaalambres.

### INSTALACIÓN DEL SOPORTE DE MONTAJE :

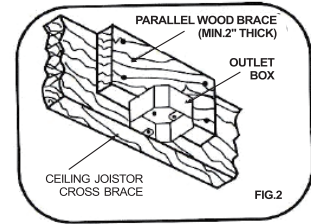
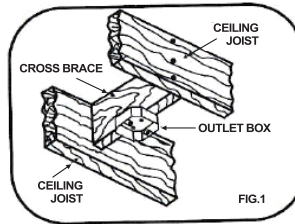
El ventilador de techo debe instalarse en un lugar donde las aspas estén separadas 300 mm (12 pulg.) de los objetos o paredes más cercanos. Cuando cuelgue el ventilador, RECUERDE apagarlo.

Siga las siguientes instrucciones para colgar el ventilador correctamente:

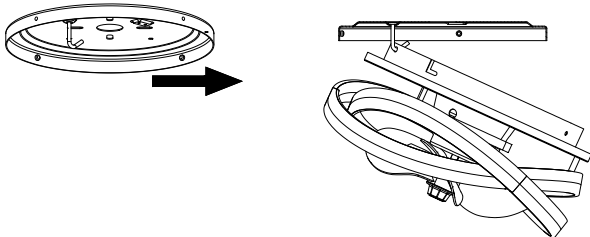
1. Para techos de madera, fije el soporte de montaje al techo, capaz de soportar una carga de al menos 45 kg, utilizando los dos tornillos de montaje largos y las arandelas suministradas. Asegúrese de que al menos 30 mm del tornillo queden atornillados en el soporte.



2. Para la instalación de la caja de salida, fjela directamente a la estructura del edificio. Utilice yeso y materiales de construcción adecuados. La caja de salida y su soporte deben poder soportar completamente el peso del ventilador en movimiento (al menos 100 libras). Utilice una caja de salida metálica con certificación UL. No utilice cajas de salida de plástico. Figura 1 y 2 ejemplos de montaje de la caja de salida.

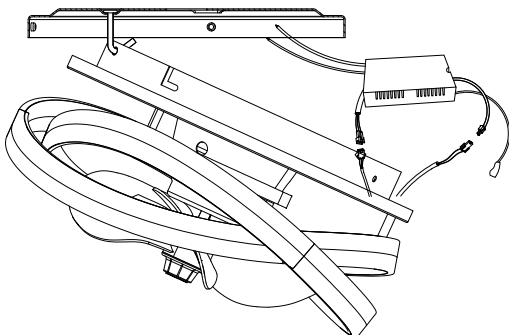


3



Enganche el producto en el gancho fijo en "L" de la placa del disco

4



De acuerdo con el diagrama de cableado, enchufe bien el extremo de entrada del motor y el extremo de salida del mando a distancia, la línea azul y blanca de entrada del producto y la línea de salida del mando a distancia, y la línea de entrada del mando a distancia y el cable Neutro Vivo externo.



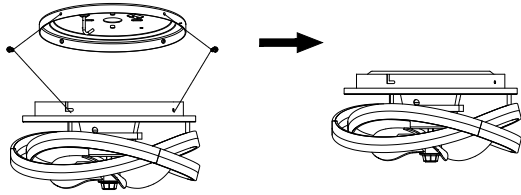
Parrot Uncle

## F8302110V

Instrucciones de instalación y funcionamiento del  
parrotuncle Propietarios Instalación ,Manual

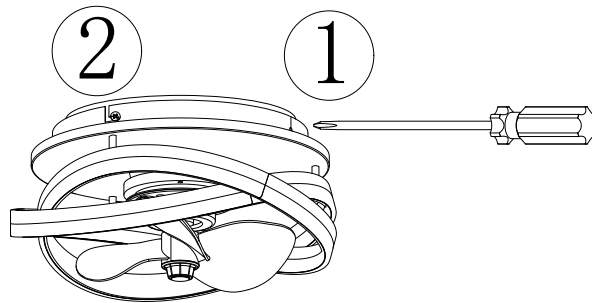
**ADVERTENCIA: CORTE LA CORRIENTE CON EL FUSIBLE O EL DISYUNTOR**

5



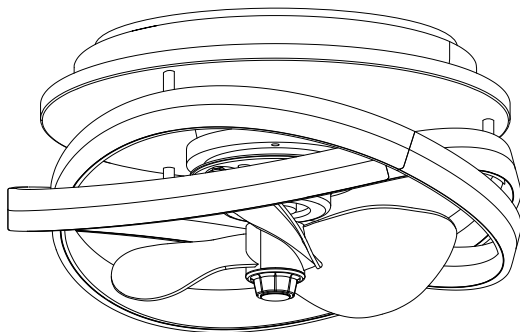
Saque el producto ventilador del gancho, alinee el orificio en forma de "L" con el tornillo que se ha aflojado por la mitad anteriormente y colóquelo en la parte superior de la placa de elevación circular y, a continuación, gírelo hacia la derecha, de modo que el ventilador quede enganchado en la placa de elevación

6



Apriete los tornillos.

7



La instalación del producto está completa





Parrot Uncle

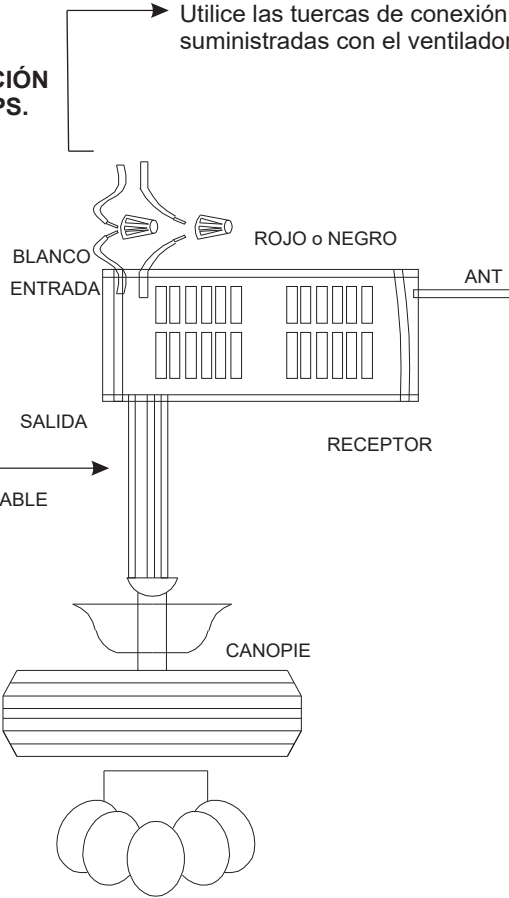
# F8302110V

Instrucciones de instalación y funcionamiento del parrotuncle Propietarios Instalación ,Manual

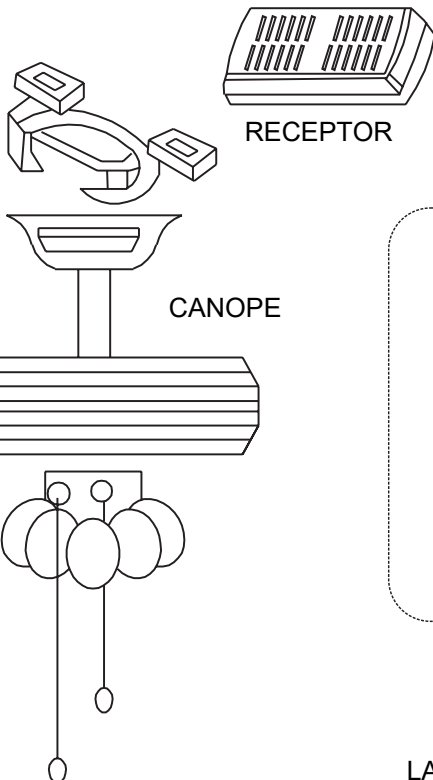
**ADVERTENCIA: CORTE LA CORRIENTE CON EL FUSIBLE O EL DISYUNTOR**

DE LA FUENTE DE ALIMENTACIÓN  
AC 110- 120 VOLT 60Hz 3.5AMPS.

Utilice las tuercas de conexión de cables suministradas con el ventilador.

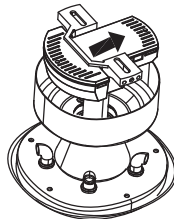


Inserte el puerto correspondiente del cable del ventilador en el mando a distancia mando a distancia

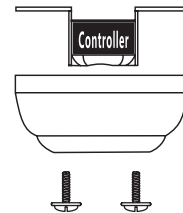


1. Empuje suavemente el dosel hacia la parte inferior del soporte de montaje, deslice los dos orificios alineados sobre los dos tornillos prominentes del soporte de montaje, luego gire en el sentido de las agujas del reloj hasta que quede ajustado.
2. Empuje el anillo de la capota hacia la parte inferior de la capota. deslice los agujeros interiores alineados sobre los dos tornillos prominentes del soporte de montaje, y gire el anillo de la capota en el sentido de las agujas del reloj hasta que quede ajustado.

Instale el mando a distancia



Mando a distancia <Sólo>  
Preparación para la instalación



1. Retire el soporte de montaje de la capota aflojando los dos tornillos de la capota situados en las ranuras en forma de L. aflojando los dos tornillos de la capota situados en las ranuras en forma de L.
2. Retire y guarde los dos tornillos del toldo situados en los orificios redondos. Esto le permitirá retirar el soporte de montaje.

LA LUZ DEBE MANTENERSE EN LA POSICIÓN DE ENCENDIDO  
EL VENTILADOR DEBE MANTENERSE EN LA POSICIÓN DE ARRIBA



Parrot Uncle

F8302110V

Instrucciones de instalación y funcionamiento del parrotuncle Propietarios Instalación ,Manual

ADVERTENCIA: CORTE LA CORRIENTE CON EL FUSIBLE O EL DISYUNTOR

## Mando a distancia INFORMACIÓN GENERAL

Este mando a distancia está diseñado para controlar por separado la velocidad de su ventilador de techo y el encendido y apagado de la luz.  
Cuatro botones (ALTO, MEDIO, BAJO, APAGADO) controlan la velocidad del ventilador y lo apagan.  
El botón de la luz enciende y apaga la iluminación.  
El indicador rojo del transmisor se enciende cuando se pulsa uno de los cinco botones.

### INSTRUCCIONES DE INSTALACIÓN Y FUNCIONAMIENTO

#### 1.CONFIGURACIÓN DE LOS CÓDIGOS

Para ajustar los códigos, proceda de la siguiente manera:

A.Ajuste de los códigos en el transmisor :

- Retire la tapa de las pilas. Presione firmemente la flecha y deslice la tapa de las pilas.
- Deslice los interruptores de códigos hacia arriba o hacia abajo (el ajuste de fábrica está en la parte superior, no utilice esta posición). Utilice un pequeño destornillador o birlos para deslizar firmemente hacia arriba o hacia abajo.

B.Ajuste de los códigos en el receptor :

- El botón de aprendizaje debe pulsarse en los 30 segundos siguientes a la pulsación del botón de encendido.  
Si no es así, pulse el botón de encendido para reiniciar.  
Si se pulsa el botón de aprendizaje durante más de 3 segundos, el receptor entrará en estado de APRENDIZAJE.  
El receptor puede almacenar los últimos códigos. La luz parpadeará dos veces.

#### 2.INSTALACIÓN DEL RECEPTOR EN EL VENTILADOR DE TECHO

A.Precauciones de seguridad:

- ADVERTENCIA: ¡ALTA TENSIÓN!** Desconecte la alimentación quitando el fusible o desconectando el disyuntor.  
No utilizar con ventiladores de estado sólido.  
El cable eléctrico debe cumplir todos los locales y nacionales.  
El suministro para el ventilador debe ser de 110/120 voltios, 60 Hz.  
Máximo amperios del motor del ventilador: 1,0, Vatios de luz máximos: 180 incandescente o balasto y LED.  
De lo contrario la electricidad puede causar lesiones graves o la muerte.

B.Instalación del receptor en el ventilador:

- Desconecte la alimentación del circuito.
- Retire la cubierta del ventilador de techo del soporte de montaje.
- Desconecte el cableado existente entre el ventilador de techo y el suministro en la caja de conexiones eléctricas.
- Realice las conexiones como se indica a continuación, utilizando las tuercas para cables suministradas:

A.Instale la pila CR2025 voltios.

(Para evitar daños en el transmisor, retire la pila si no va a utilizarlo durante un periodo prolongado).

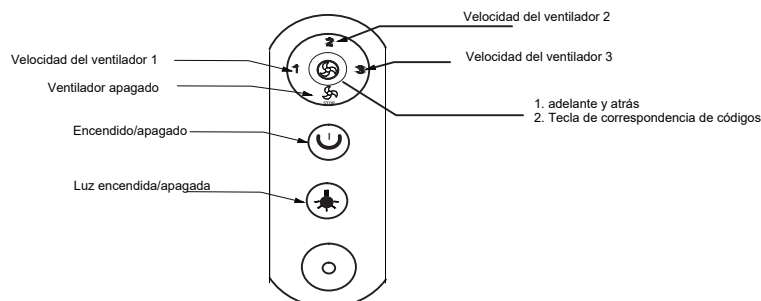
B.Guarde el transmisor alejado del calor o la humedad excesivos.

C. Accione los botones del panel del transmisor.

D.Ajuste de los códigos en el receptor:

1. Tecla de ajuste de códigos: El funcionamiento es el siguiente:

pulse esta tecla para ajustar el código en los 5 segundos siguientes al encendido de la lámpara del ventilador.  
Si el código es correcto, el ventilador emitirá un sonido de "di"; si no, repita la acción.



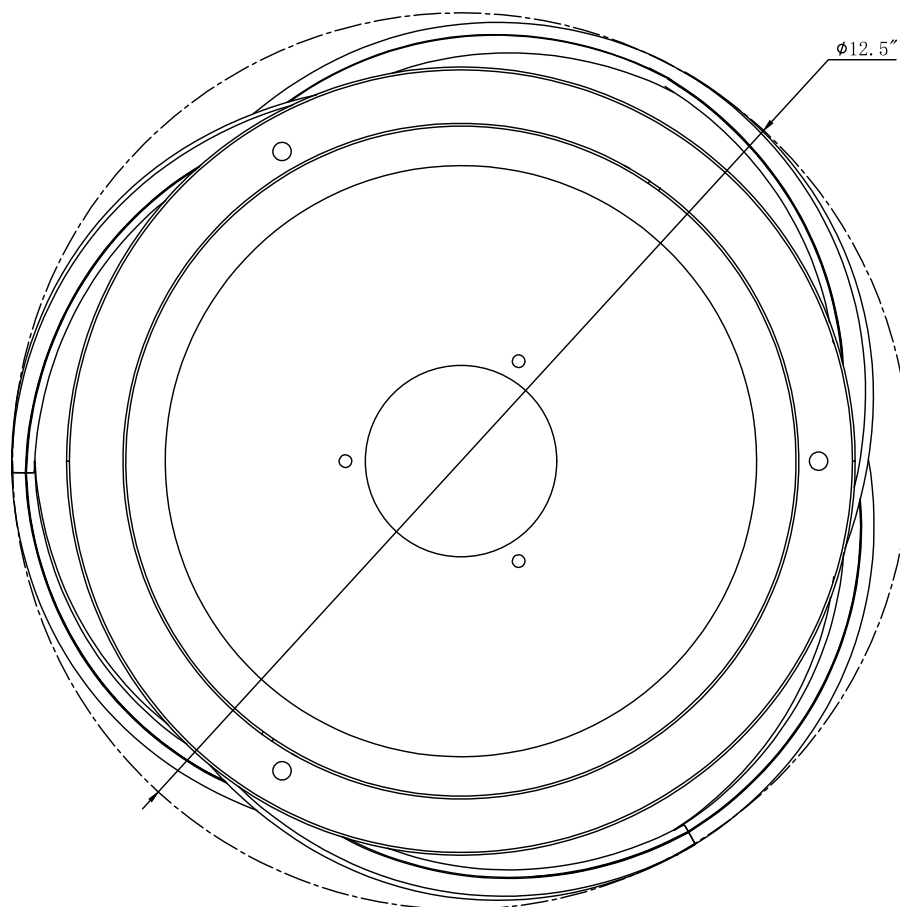
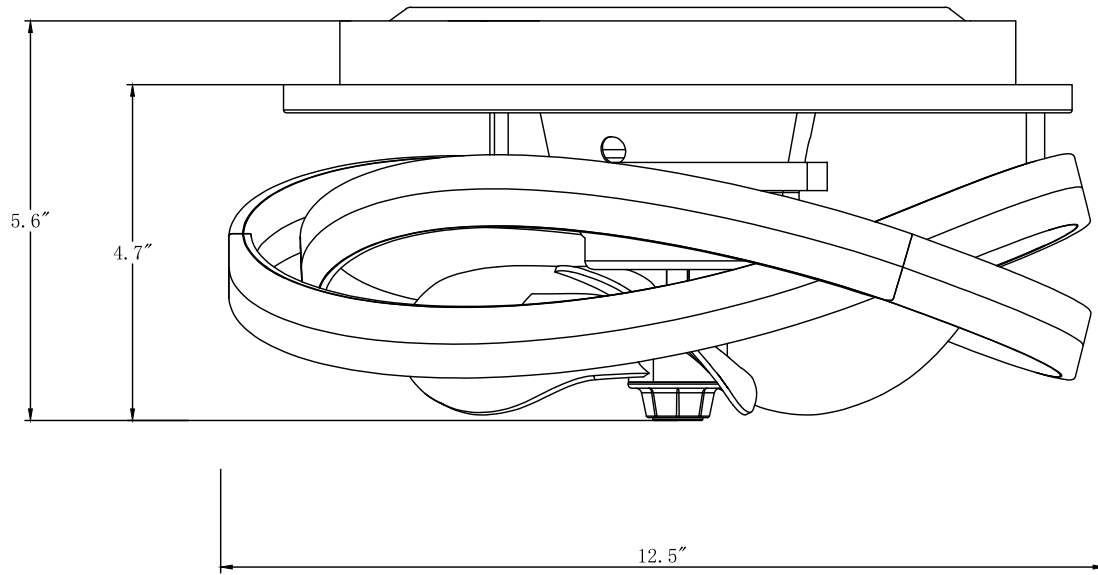


**F8302110V**

Instrucciones de instalación y funcionamiento del  
parrotuncle Propietarios Instalación ,Manual

**ADVERTENCIA: CORTE LA CORRIENTE CON EL FUSIBLE O EL DISYUNTOR**

**dimensión del producto**





Parrot Uncle

**F8302110V**

Instrucciones de instalación y funcionamiento del  
parrotuncle Propietarios Instalación ,Manual

**ADVERTENCIA: CORTE LA CORRIENTE CON EL FUSIBLE O EL DISYUNTOR**

## DESPUÉS DE LA INSTALACIÓN

### OSCILACIÓN"

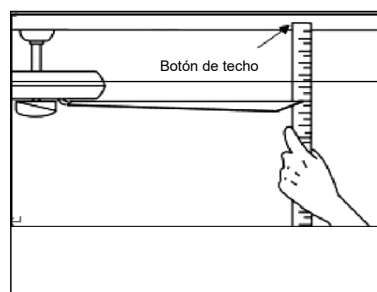
Las aspas del ventilador han sido ajustadas en fábrica para minimizar cualquier oscilación.

NOTA: LOS VENTILADORES DE TECHO TIENDEN A MOVERSE DURANTE SU FUNCIONAMIENTO PORQUE ESTÁN MONTADOS SOBRE UNA ARANDELA DE GOMA. SI EL VENTILADOR ESTUVIERA MONTADO RÍGIDAMENTE EN EL TECHO, PROVOCARÍA VIBRACIONES EXCESIVAS. UN MOVIMIENTO DE POCOS CENTÍMETROS ES PERFECTAMENTE ACEPTABLE Y NO PLANTEA NINGÚN PROBLEMA. PARA REDUCIR LA OSCILACIÓN DEL VENTILADOR: COMPRUEBE QUE TODOS LOS TORNILLOS QUE FIJARON EL MONTAJE EL SOPORTE Y LA VARILLA ESTÁN BIEN FIJADOS.

EQUILIBRAR UN VENTILADOR DE TECHO OSCILANTE:

1. Compruebe que todos los tornillos de las aspas y del brazo de las aspas están bien apretados.
2. La mayoría de los problemas de oscilación del ventilador se deben a un desnivel en el nivel de las aspas. Compruebe este nivel eligiendo un punto en el techo por encima de la punta de una de las aspas. Mida esta distancia. Gire el ventilador hasta que el siguiente aspa esté posicionada para la medición. Repita el procedimiento para cada aspa. La distancia debe ser de 0,32 cm.

3. si la oscilación de las aspas sigue siendo perceptible, intercambiar dos aspas adyacentes (una al lado de la otra ) puede redistribuir el espacio entre las aspas. dos aspas adyacentes (una al lado de la otra) puede redistribuir el peso y posiblemente permitir un funcionamiento más suave.



**ADVERTENCIA: PARA REDUCIR EL RIESGO DE LESIONES, NO DOBLE EL BRAZO DE LAS ASPAS CUANDO INSTALE, EQUILIBRE LAS ASPAS O LIMPIE EL VENTILADOR. NO INTRODUZCA OBJETOS EXTRAÑOS ENTRE LAS ASPAS GIRATORIAS DEL VENTILADOR.**

### RUIDO

Con tiempo tranquilo (especialmente por la noche), es posible que oiga pequeños ruidos ocasionales. Esto es normal. Permita un período de rodaje de 24 horas; la mayoría de los ruidos asociados con un ventilador nuevo desaparecen durante este período. La mayoría de los ruidos asociados a un ventilador nuevo desaparecen durante este periodo.

### 7 MANTENIMIENTO Y LIMPIEZA

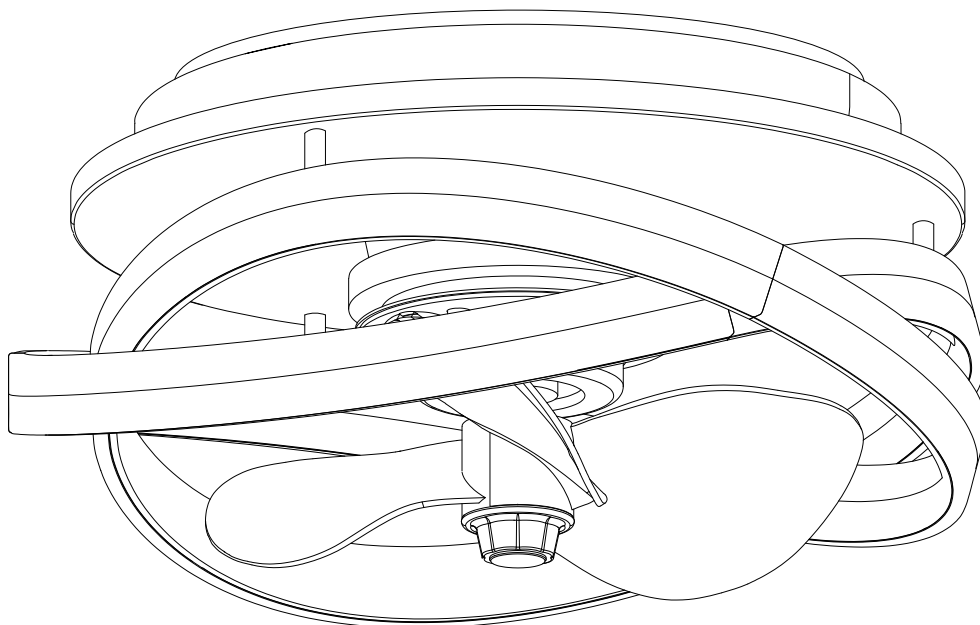
1. El único mantenimiento necesario es la limpieza periódica del ventilador de techo. Utilice un cepillo suave o un paño sin pelusa para evitar rayar la pintura. Asegúrese de desconectar el suministro eléctrico antes de limpiar su ventilador.
2. No utilice agua para limpiar el ventilador de techo. Podría dañar el motor o las aspas y provocar una descarga eléctrica.
3. El motor está equipado con un rodamiento de bolas de lubricación permanente. No es necesario engrasarlo.

NOTA: ASEGÚRESE DE QUE LA CORRIENTE ESTÁ DESCONECTADA EN EL CUADRO ELÉCTRICO ANTES DE REALIZAR CUALQUIER TRABAJO DE LIMPIEZA O REPARACIÓN. NO LIMPIE NI REPARE EL APARATO.



Parrot Uncle

# F8302110V



English / Español / Français

[www.parrotuncle.com](http://www.parrotuncle.com)



Parrot Uncle

F8302110V

Instructions d'installation et d'utilisation pour le  
Installation du propriétaire de Parrotuncle, manue

VERTISSEMENT : COUPER L'ALIMENTATION AU FUSIBLE OU AU DISJONCTEUR

## Informations de sécurité

1. Pour réduire le risque de coup électrique, l'électricité sur l'interrupteur de protection ou la boîte de sécurité s'est éteinte avant le démarrage.
2. Tout le câblage doit être conforme au code électrique national NASI/NFPA 70-1999 et aux réglementations électriques locales. L'installation électrique doit être réalisée par un électricien qualifié et agréé.
3. Le boîtier de connexion et la structure de support doivent être assemblés en toute sécurité et doivent pouvoir être transportés en toute fiabilité avec un poids de 15,9 kilos. N'utilisez que des boîtes de sortie portant la mention "Accepté pour les ventilateurs d'un poids de £ 35 (15,9 kilos) ou moins."
4. Le ventilateur doit être installé à une distance minimale de 2,1 m (7 pieds) entre le bord postérieur des ailes et le sol.
5. Ne pas actionner l'interrupteur de marche arrière si les ailes du ventilateur sont en mouvement. Vous devez éteindre le ventilateur et arrêter les ailes avant d'inverser la direction de l'aile.
6. Ne pas placer d'objets sur la route des ailes.
7. Pour éviter des lésions ou des dommages au ventilateur et à d'autres objets, faites attention lorsque vous travaillez sur le ventilateur ou que vous le nettoyez.
8. Les schémas électriques servent uniquement de référence. Les taux d'éclairage qui ne sont pas livrés avec le ventilateur doivent être répertoriés et marqués avec le modèle de vanne qui sera installé pour l'utilisation. Les interrupteurs doivent être des interrupteurs à usage général UL. Tenir compte des instructions pour l'installation appropriée incluses dans les taux d'éclairage et les interrupteurs.
9. Une fois les raccordements électriques effectués, l'escalier de taille doit être retourné et poussé avec précaution jusqu'à la boîte à fiches. Les câbles doivent être répartis de manière à ce que le conducteur relié à la terre et la tête de l'appareil se trouvent à proximité de la prise.

Toutes les vis de fixation doivent être vérifiées avant l'installation et, si nécessaire, suivies.



**AVERTISSEMENT:**

Pour réduire le risque de blessure, les supports de couteau (également appelés brides) ne peuvent pas être pliés pendant l'installation ou après l'installation. Ne placez aucun objet sur la trajectoire des ailes.



**AVERTISSEMENT:**

Retirez les attaches en caoutchouc du moteur au bas du ventilateur avant de monter les ailes ou d'essayer le moteur.



**AVERTISSEMENT:**

Pour éviter tout risque d'incendie ou de choc électrique, ce ventilateur ne doit pas être utilisé avec un variateur de vitesse à semi-conducteur.



**AVERTISSEMENT:**

Pour éviter tout risque d'électrocution, coupez le courant dans la boîte de sécurité principale avant de procéder au câblage. Si vous pensez ne pas avoir suffisamment de connaissances ou d'expérience en matière de câblage électrique, adressez-vous à un électricien agréé.



**AVERTISSEMENT:**

Les schémas électriques ne servent que de référence. L'utilisation optionnelle d'un taux d'éclairage doit être sur la liste et marqué avec ce ventilateur pour l'utilisation.



**AVERTISSEMENT:**

Pour réduire les risques d'incendie, de décharges électriques ou de blessures, montez l'appareil dans une prise de courant qui porte l'inscription acceptée pour les ventilateurs d'un poids inférieur ou égal à 35 £. Elle est marquée et utilisez les vis fournies avec la prise.

### INFORMATION TECHNIQUE

SKU	Tension nominale	Puissance nominale (moteur)	Lumière
F8302110V	110-120V AC	13W	1*LED MAX.18W



Parrot Uncle

## F8302110V

Instructions d'installation et d'utilisation pour le  
Installation du propriétaire de Parrot Uncle, manuel

VERTISSEMENT : COUPER L'ALIMENTATION AU FUSIBLE OU AU DISJONCTEUR



Vis à bois (4PCS)



Écrou pour fil en plastique (3PCS)



Vis de montage (2PCS)



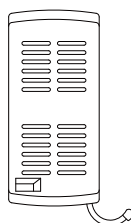
Rondelle (2PCS)



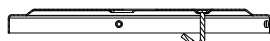
Rondelle élastique (2PCS)



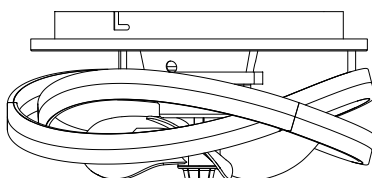
Paquete de piezas  
equilibradas  
(1PZA)



TÉLÉCOMMANDE (1 PCS)



Plaque de suspension ronde



Assemblage du kit d'éclairage

Assemblage du moteur du ventilateur

Veuillez vérifier si les accessoires ci-dessus sont terminés ou non ? Oui, et installez-les.



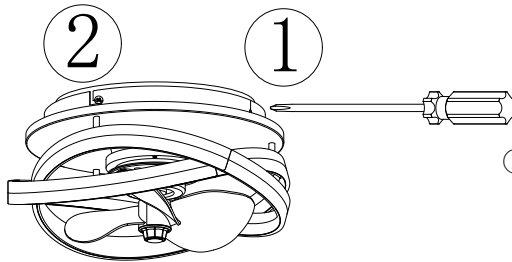
Parrot Uncle

# F8302110V

Instructions d'installation et d'utilisation pour le  
Installation du propriétaire de Parrotuncle, manue

**VERTISSEMENT : COUPER L'ALIMENTATION AU FUSIBLE OU AU DISJONCTEUR**

1



Sortez le F8302 fini de son emballage et desserrez les deux vis

① sur le côté opposé de la plaque du disque, et l'autre vis diagonale

② du trou en "L" seulement à moitié (il n'est pas nécessaire de la desserrer complètement).

2

### INSTALLATION DU VENTILATEUR :

Outils nécessaires : Tournevis cruciforme, pince, tournevis droit, clé à molette, escabeau et pince coupante.

### INSTALLATION DU SUPPORT DE MONTAGE :

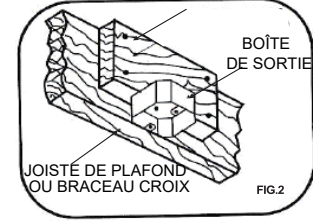
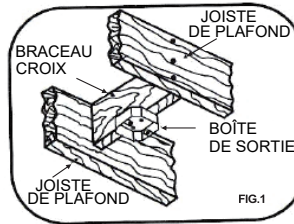
Le ventilateur de plafond doit être installé à un endroit où les pales sont espacées de 300 mm (12 po) entre leur extrémité et les objets ou les murs les plus proches. Lorsque vous suspendez le ventilateur, N'OUBLIEZ PAS de le mettre hors tension. Suivez les instructions ci-dessous pour suspendre correctement votre ventilateur :

1. pour les plafonds en bois, fixez le support de montage au plafond, capable de supporter une charge d'au moins 45 kg, à l'aide des deux longues vis de montage et des rondelles fournies. Veillez à ce qu'au moins 30 mm de la vis soient vissés dans le support.

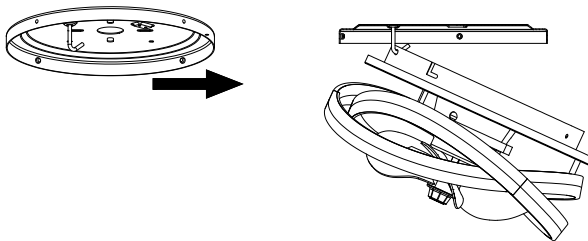


2. Pour l'installation sur une boîte de sortie, fixez la boîte de sortie directement à la structure du bâtiment. Utilisez des enduits et des matériaux de construction appropriés. La boîte de sortie et son support doivent pouvoir supporter entièrement le poids du ventilateur en mouvement (au moins 100 livres). Utilisez une boîte de sortie métallique homologuée UL. Ne pas utiliser de boîte de sortie en plastique. Figure 1 & 2 exemples de montage de la boîte de sortie.

SUPPORT PARALLÈLE EN BOIS D'AU MOINS 5cm D'ÉPAISSEUR

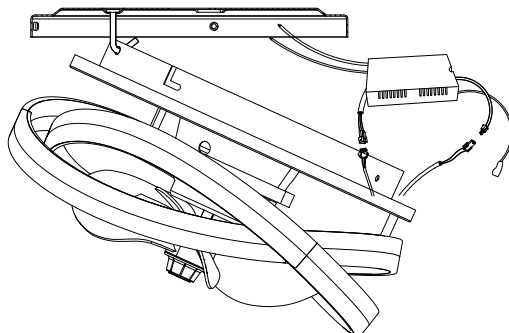


3



Accrocher le produit au crochet fixe en "L" de la plaque de disque

4



Conformément au schéma de câblage, branchez l'extrémité d'entrée du moteur et l'extrémité de sortie de la télécommande, la ligne bleue et blanche d'entrée du produit et la ligne de sortie de la télécommande, et la ligne d'entrée de la télécommande et le fil neutre externe sous tension.





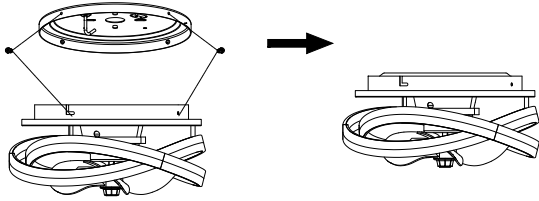
Parrot Uncle

## F8302110V

Instructions d'installation et d'utilisation pour le  
Installation du propriétaire de Parrotuncle, manue

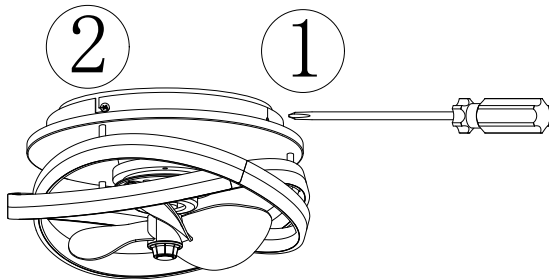
VERTISSEMENT : COUPER L'ALIMENTATION AU FUSIBLE OU AU DISJONCTEUR

5



Retirer le ventilateur du crochet, aligner le trou en forme de "L" avec la vis qui a été desserrée de moitié auparavant, et le placer sur le dessus de la plaque de levage circulaire, puis le tourner vers la droite, de sorte que le ventilateur soit accroché à la plaque de levage.

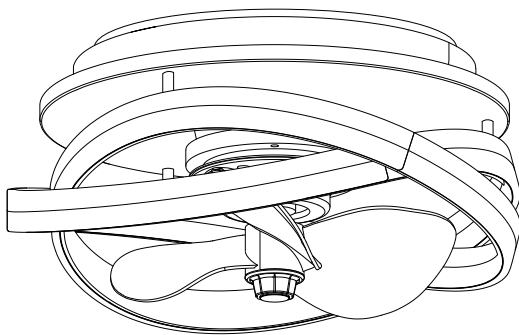
6



Serrer les vis

7

L'installation du produit est terminée





Parrot Uncle

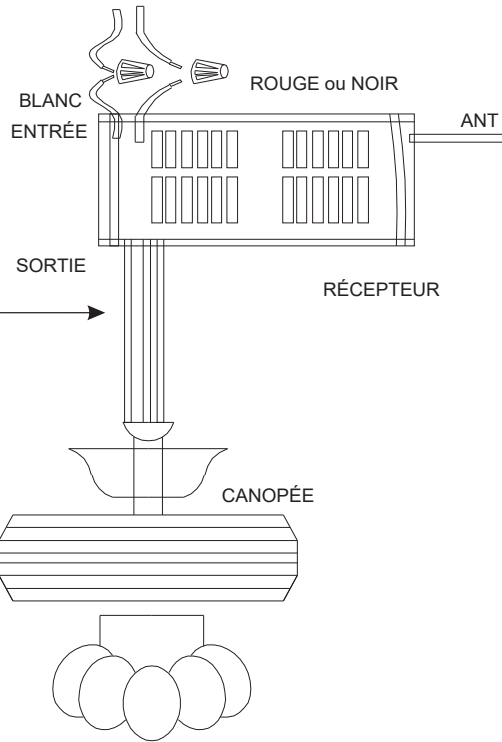
# F8302110V

Instructions d'installation et d'utilisation pour le  
Installation du propriétaire de Parrotuncle, manue

VERTISSEMENT : COUPER L'ALIMENTATION AU FUSIBLE OU AU DISJONCTEUR

DE LA SOURCE D'ALIMENTATION  
AC 110- 120 VOLT 60Hz 3.5AMPS.

Utiliser les écrous de connexion des fils  
fournis avec le ventilateur

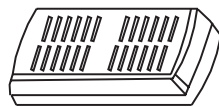


ÉCROU DU FIL

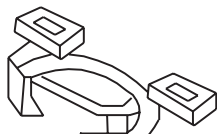
Insérer le port correspondant  
du câble du ventilateur dans la  
télécommande télécommande

1. Pousser délicatement la verrière jusqu'au bas du support de montage, faire glisser les deux trous alignés sur les deux vis proéminentes du support de montage, puis tourner dans le sens des aiguilles d'une montre jusqu'à ce qu'elle soit bien serrée.

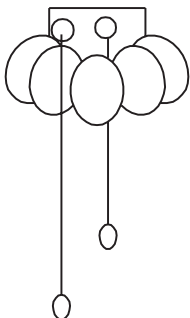
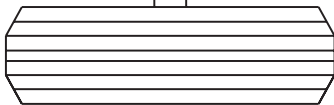
2. Pousser l'anneau de la canopée jusqu'au bas de la canopée. faire glisser les trous intérieurs alignés sur les deux vis proéminentes du support de montage, et tourner l'anneau de la canopée dans le sens des aiguilles d'une montre jusqu'à ce qu'il soit bien serré.



RÉCEPTEUR



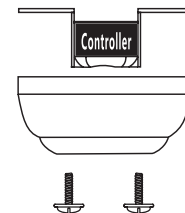
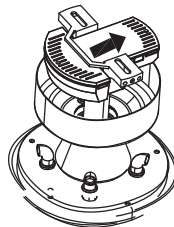
CANOPÉE



## Installer la télécommande

télécommande <Seulement>

Préparation du montage



1: Retirer le support de montage de l'auvent en desserrant les deux vis de l'auvent situées dans les fentes en forme de L. en desserrant les deux vis de l'auvent situées dans les fentes en forme de L.  
2: Retirez et conservez les deux vis de l'auvent situées dans les trous ronds. Cela vous permettra de retirer le support de montage.

LA LUMIÈRE DOIT ÊTRE MAINTENUE EN POSITION ALLUMÉE  
LE VENTILATEUR DOIT ÊTRE MAINTENU EN POSITION HAUTE



Parrot Uncle

**F8302110V**

Instructions d'installation et d'utilisation pour le  
Installation du propriétaire de Parrotuncle, manue

VERTISSEMENT : COUPER L'ALIMENTATION AU FUSIBLE OU AU DISJONCTEUR

## Télécommande

# INFORMATION GÉNÉRALE

Cette télécommande est conçue pour contrôler séparément la vitesse du ventilateur de votre plafond et l'allumage et l'extinction de la lumière.

Quatre boutons (HAUT, MOYEN, BAS, ARRÊT) permettent de contrôler la vitesse du ventilateur et de l'éteindre.

Le bouton d'éclairage permet d'allumer et d'éteindre l'éclairage.

L'indicateur rouge de l'émetteur s'allume lorsque l'on appuie sur l'un des cinq boutons.

## INSTRUCTIONS D'INSTALLATION ET D'UTILISATION

### 1. RÉGLAGE DES CODES

Pour régler les codes, procédez comme suit :

A. Réglage des codes sur l'émetteur :

a. Retirez le couvercle des piles. Appuyez fermement sur la flèche et faites glisser le couvercle des piles.

b. Faites glisser les commutateurs de code vers le haut ou vers le bas (le réglage d'usine est tout en haut, n'utilisez pas cette position). Utilisez un petit tournevis ou un stylo à bille pour faire glisser fermement vers le haut ou vers le bas.

B. Réglage des codes sur le récepteur :

La touche d'apprentissage doit être appuyée dans les 30 secondes qui suivent l'appui sur le bouton d'alimentation.

Si ce n'est pas le cas, appuyez sur le bouton d'alimentation pour redémarrer.

Si vous appuyez sur la touche d'apprentissage pendant plus de 3 secondes, le récepteur passe à l'état d'APPRENTISSAGE.

Le récepteur peut mémoriser les derniers codes. Le voyant clignote deux fois.

### 2. INSTALLATION DU RÉCEPTEUR DANS LE VENTILATEUR DE PLAFOND

A. Précautions de sécurité :

**AVERTISSEMENT : HAUTE TENSION !** Déconnecter l'alimentation en retirant le fusible ou en coupant le disjoncteur.

Ne pas utiliser avec des ventilateurs à semi-conducteurs.

Les fils électriques doivent être conformes à tous les codes électriques locaux et nationaux. locales et nationales.

L'alimentation du ventilateur doit être de 110/120 volts, 60 Hz. Intensité maximale du moteur du ventilateur

Ampères maximums du moteur du ventilateur : 1,0, Watts maximums de l'éclairage : 180 incandescence ou ballast et LED  
Sinon, l'électricité peut causer des blessures graves ou la mort.

B. Installation du récepteur dans le ventilateur :

a. Couper l'alimentation du circuit.

b. Retirer l'auvent du ventilateur de plafond de son support de montage.

c. Déconnecter le câblage existant entre le ventilateur de plafond et l'alimentation dans la boîte de jonction électrique.

d. Effectuer les connexions comme suit, en utilisant les écrous fournis :

A. Installez la pile CR2025 volt.

(Pour éviter d'endommager l'émetteur, retirez la pile si vous ne l'utilisez pas pendant une longue période).

B. Conservez l'émetteur à l'abri de la chaleur et de l'humidité excessives.

C. Utiliser les boutons du panneau de l'émetteur.

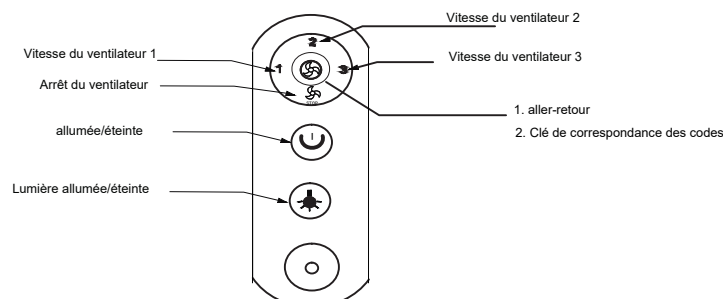
D. Régler les codes sur l'émetteur :

Touche de correspondance des codes : Le fonctionnement est le suivant : appuyez sur cette touche pour

faire correspondre les codes dans les 5 secondes qui suivent la mise sous tension de la lampe du ventilateur.

Si la correspondance des codes est réussie, le ventilateur émet un son de "di" ;

dans le cas contraire, il faut répéter l'opération.





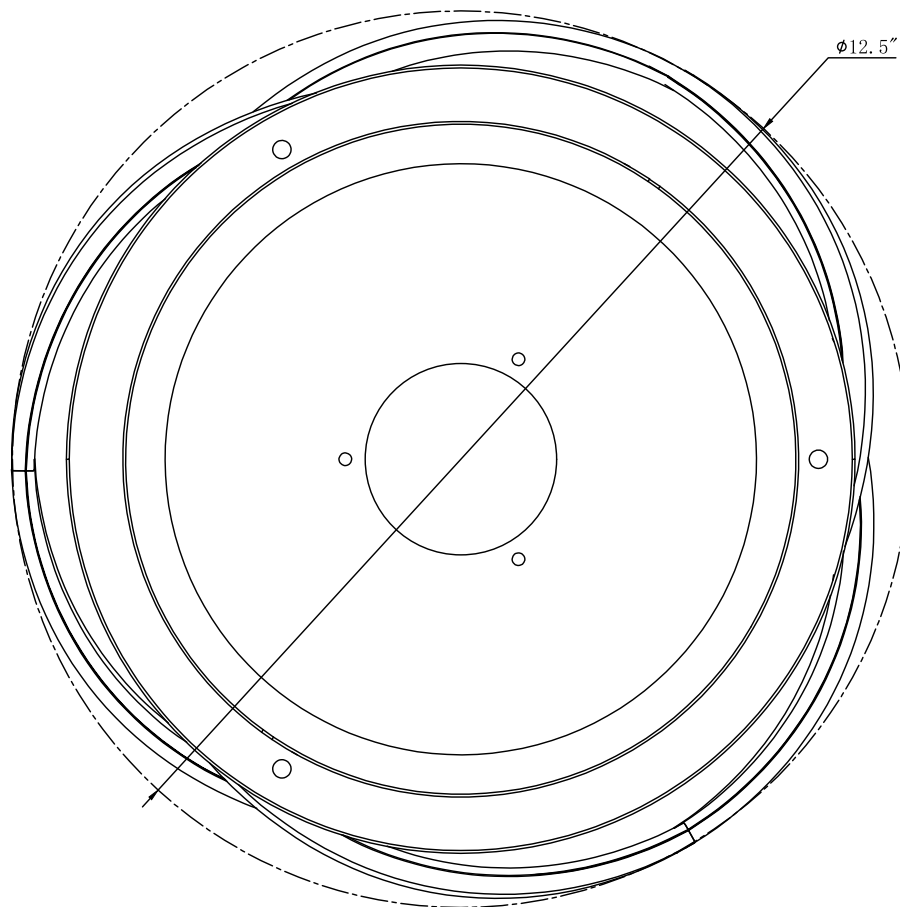
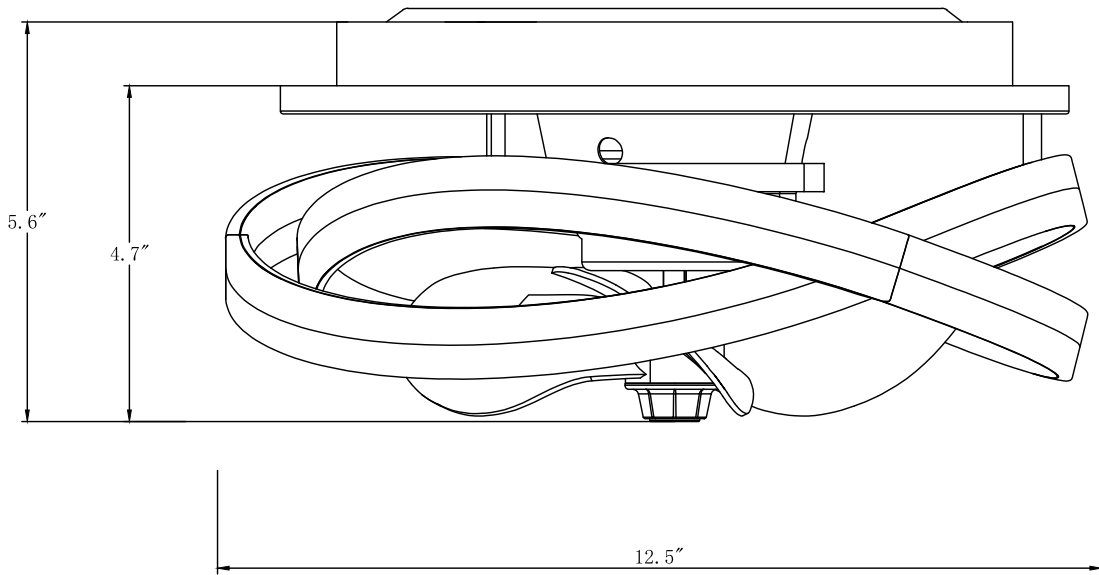
Parrot Uncle

**F8302110V**

Instructions d'installation et d'utilisation pour le  
Installation du propriétaire de Parrotuncle, manue

VERTISSEMENT : COUPER L'ALIMENTATION AU FUSIBLE OU AU DISJONCTEUR

## taille du produit





Parrot Uncle

**F8302110V**

Instructions d'installation et d'utilisation pour le  
Installation du propriétaire de Parrotuncle, manue

VERTISSEMENT : COUPER L'ALIMENTATION AU FUSIBLE OU AU DISJONCTEUR

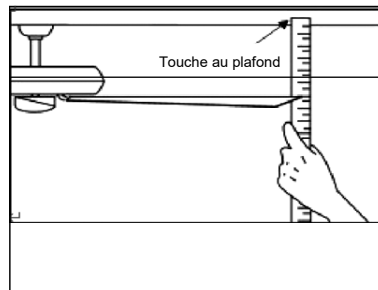
## APRÈS L'INSTALLATION

### OSCILLATION"

Les pales du ventilateur ont été réglées en usine pour minimiser toute oscillation.

NOTE: CEILING FANS TEND TO MOVE DURING OPERATION DUE TO THE FACT THAT THEY ARE MOUNTED ON A RUBBER CROMMET. IF THE FAN WAS MOUNTED RIGIDLY TO THE CEILING, IT WOULD CAUSE EXCESS VIBRATION. MOVEMENT OF A FEW CENTIMETERS IS QUITE ACCEPTABLE AND DOES NOT SUGGEST ANY PROBLEM TO REDUCE THE FAN WOBBLE: PLEASE CHECK THAT ALL SCREWS WHICH SECURED THE MOUNTING BRACKET AND DOWNROD ARE SECURE.  
BALANCING A WOBBLING CEILING FAN:

1. Vérifiez que toutes les vis des pales et du bras de pale sont bien fixées.
2. La plupart des problèmes d'oscillation du ventilateur sont dus à l'inégalité du niveau des pales. Vérifiez ce niveau en en choisissant un point du plafond au-dessus de l'extrémité de l'une des pales. pales. Mesurez cette distance. Faites tourner le ventilateur jusqu'à ce que la pale suivante soit positionnée pour la mesure. mesure. Répétez l'opération pour chaque pale. L'écart de distance doit être égal à 1/8"(0,32cm).
3. si l'oscillation des pales est toujours perceptible, l'échange de deux pales adjacentes (côte à côte) peut redistribuer l'écart entre les pales. deux lames adjacentes (côte à côte) peut redistribuer le poids et éventuellement permettre un fonctionnement plus régulier.



AVERTISSEMENT : POUR RÉDUIRE LES RISQUES DE BLESSURES, NE PLIEZ PAS LE BRAS DE PALE LORS DE L'INSTALLATION, DE L'ÉQUILIBRAGE DES PALES OU DU NETTOYAGE DU VENTILATEUR. N'INSÉREZ PAS D'OBJETS ÉTRANGERS ENTRE LES PALES DU VENTILATEUR EN ROTATION.

### BRUIT

Par temps calme (surtout la nuit), vous pouvez entendre de petits bruits occasionnels. C'est normal. Prévoyez une période de rodage de 24 heures, la plupart des bruits associés à un nouveau ventilateur disparaissent pendant cette période. La plupart des bruits associés à un nouveau ventilateur disparaissent pendant cette période.

### ENTRETIEN ET NETTOYAGE

1. Le nettoyage périodique de votre ventilateur de plafond est le seul entretien nécessaire. Utilisez une brosse douce ou un chiffon non pelucheux pour éviter de rayer la peinture. Veillez à éteindre l'électricité avant de nettoyer votre ventilateur.
2. n'utilisez pas d'eau pour nettoyer votre ventilateur de plafond. Cela pourrait endommager le moteur ou les pales et créer un risque d'électrocution.
3. le moteur est équipé d'un roulement à billes lubrifié en permanence. Il n'est pas nécessaire de l'huiler.

NOTE : ASSUREZ-VOUS QUE LE COURANT EST COUPÉ AU NIVEAU DU PANNEAU ÉLECTRIQUE AVANT D'ENTREPRENDRE TOUT NETTOYAGE OU TOUTE RÉPARATION. DE NETTOYER OU DE RÉPARER L'APPAREIL.

**Parrot  Uncle**