



Penbrooke

Installation Guide

For Models:

PNB52AO5

PNB52BNK5

PNB52ESP5

PNB52OBG5

Table of Contents:

Safety Tips. pg. 1

Unpacking Your Fan. pg. 2

Parts Inventory. pg. 2

Installation Preparation. pg. 3

Hanging Bracket Installation. pg. 3

Fan Assembly. pgs. 4 - 5

Wiring. pg. 6

Canopy Assembly. pg. 6

Blade Assembly. pg. 7

Light Kit Assembly (Optional). pgs. 7 - 8

Testing Your Fan. pg. 9

Troubleshooting. pg. 10

Parts Replacement. pg. 10

Warranty. pg. 10



net weight of fan: 18.96 lb. (8.6 kg)

PRINTED IN CHINA

SAFETY TIPS.

WARNING: To reduce the risk of electrical shock, turn off the electricity to the fan at the main fuse box or circuit panel before you begin the fan installation or before servicing the fan or installing accessories.

1. **READ ALL INSTRUCTIONS AND SAFETY INFORMATION CAREFULLY BEFORE INSTALLING YOUR FAN AND SAVE THESE INSTRUCTIONS.**

CAUTION: To avoid personal injury, the use of gloves may be necessary while handling fan parts with sharp edges.

2. Make sure all electrical connections comply with Local Codes or Ordinances, the National Electrical Code, and ANSI/NFPA 70-1999. If you are unfamiliar with electrical wiring or if the house/building wires are different colors than those referred to in the instructions, please use a qualified electrician.
3. Make sure you have a location selected for your fan that allows clear space for the blades to rotate, and at least seven (7) feet (2.13 meters) of clearance between the floor and the fan blade tips. The fan should be mounted so that the tips of the blades are at least thirty (30) inches (76 centimeters) from walls or other upright structures.
4. The outlet box and ceiling support joist used must be securely mounted, and capable of supporting at least 35 pounds (16 kilograms). The box must be supported directly by the building structure. Use only CUL (Canada) or UL (USA) listed outlet boxes marked "FOR FAN SUPPORT."

WARNING: To reduce the risk of fire, electrical shock, or personal injury, mount to the outlet box marked "Acceptable for Fan Support of 15.9 kg (35 lb) or less," and use the mounting screws provided with the outlet box. Most outlet boxes commonly used for the support of lighting fixtures are not acceptable for fan support and may need to be replaced. Consult a qualified electrician if in doubt.

WARNING: To reduce the risk of fire, electrical shock, or personal injury, wire connectors provided with this fan are designed to accept only one 12 gauge house wire and two lead wires from the fan. If your house wire is larger than 12 gauge or there is more than one house wire to connect to the corresponding fan lead wires, consult an electrician for the proper size wire connectors to use.

5. Electrical diagrams are for reference only. Light kits that are not packed with the fan must be CUL (Canada) or UL (USA) listed and marked suitable for use with the model fan you are installing. Switches must be CUL (Canada) or UL (USA) general use switches. Refer to the instructions packaged with the light kits and switches for proper assembly.
6. After installation is complete, check that all connections are absolutely secure.
7. After making electrical connections, spliced conductors should be turned upward and pushed carefully up into the outlet box. The wires should be spread apart with the grounded conductor and the equipment-grounding conductor on opposite sides of the outlet box.

WARNING: To reduce the risk of fire or electrical shock, do not use this fan with any solid state speed control device or control fan speed with a full range dimmer switch. [Using a full range dimmer switch to control fan speed will cause a loud humming noise from fan.] (**Note:** This fan *is* suitable for use with remote control.)

8. Do not operate the fan in reverse until fan has come to a complete stop.
9. Do not insert anything between the fan blades while they are rotating.

WARNING: To reduce the risk of personal injury, do not bend the blade arms during assembly or after installation. Do not insert objects into the path of the blades.

WARNING: To avoid personal injury or damage to the fan and other items, be cautious when working around or cleaning the fan.

10. Do not use water or detergents when cleaning the fan or fan blades. A dry dust cloth or lightly dampened cloth will be suitable for most cleaning.

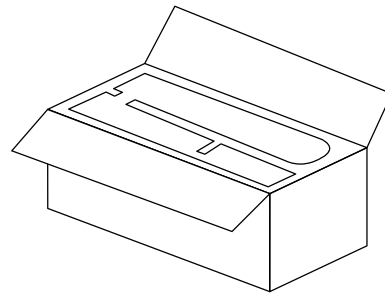
WARNING: To reduce the risk of personal injury, use **only** parts provided with this fan. **The use of parts OTHER than those provided with this fan will void the warranty.**

NOTE: The important safety precautions and instructions appearing in the manual are not meant to cover all possible conditions and situations that may occur. It must be understood that common sense and caution are necessary factors in the installation and operation of this fan.

1. Unpacking Your Fan.

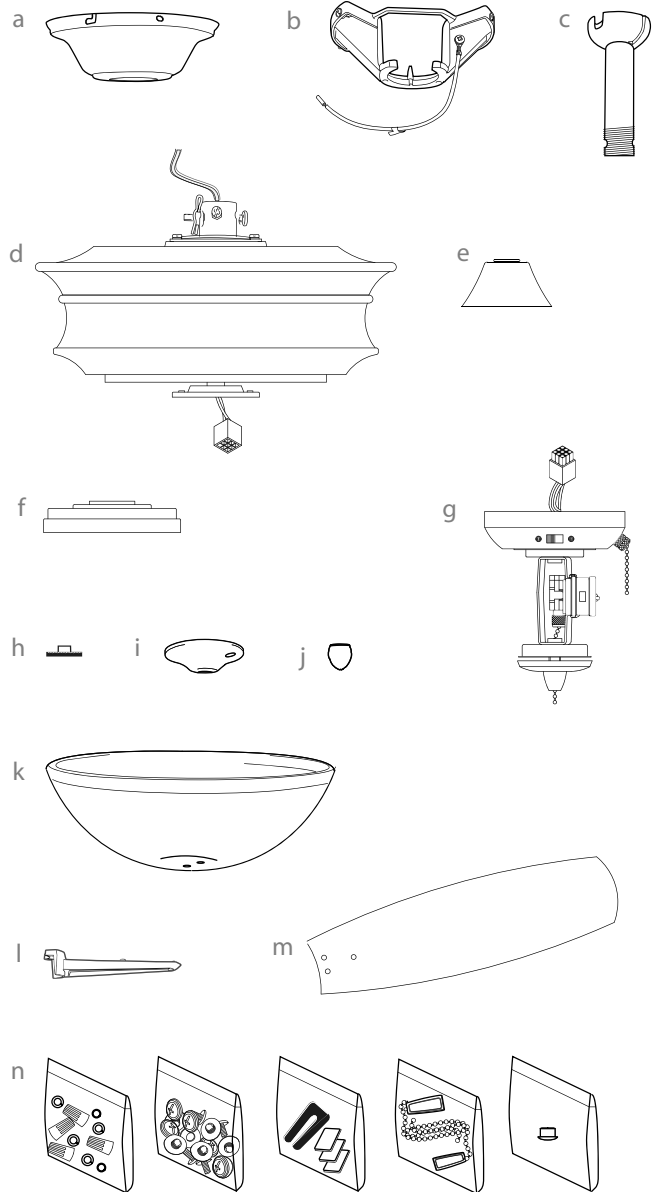
Carefully open the packaging. Remove items from Styrofoam inserts. Remove motor housing and place on carpet or Styrofoam to avoid damage to finish. Do not discard fan carton or Styrofoam inserts should this fan need to be returned for repairs.

Check against parts inventory that all parts have been included.



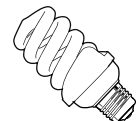
2. Parts Inventory.

- a. canopy. 1 piece
- b. hanging bracket. 1 piece
- c. downrod and hanging ball. 1 piece
- d. motor housing. 1 piece
- e. yoke cover. 1 piece
- f. fitter plate. 1 piece
- g. light kit fitter. 1 piece
- h. threaded washer (pre-attached to light kit fitter). 1 piece
- i. finial plate. (pre-attached to light kit fitter). 1 piece
- j. finial (pre-attached to light kit fitter). 1 piece
- k. glass shade. 1 piece
- l. blade arm. 5 pieces
- m. blade. 5 pieces
- n. hardware packs



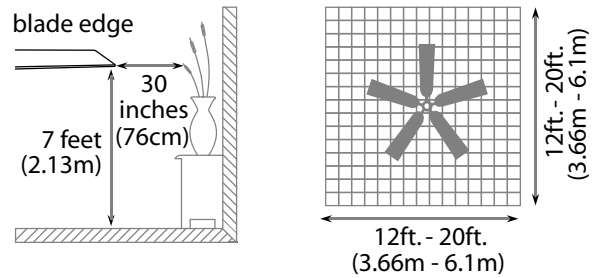
IMPORTANT REMINDER: You must use the parts provided with this fan for proper installation and safety.

bulbs required:
2 x 13 watt medium base compact fluorescent bulbs (included)



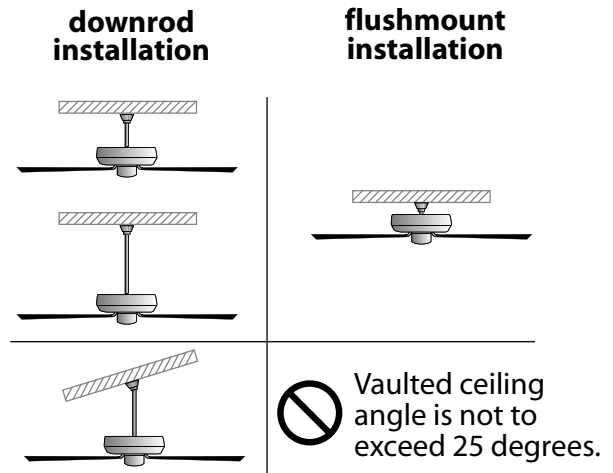
3. Installation Preparation.

To prevent personal injury and damage, ensure that the hanging location allows the blades a clearance of 7ft. (2.13m) from the floor and 30in. (76cm) from any wall or obstruction. This fan is suitable for room sizes up to 400 square feet (37.2 square meters).



This fan can be mounted with a **downrod** on a regular (no-slope) or vaulted ceiling. The hanging length can be extended by purchasing a longer downrod (0.5in./1.27cm diameter). After installing hanging bracket, continue to Section 5 on page 4 for those instructions. Fan can also be mounted using **flushmount** installation only on a regular (no-slope) ceiling. After installing hanging bracket, continue to Section 6 on page 5 for those instructions.

Installation requires the following tools: Phillips screwdriver, flat-head screwdriver, adjustable pliers or wrench, stepladder, wire cutters, and rated electrical tape.



4. Hanging Bracket Installation.

Turn off circuit breakers to current fixture from breaker panel and be sure operating light switch is turned to the OFF position.

WARNING: Failure to disconnect power supply prior to installation may result in serious injury.

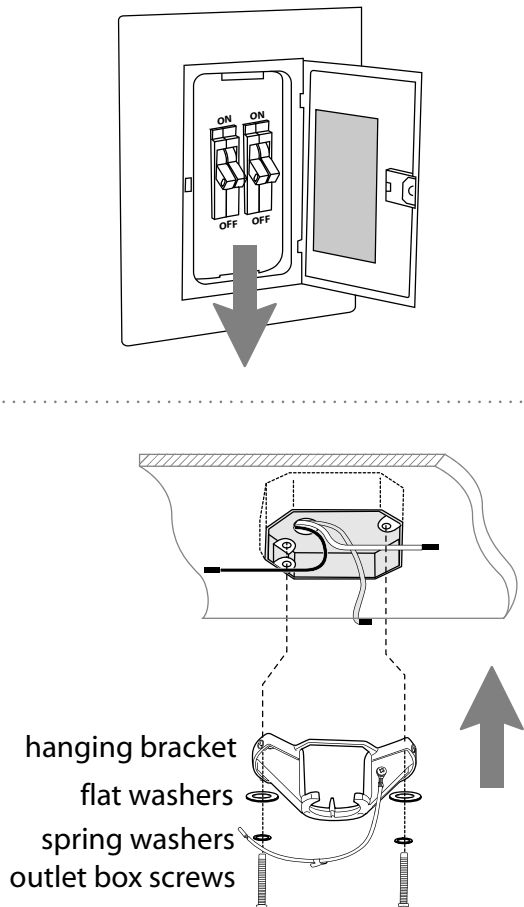
Remove existing fixture.

WARNING: When using an existing outlet box, be sure the outlet box is securely attached to the building structure and can support the full weight of the fan. Ensure the outlet box is clearly marked "Suitable for Fan Support." If not, it must be replaced with an approved outlet box. Failure to do so can result in serious injury.

CAUTION: Be sure outlet box is grounded properly and that a ground wire (**GREEN** or bare) is present.

Install hanging bracket to outlet box using original screws, spring washers and flat washers provided with new or original outlet box.* If installing on a vaulted ceiling, face opening of hanging bracket towards high point of ceiling. Arrange electrical wiring around the back of the hanging bracket and away from the bracket opening.

***Note:** It is very important that you use the proper hardware when installing the hanging bracket as this will support the fan.



5. Fan Assembly (with downrod).

Remove hanging ball from downrod provided by loosening set screw on hanging ball. Lower hanging ball and remove stop pin and then slide hanging ball off of the downrod. [Refer to **diagram 1**.]

Loosen yoke set screws and nuts at top of motor housing. Remove pin and clip from motor housing yoke. [Refer to **diagram 2**.]

Tip: To prepare for threading electrical wires through downrod, apply a small piece of electrical tape to the ends of the electrical wires--this will keep the wires together when threading them through the downrod. [Refer to **diagram 2**.]

Determine the length of downrod you wish to use. Thread safety cable and electrical wires through threaded end of downrod and pull extra wire slack from the upper end of the downrod. [Refer to **diagram 2**.]

Thread downrod into the motor housing yoke until holes for pin and clip in downrod align with holes in yoke--*make sure wires do not get twisted*. Re-insert pin and clip that were previously removed. Tighten yoke set screws and nuts securely. [Refer to **diagram 2**.]

Slide yoke cover and canopy over downrod. [Refer to **diagram 3**.]

Thread safety cable and wires through hanging ball and then slide hanging ball over downrod--the top of the downrod should be noted as having a set screw hole; use this hole when setting the set screw. Insert stop pin into top of downrod and raise hanging ball. Be sure stop pin aligns with slots on the inside of the hanging ball. Tighten set screw securely. [Refer to **diagram 4**.]

WARNING: Failure to tighten set screw (on hanging ball) completely could result in the fan becoming loose and possibly falling.

["Fan Assembly" continued on next page.]

NOTE: The important safety precautions and instructions appearing in the manual are not meant to cover all possible conditions and situations that may occur. It must be understood that common sense and caution are necessary factors in the installation and operation of this fan.

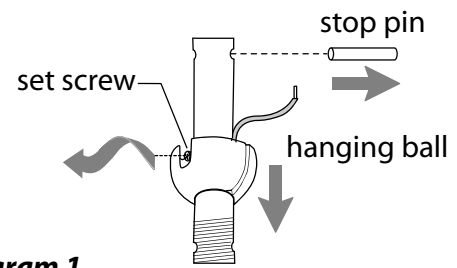


diagram 1

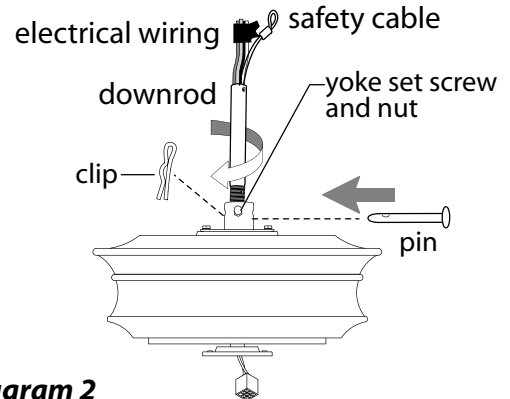


diagram 2

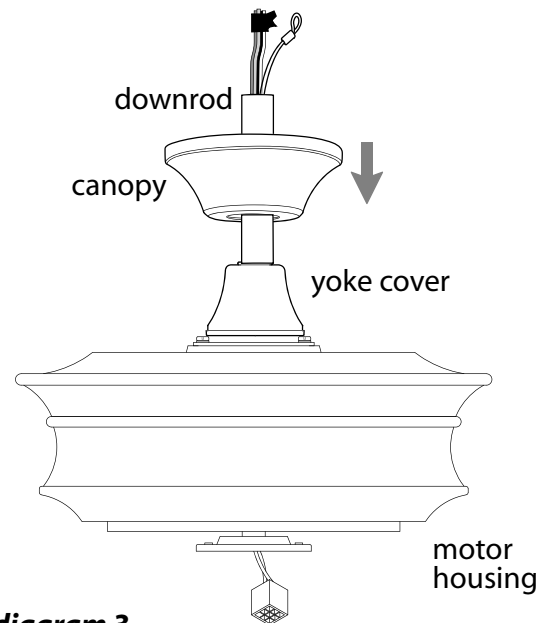


diagram 3

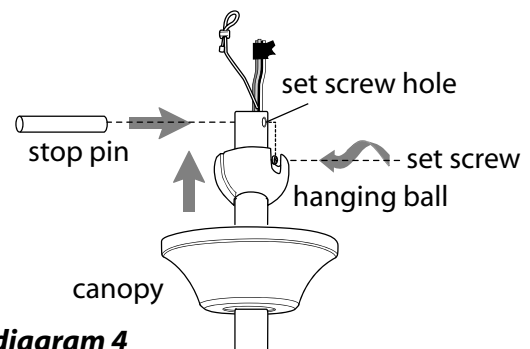


diagram 4

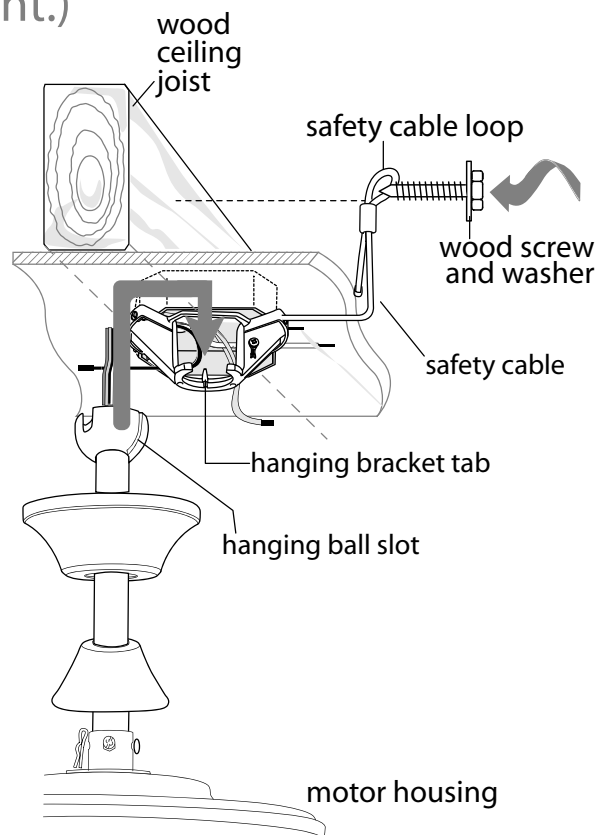
5. Fan Assembly (with downrod). (cont.)

With the hanging bracket secured to the outlet box and able to support the fan, you are now ready to hang your fan. Grab the fan firmly with two hands. Slide downrod through opening in hanging bracket and let hanging ball rest on the hanging bracket. Turn the hanging ball slot until it lines up with the hanging bracket tab.

WARNING: Failure to align slot in hanging ball with tab in hanging bracket may result in serious injury or death.

Tip: Seek the help of another person to hold the stepladder in place and to help lift the fan up to you once you are set on the ladder.

Find a secure attachment point (wood ceiling joist highly recommended) and secure safety cable. It will be necessary to use a heavy duty wood screw, washer and lock washer (not supplied) with the safety cable loop. If necessary, adjust the loop at the end of the safety cable. The loop at the end of the safety cable should just fit over the threads on the wood screw. *Test safety cable by pulling with pliers on loose end of safety cable. If the safety cable slips, the loop must be adjusted tighter.* Extra cable slack can be left in ceiling area.



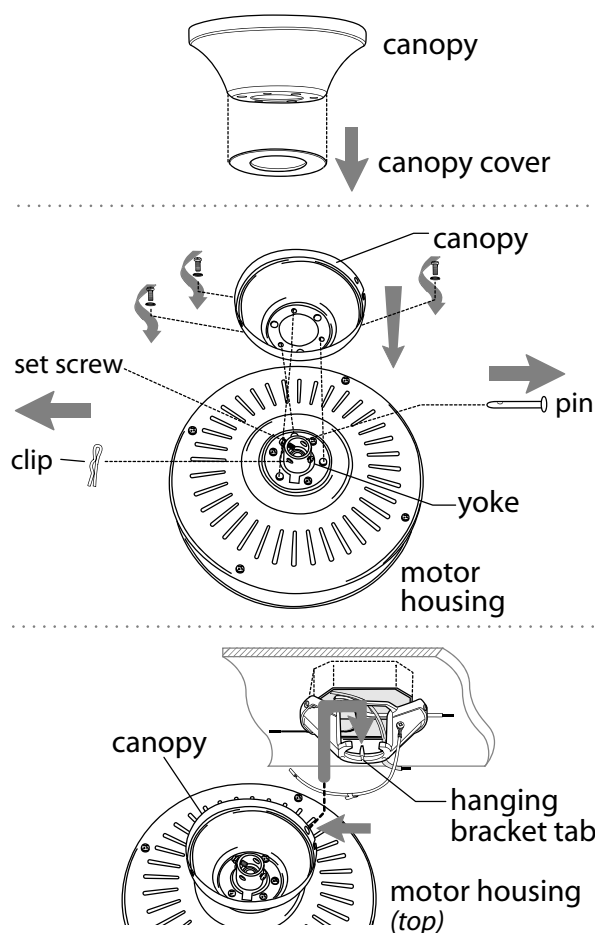
6. Fan Assembly (flushmount).

Remove and set aside canopy cover to reveal 6 holes. Notice that 3 of these holes are larger than the rest of them.

If there are only **3** screws in top of motor housing, please proceed to next paragraph. If there are **6** screws in top of motor housing, remove every other screw and lock washer.

Remove pin, clip and set screws from motor housing yoke. Thread wiring and safety cable through canopy. Place canopy over yoke, aligning larger holes in canopy with the 3 existing screws in top of motor housing. Insert the 3 screws and 3 lock washers that were removed (if there were only 3 screws located in top of motor housing, these screws/lock washers will be located in one of the hardware packs) into the remaining holes. Securely tighten these screws.

To prepare the fan for wiring, hang fan onto hanging bracket by sliding the canopy over the hanging bracket tab. (Use one of the non-slotted holes on the rim of the canopy to do so.)



7. Wiring.

CAUTION: Be sure outlet box is properly grounded or that a ground wire (**GREEN** or Bare) is present.

Make sure all electrical connections comply with Local Codes or Ordinances and the National Electrical Code. If you are unfamiliar with electrical wiring or if the house/building wires are different colors than those referred to below, please use a qualified electrician.

Note: Excess lead wire length from the fan can be cut to the desired length and then stripped.

When fan is secured in place on the hanging bracket, electrical wiring can be made as follows:

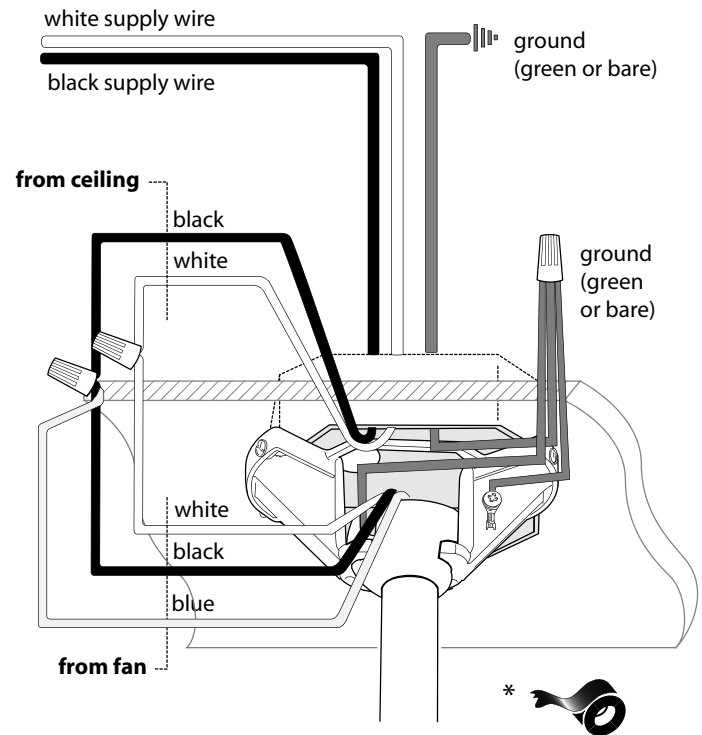
Connect **BLACK** and **BLUE** wires from fan to **BLACK** wire from ceiling with wire connector provided.

Connect **WHITE** wire from fan to **WHITE** wire from ceiling with wire connector provided.

Connect all **GROUND (GREEN)** wires together from fan to **BARE/GREEN** wire from ceiling with wire connector provided.

If you intend to control the fan light with a separate light switch, connect **BLUE** wire from fan to the **BLACK** (or **RED**) supply from the independent switch.

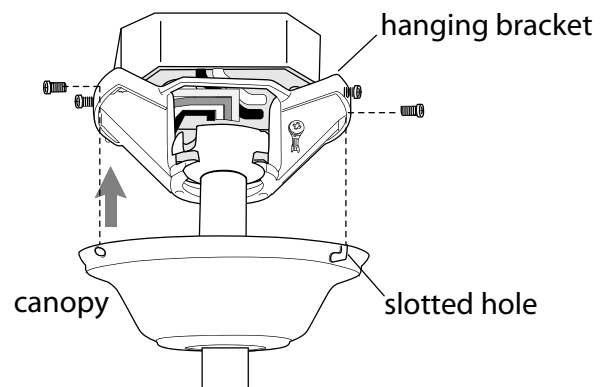
* Wrap each wire connector separately with electrical tape as an extra safety measure.



8. Canopy Assembly.

Temporarily raise canopy to hanging bracket to determine which 2 screws in hanging bracket align with **slotted** holes in canopy, and then lower canopy and *partially loosen* these 2 screws. Remove the **other** 2 screws and set aside.

Now, lift canopy to hanging bracket again, aligning slotted holes in canopy with loosened screws in hanging bracket. Twist canopy to lock. Re-insert the other 2 screws and secure all screws with a Phillips screwdriver.



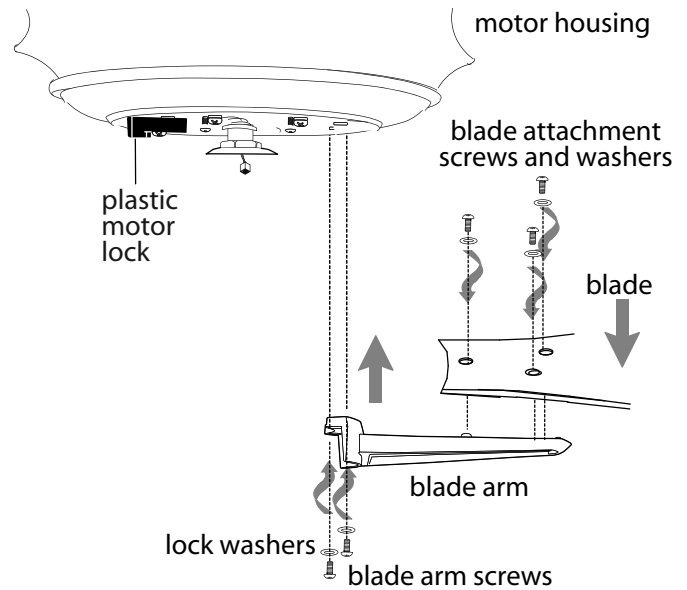
9. Blade Assembly.

Time Saver: Washers for blade screws can be set on each blade screw prior to installing blades.

Locate 15 blade attachment screws and washers in hardware pack. Hold blade arm up to blade and align holes. Insert 3 blade attachment screws (along with washers) with fingers first and then tighten screws securely with a Phillips screwdriver. Repeat procedure for the remaining blades.

Remove blade arm screws and lock washers from underside of motor. If plastic motor locks are installed with blade arm screws, discard plastic motor locks (*save blade arm screws and lock washers to secure blade arms*). Align blade arm holes with motor screw holes and attach blade arm with lock washers and blade arm screws. Before securing screws permanently, repeat procedure with remaining blade arms. Securely tighten all screws.

Note: Tighten blade arm screws twice a year.



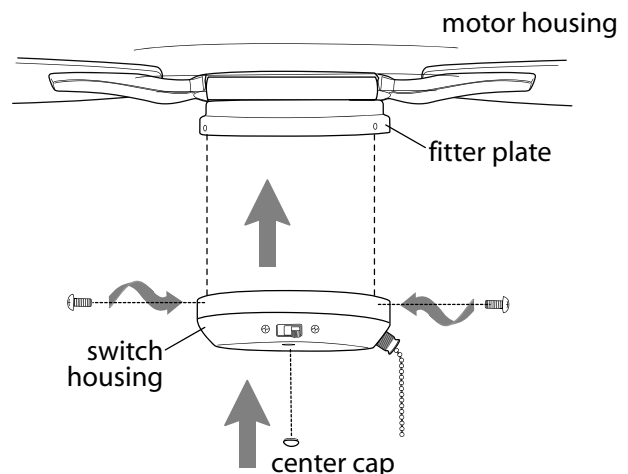
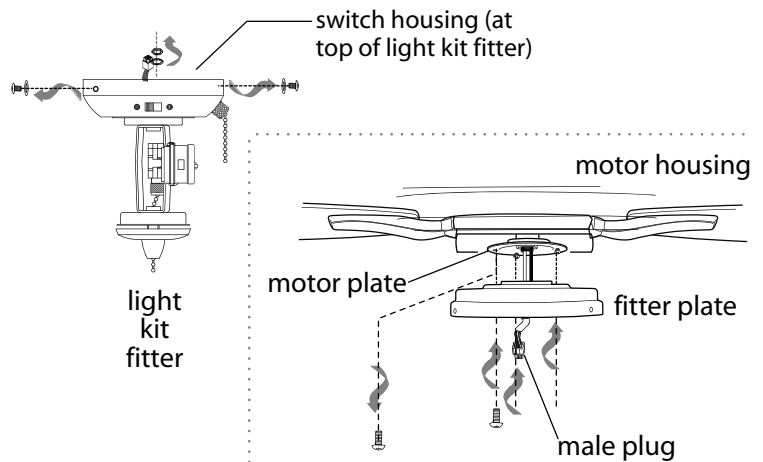
10. Light Kit Assembly (Optional).

Remove 3 screws from outer edge of fitter plate (*save screws for later use*).

Remove 1 screw from motor plate (on underside of motor) and loosen the other 2 screws. Align slotted holes in fitter plate with loosened screws in motor plate, allowing the male plug from the motor housing to come through hole in middle of fitter plate. Twist fitter plate to lock. Re-insert screw that was previously removed and securely tighten all 3 screws with a Phillips screwdriver.

If you wish to use fan *WITHOUT* the light kit, remove hex nut and lock washer from threaded rod at top of light kit fitter and then remove switch housing. Locate center cap in hardware pack and insert cap firmly into hole in middle of switch housing. Align holes in switch housing with holes in fitter plate. Attach switch housing to fitter plate with 3 screws that were previously removed. Securely tighten all 3 screws with a Phillips screwdriver.

["Light Kit Assembly" continued on next page.]



10. Light Kit Assembly (Optional). (cont.)

If you wish to use your fan WITH the light kit, connect male plug from switch housing to female plug from light kit fitter. Make sure plugs connect tightly.

Carefully arrange wiring in fitter plate and align holes in switch housing with holes in fitter plate. Re-insert screws that were previously removed. Tighten all 3 screws with a Phillips screwdriver.

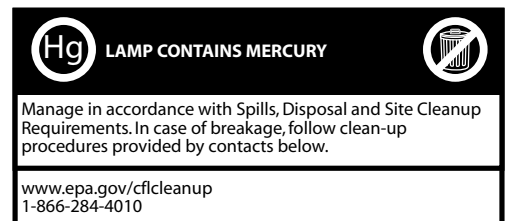
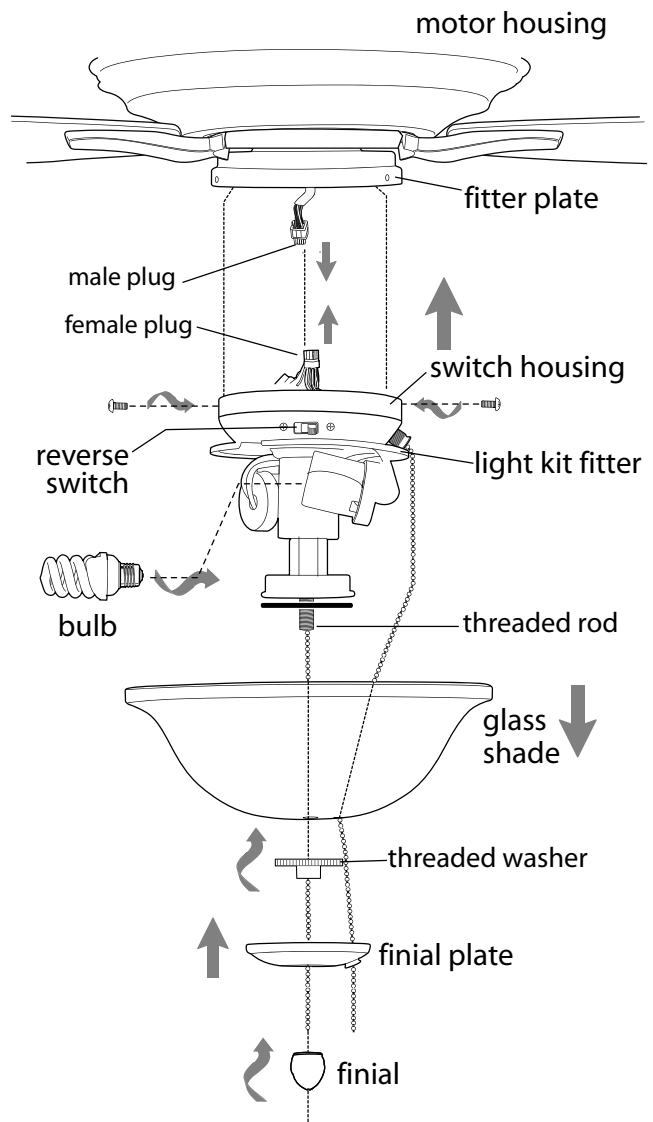
Install 2 medium base compact fluorescent 13-watt bulbs (included).

Important: When replacing bulbs, please allow bulbs and glass shade to cool down before touching.

Remove finial, finial plate and threaded washer from threaded rod on light kit fitter.

Raise glass shade in order to guide pull chains through corresponding holes. Align threaded rod on light kit fitter with hole in middle of glass shade and push up gently, allowing threaded rod to come through hole. *(Be sure pull chain for fan operation does not rub against bulb during operation.)* Secure glass shade with threaded washer. Do **NOT** overtighten threaded washer as glass may crack or break.

Align hole in center of finial plate with threaded rod, allowing pull chains to come through appropriate holes in finial plate, and push up. Thread center pull chain through hole in finial and re-attach finial. Do **NOT** overtighten finial as glass may crack or break.



11. Testing Your Fan.

It is recommended that you test fan before finalizing installation. Restore power from circuit box and light switch (if applicable). Test fan speeds with the pull chain on the switch housing. Start at the OFF position (no blade movement). First pull will set the fan to HI. Second pull will set the fan to MEDIUM. Third pull will set the fan to LOW. Fourth pull will again set the fan to the OFF setting. Test light with the pull chain in the middle. (**diagram 1**) If fan and/or light do (does) not function, please refer to "Troubleshooting" section to solve any issues before contacting Customer Service.

Turn fan completely off *before* moving the reverse switch (located on the switch housing). Set reverse switch to recirculate air depending on the season:

- LEFT position in summer (**diagram 2**)
- RIGHT position in winter (**diagram 3**)

A ceiling fan will allow you to raise your thermostat setting in summer and lower your thermostat setting in winter without feeling a difference in your comfort.

Important: Reverse switch must be set either *completely LEFT* or *completely RIGHT* for fan to function. If the reverse switch is set in the *middle* position (**diagram 4**), fan will not operate.

Attach pull chain extension(s) supplied or custom pull chain extension(s) (sold separately) to end(s) of the pull chain(s).

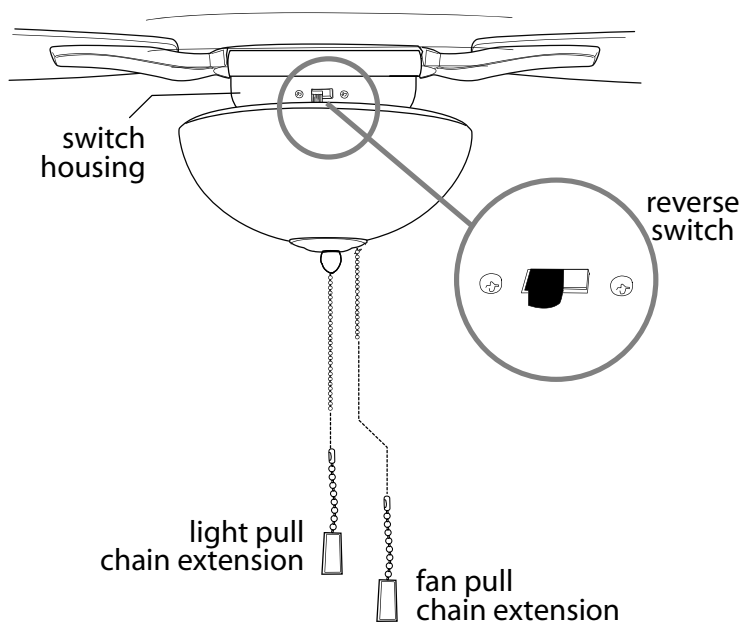


diagram 1

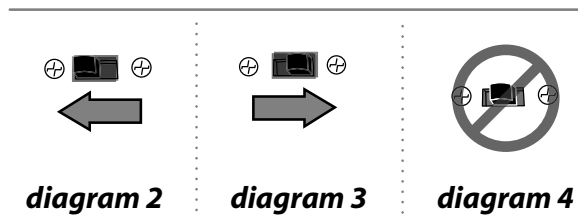


diagram 2

diagram 3

diagram 4

Troubleshooting.

WARNING: Failure to disconnect power supply prior to troubleshooting any wiring issues may result in serious injury.

Problem: Fan fails to operate.

Solutions:

1. Check wall switch to fan.
2. Verify that reverse switch is set completely in either direction.
3. Check to be sure fan is wired properly.
4. Verify that male and female plugs are connected properly in light kit fitter.

Problem: Light kit (optional) not lighting.

Solutions:

1. Check wall switch to fan.
2. Check that bulbs are installed correctly.
3. Check to be sure wires in canopy are wired properly.
4. Verify that male and female plugs in switch housing are connected properly.

Problem: Fan operates but light fails (if applicable).

Solutions:

1. Check that bulbs are installed correctly.
2. Check to be sure wires in canopy are wired properly.
3. Replace defective bulbs with same type of bulb.

Problem: Fan wobbles.

Solutions:

1. Use the balancing kit provided in one of the hardware packs. *If no blade balancing kit is provided, please call Customer Support, 1-800-486-4892, to request one.*
2. Check to make sure set screw(s) on motor housing yoke is (are) tightened securely.
3. Check to be sure set screw on hanging ball is tightened securely.

Parts Replacement.

For parts and information, please refer to "Parts Inventory" on page 2.

Craftmade/Ellington Customer Support:

1-800-486-4892

www.craftmadebrands.com

Warranty.

CRAFTMADE/ELLINGTON LIFETIME WARRANTY:

CRAFTMADE/ELLINGTON warrants this fan to the original household purchaser for indoor use under the following provisions:

1-YEAR WARRANTY: CRAFTMADE/ELLINGTON will replace or repair any fan which has faulty performance due to a defect in material or workmanship. Contact

Craftmade/Ellington Customer Service at **1-800-486-4892** to arrange for return of fan. Return fan, shipping prepaid, to Craftmade/Ellington. We will repair or ship you a replacement fan, and we will pay the return shipping cost.

5-YEAR WARRANTY: CRAFTMADE/ELLINGTON will repair or replace at no charge to the original purchaser any fan motor that fails to operate satisfactorily when failure results from normal use.

RETURN FAN MOTOR ONLY, shipping prepaid, to Craftmade/Ellington. We will repair or ship purchaser a replacement motor and Craftmade/Ellington will pay the return shipping cost.

6-YEAR to LIFETIME LIMITED WARRANTY:

CRAFTMADE/ELLINGTON will repair the fan, at no charge for labor only to the original purchaser, if the fan motor fails to operate satisfactorily when failure results from normal use. Parts used in the repair will be billed to the purchaser at prevailing prices at time of repair.

The purchaser shall be responsible for all costs incurred in the removal, reinstallation and shipping of the product for repairs.

This warranty does not apply when damage from mechanical, physical, electrical or water abuse results in causing the malfunction. Deterioration of finishes or other parts due to time or exposure to salt air is specifically exempted under this warranty.

Neither Craftmade/Ellington nor the manufacturer will assume any liability resulting from improper installation or use of this product. In no case shall the company be liable for any consequential damages for breach of this, or any other warranty expressed or implied whatsoever. This limitation as to consequential damages shall not apply in states where prohibited.

ELLINGTON
CEILING FANS **by Craftmade**



Penbrooke

Guía de instalación

Para modelos:

PNB52AO5

PNB52BNK5

PNB52ESP5

PNB52OBG5

Índice de materias:

Sugerencias de seguridad. Pág. 1

Desempaquetado del ventilador. Pág. 2

Inventario de piezas. Pág. 2

Preparación para la instalación. Pág. 3

Instalación del soporte de montaje. Pág. 3

Ensamblaje del ventilador. Págs. 4 - 5

Instalación eléctrica. Pág. 6

Colocación de la cubierta decorativa. Pág. 6

Colocación de las aspas. Pág. 7

Instalación del juego de luz (opcional). Págs. 7 - 8

Verificación del funcionamiento del ventilador. Pág. 9

Localización de fallas. Pág. 10

Piezas de repuesto. Pág. 10

Garantía. Pág. 10



peso neto del ventilador: 8,6 kg. (18,96 lb)

IMPRESO EN CHINA

SUGERENCIAS DE SEGURIDAD.

ADVERTENCIA: Para evitar la posibilidad de una descarga eléctrica, desconectar la corriente en la caja de fusibles principal o el interruptor protector antes de iniciar la instalación del ventilador o antes de repararlo o instalar accesorios.

1. **LEER TODAS LAS INSTRUCCIONES E INFORMACION DE SEGURIDAD CUIDADOSAMENTE ANTES DE INSTALAR SU VENTILADOR Y GUARDAR ESTAS INSTRUCCIONES.**

PRECAUCION: Para reducir el riesgo de daño corporal, es posible que sea necesario usar guantes al manejar las piezas del ventilador que tengan bordes afilados.

2. Asegurarse de que todas las conexiones eléctricas cumplan con los Códigos o las Ordenanzas Locales, el Código Nacional Eléctrico, y ANSI/NFPA 70-1999. Si usted no está familiarizado con el alambrado eléctrico o los cables de la casa/el edificio son de colores diferentes a los cuales se refieren en las instrucciones, favor de buscar un electricista calificado.
3. Asegurarse de que haya localizado una ubicación para su ventilador que permite el espacio necesario para la rotación de las aspas y por lo menos 2,13 metros (7 pies) de espacio libre entre el piso y las puntas de las aspas. Debe instalar el ventilador para que las puntas de las aspas queden a una distancia de por lo menos 76 centímetros (30 pulgadas) de las paredes y otras estructuras verticales.
4. La caja de salida eléctrica debe estar bien sujeta a la viga de soporte del techo y deben ser capaces de sostener por lo menos 16 kilogramos (35 libras). La caja debe tener apoyo directo de la estructura del edificio. Sólo usar cajas de salida registradas con CUL (Canadá) o UL (EEUU) que indican que "sirven para ventilador" ("FOR FAN SUPPORT" en inglés).

ADVERTENCIA: Para reducir el riesgo de incendio, descarga eléctrica o daño corporal, instalar en la caja de salida marcada "Aceptable para sostener ventilador de 15,9 kg (35 lb) o menos" ["Acceptable for Fan Support of 15.9 kg (35 lb) or less"] y utilizar los tornillos proporcionados con la caja de salida. La mayoría de las cajas de salida que normalmente se usan para sostener los aparatos de alumbrado no siempre son apropiadas para sostener ventiladores y es posible que las tenga que reemplazar. En caso de duda, consultar con un electricista calificado.

ADVERTENCIA: Para reducir el riesgo de incendio, descarga eléctrica o daño corporal, los conectores para cable provistos con este ventilador son diseñados para aceptar sólo un cable de calibre 12 de la casa y dos cables principales del ventilador. Si el calibre del cable de la casa es superior al 12 o hay más de un cable de la casa para conectar a los cables principales del ventilador al cual corresponda cada uno, consultar con un electricista para informarse sobre el tamaño correcto de conectores para cable que se debe usar.

5. Los diagramas eléctricos son únicamente para referencia. Los juegos de luz que no se incluyen con el ventilador deben tener el símbolo CUL (Canadá) o UL (EEUU) y también deben indicar que sirven para uso con este ventilador. Los interruptores deben ser interruptores de uso general CUL (Canadá) o UL (EEUU). Referirse a las instrucciones incluidas con el juego de luz y los interruptores para ensamblarlos correctamente.
6. Después de haber terminado la instalación, asegurarse de que todas las conexiones estén totalmente seguras.
7. Después de haber terminado todas las conexiones eléctricas, los conductores empalmados deben ser volteados para arriba y colocados cuidadosamente dentro de la caja de salida. Los alambres se deben de separar con el conductor a tierra a un lado y el conductor a tierra del equipo al lado opuesto.

ADVERTENCIA: Para reducir el riesgo de incendio o una descarga eléctrica, no usar el ventilador con ningún control de velocidad de estado sólido ni controlar la velocidad del ventilador con un interruptor con reductor de luz de gama completa. [El usar un interruptor con reductor de luz de gama completa para controlar la velocidad del ventilador causará un zumbido recio del ventilador.] **(Nota:** Este ventilador *sí* sirve para usar con control remoto.)

8. No utilizar el interruptor de reversa hasta que el ventilador se haya parado completamente.
9. No insertar ningún objeto entre las aspas mientras estén rotando.

ADVERTENCIA: Para reducir el riesgo de daño corporal, no doblar los brazos de las aspas durante el ensamblaje ni durante la instalación. No insertar objetos entre las aspas mientras estén rotando.

ADVERTENCIA: Para reducir el riesgo de daño corporal o algún daño al ventilador, tener cuidado al estar trabajando alrededor del ventilador o limpiándolo.

10. No utilizar agua ni detergentes para limpiar el ventilador ni las aspas. Usar un trapo seco o ligeramente húmedo para su limpieza general.

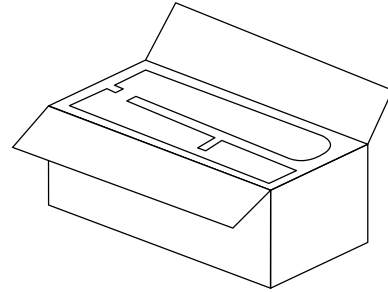
ADVERTENCIA: Para reducir el riesgo de daño corporal, usar **sólo** las piezas provistas con este ventilador. **Al usar piezas DISTINTAS a las provistas con este ventilador se invalidará la garantía.**

NOTA: No se debe concluir que las precauciones de seguridad importantes e instrucciones en este manual van a abarcar todas las condiciones y situaciones posibles que puedan ocurrir. Se debe entender que el sentido común y la precaución son factores necesarios en la instalación y la operación de este ventilador.

1. Desempaquetado del ventilador.

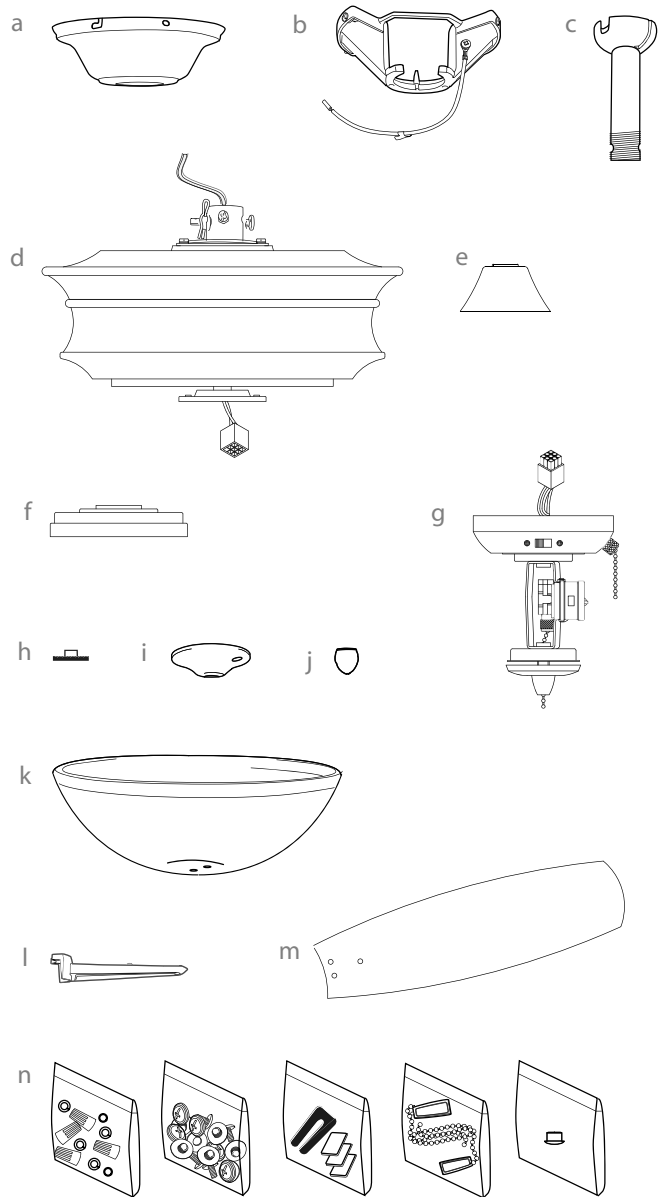
Abrir el empaque cuidadosamente. Sacar los artículos del embalaje. Sacar el motor y ponerlo en una alfombra o en el embalaje para evitar rayar el acabado. Guardar la caja de cartón o el empaquetamiento original en caso de que tenga que mandar el ventilador para alguna reparación.

Comprobar las piezas del ventilador con el inventario de piezas y verificar que se incluyeron todas.



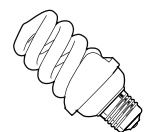
2. Inventario de piezas.

- a.** cubierta decorativa. 1 unidad
- b.** soporte de montaje. 1 unidad
- c.** tubo y bola que sirve para colgar. 1 unidad
- d.** bastidor del motor. 1 unidad
- e.** cubierta del cuello. 1 unidad
- f.** placa de conexión. 1 unidad
- g.** conector para el juego de luz. 1 unidad
- h.** arandela enroscada (fijada de antemano al conector para el juego de luz). 1 unidad
- i.** placa del adorno con rosca (fijada de antemano al conector para el juego de luz). 1 unidad
- j.** adorno con rosca (fijado de antemano al conector para el juego de luz). 1 unidad
- k.** pantalla de vidrio. 1 unidad
- l.** brazo para el aspa. 5 unidades
- m.** aspa. 5 unidades
- n.** paquetes de artículos de ferretería



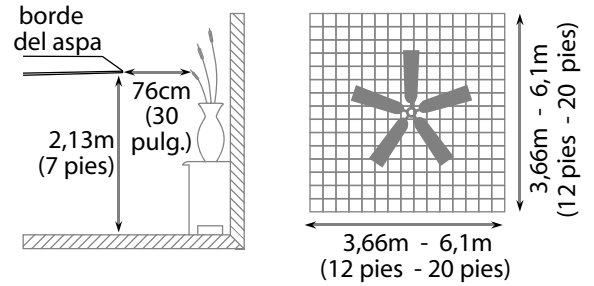
! RECORDATORIO IMPORTANTE:
Se tienen que utilizar las piezas provistas con este ventilador para una instalación adecuada y su seguridad. **!**

bombillas necesarias:
2 bombillas fluorescentes compactas de base mediana de 13 vatios (incluidas)



3. Preparación para la instalación.

Para prevenir daño corporal y otros daños, estar seguro de que el lugar en donde va a colgar el ventilador le permite un espacio libre de 2,13m (7 pies) entre las puntas de las aspas y el piso y 76cm (30 pulg.) entre las aspas y cualquier pared u otra obstrucción. Este ventilador es adecuado para habitaciones hasta 37,2 metros cuadrados (400 pies cuadrados).

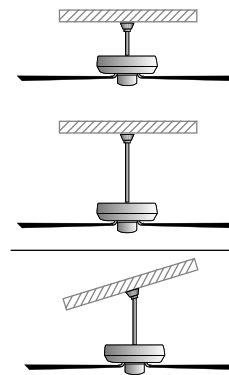


Se puede colgar este ventilador **con el tubo** en un techo regular (sin inclinación) o abovedado. La longitud colgante se puede extender comprando un tubo más largo (con diámetro de 1,27cm/0,5 pulg.). Después de instalar el soporte de montaje, continuar con la sección 5 en la página 4 para esas instrucciones. También se puede instalar este ventilador **al ras con el techo** sólo en un techo regular sin inclinación. Después de instalar el soporte de montaje, continuar con la sección 6 en la página 5 para esas instrucciones.

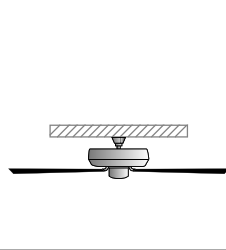
Se necesitan las herramientas siguientes para la instalación:

Destornillador de estrella Phillips, destornillador de paleta (plano), alicates ajustables o llave de tuercas, escalera de tijera, cortaalambres y cinta aisladora.

instalación con tubo



instalación al ras con el techo



El ángulo de inclinación de un techo abovedado no debe exceder los 25 grados.

4. Instalación del soporte de montaje.

Apagar los cortacircuitos en el panel de electricidad que suplen corriente a la caja de salida y asegurarse de que el interruptor de luz esté APAGADO.

ADVERTENCIA: El no desconectar el suministro de fuerza antes de la instalación puede tener por resultado lesiones graves.

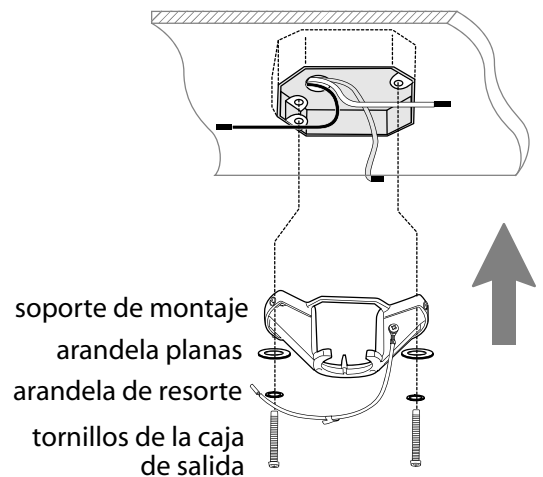
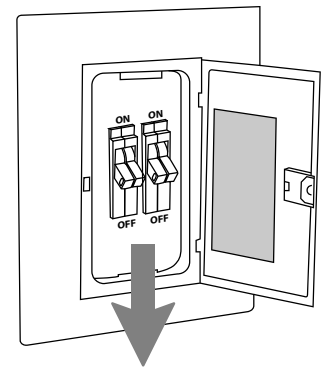
Quitar el aparato existente.

ADVERTENCIA: Si utiliza una caja de salida existente, asegurarse de que la caja de salida esté firmemente conectada a la estructura del edificio y que sea capaz de sostener el peso total del ventilador. Asegurarse de que la caja de salida indique claramente que "Sirve para ventilador" (FOR FAN SUPPORT); si no, se debe reemplazar con una caja de salida aprobada. El no hacer el cambio si es necesario puede resultar en lesiones graves.

PRECAUCION: Asegurarse de que la caja de salida esté conectada a tierra correctamente y que haya un conductor a tierra (**VERDE** o pelado).

Instalar el soporte de montaje utilizando los tornillos originales, las arandelas de resorte y las arandelas planas de su nueva o existente caja de salida.* Si hace la instalación en un techo abovedado, colocar el soporte de montaje con la abertura dirigida hacia la parte alta del techo. Arreglar el alambrado eléctrico (los cables) en la parte de atrás del soporte y lejos de la abertura del soporte.

***Nota:** Es muy importante usar los artículos de ferretería correctos al instalar el soporte de montaje puesto que sirve para sostener el ventilador.



5. Ensamblaje del ventilador (con tubo).

Quitar la bola que sirve para colgar del tubo provisto aflojando el tornillo de fijación de la bola que sirve para colgar. Bajar la bola que sirve para colgar y sacar el perno de tope y luego quitar la bola que sirve para colgar deslizándola. [Referirse al **diagrama 1**.]

Aflojar los tornillos de fijación del cuello y las tuercas en la parte superior del bastidor del motor. Quitar el perno y la clavija del cuello del bastidor del motor. [Referirse al **diagrama 2**.]

Sugerencia: Para preparar los cables para pasarlos por el tubo, poner un pedacito de cinta aisladora en la punta de los cables—esto mantendrá los cables juntos al pasarlos por el tubo. [Referirse al **diagrama 2**.]

Determinar el largo del tubo que desea usar. Pasar los cables del ventilador y el cable de seguridad a través del extremo roscado del tubo y con cuidado jalar el cableado en exceso por la parte de arriba del tubo. [Referirse al **diagrama 2**.]

Enroscar el tubo en el cuello del bastidor del motor hasta alinearse los agujeros para el perno y la clavija en el tubo con los del cuello—asegurarse de que no se tuerzan los cables. Volver a introducir el perno y la clavija que se quitaron anteriormente. Apretar los tornillos de fijación del cuello y la tuerca completamente. [Referirse al **diagrama 2**.]

Deslizar la cubierta del cuello y la cubierta decorativa por el tubo. [Referirse al **diagrama 3**.]

Pasar el cable de seguridad y los cables por la bola que sirve para colgar y luego deslizar la bola que sirve para colgar sobre el tubo—la parte de arriba del tubo debe tener el agujero para el tornillo de fijación en ese extremo; usar ese agujero al colocar el tornillo de fijación. Introducir el perno de tope en la parte de arriba del tubo y subir la bola que sirve para colgar. Asegurarse de que el perno de tope se ponga en línea con las ranuras dentro de la bola que sirve para colgar. Apretar bien el tornillo de fijación. [Referirse al **diagrama 4**.]

ADVERTENCIA: Si no se aprieta bien el tornillo de fijación (en la bola que sirve para colgar) es posible que se afloje el ventilador y que se caiga.

[El "Ensamblaje del ventilador" continúa en la página siguiente.]

NOTA: No se debe concluir que las precauciones de seguridad importantes e instrucciones en este manual van a abarcar todas las condiciones y situaciones posibles que puedan ocurrir. Se debe entender que el sentido común y la precaución son factores necesarios en la instalación y la operación de este ventilador.

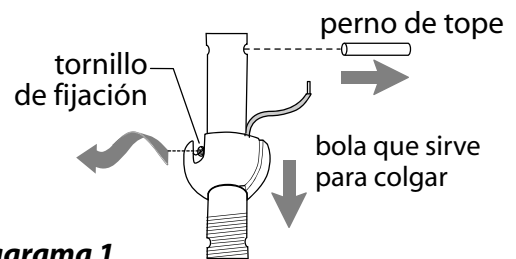


diagrama 1

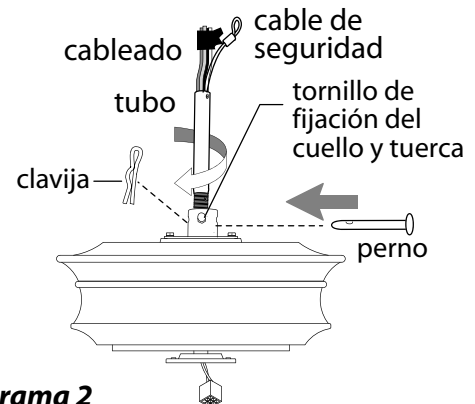


diagrama 2

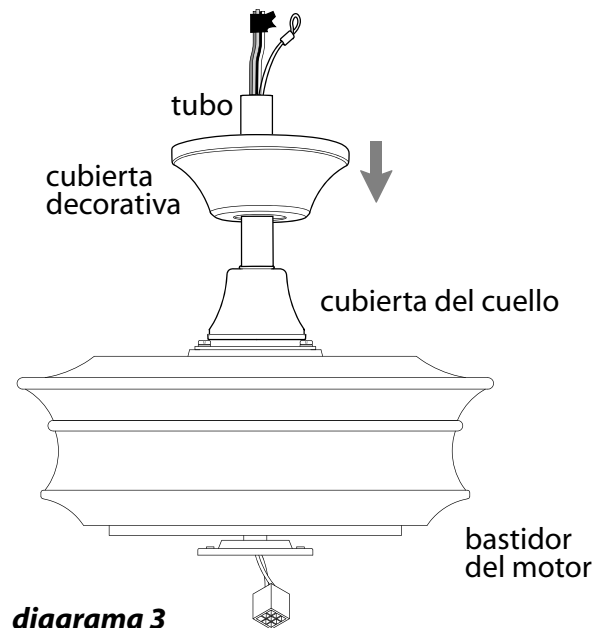


diagrama 3

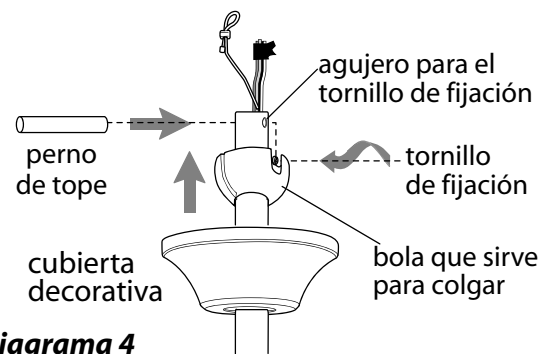


diagrama 4

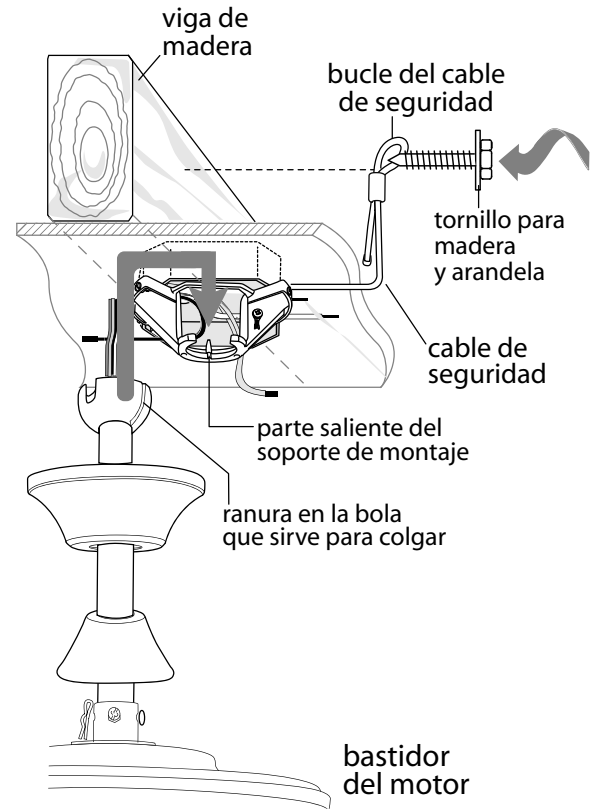
5. Ensamblaje del ventilador (con tubo). (cont.)

Ya que esté sujetado el soporte de montaje a la caja de salida y capaz de apoyar el ventilador, usted está listo para colgar el ventilador. Agarrar el ventilador firmemente con las dos manos. Deslizar el tubo por la abertura del soporte de montaje y dejar que se detenga la bola en el soporte de montaje. Girar la bola que sirve para colgar hasta que la ranura de la bola se alinee con la parte saliente del soporte de montaje.

ADVERTENCIA: El no alinear la ranura en la bola que sirve para colgar con la parte saliente del soporte de montaje puede causar lesiones graves o la muerte.

Sugerencia: Solicitar ayuda de otra persona para mantener sujeta la escalera y para que le suba el ventilador cuando usted ya esté preparado en la escalera para colgarlo.

Encontrar un punto de acoplamiento seguro (se recomienda la viga de madera en el techo) y asegurar el cable de seguridad. Utilizar tornillo para madera para trabajos pesados, arandela y arandela de seguridad (no provistos) en el bucle del cable de seguridad. Si es necesario, ajuste el bucle en el extremo del cable de seguridad. El bucle en el extremo del cable de seguridad debe ser de tal tamaño que pase justo sobre la punta de la parte roscada del tornillo para madera. *Poner el cable a prueba jalando con un alicate la parte suelta en la punta del cable. Si el cable se desliza o se reduce el bucle del cable por donde pasa el tornillo, hay que ajustar el bucle de nuevo. Se puede poner el cable en exceso en el área del techo.*



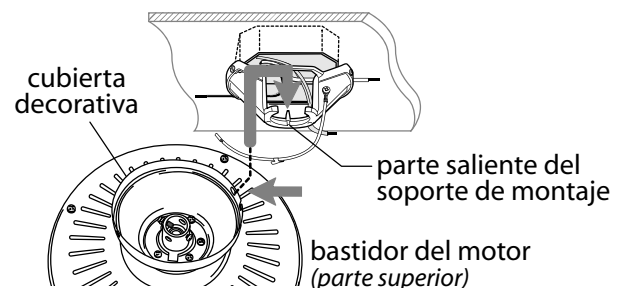
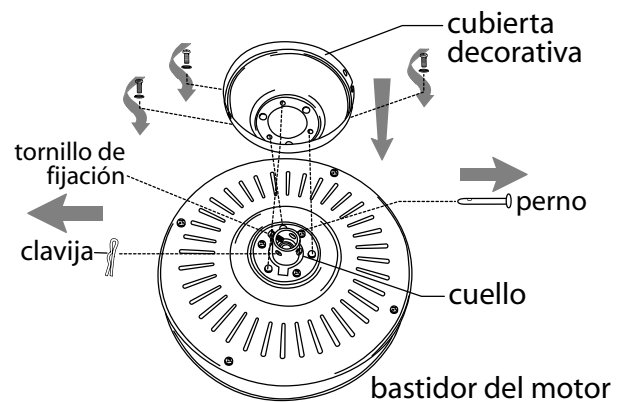
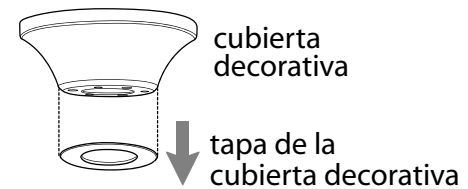
6. Ensamblaje del ventilador (al ras con el techo).

Quitar el anillo de hule de la cubierta decorativa y echarlo a un lado dejando que se vean 6 agujeros. Darse cuenta de que 3 de ellos son más grandes.

Si hay solamente 3 tornillos en la parte de arriba del bastidor del motor, favor de pasar al párrafo siguiente. Si hay 6 tornillos en la parte de arriba del bastidor del motor, quitar cada otro tornillo y arandela de seguridad.

Quitar el perno, la clavija y los tornillos de fijación del cuello del bastidor del motor. Pasar el cableado y el cable de seguridad por la cubierta decorativa. Colocar la cubierta decorativa encima del cuello, alineando los agujeros más grandes en la cubierta decorativa con los 3 tornillos existentes en la parte de arriba del bastidor del motor. Introducir los 3 tornillos y las 3 arandelas de seguridad que se quitaron (si sólo habían 3 tornillos en la parte de arriba del bastidor del motor, estos tornillos/arandelas de seguridad se encontrarán en uno de los paquetes de artículos de ferretería) en los demás agujeros. Apretar bien dichos tornillos.

Para preparar el ventilador para hacer la instalación eléctrica, colgar el ventilador en el soporte de montaje colocando la cubierta decorativa en la parte saliente del soporte de montaje. (Usar uno de los agujeros que no tenga ranura en el borde de la cubierta decorativa para hacerlo.)



7. Instalación eléctrica.

PRECAUCIÓN: Asegurarse de que la caja de salida esté conectada a tierra como es debido o que exista un conductor a tierra (**VERDE** o pelado).

Asegurarse de que toda conexión eléctrica cumpla con los Códigos o las Ordenanzas Locales y el Código Nacional Eléctrico. Si usted no está familiarizado con la instalación eléctrica o los cables de la casa/el edificio son de colores diferentes a los cuales se refieren a continuación, favor de buscar un electricista calificado.

Nota: El exceso de longitud de alambrado que sale del ventilador, se puede cortar al largo deseado y luego pelarlo.

Una vez que el ventilador esté bien sujeto en el soporte de montaje, se puede hacer la instalación eléctrica como sigue:

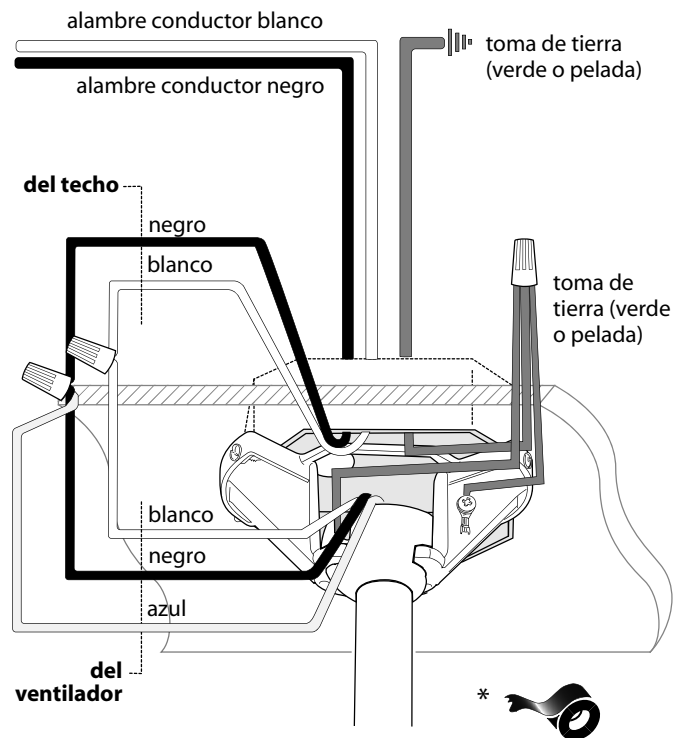
Conectar los cables **NEGRO** y **AZUL** del ventilador al cable **NEGRO** del techo con un conector para cable provisto.

Conectar el cable **BLANCO** del ventilador al cable **BLANCO** del techo con un conector para cable provisto.

Conectar todos los conductores a **TIERRA** (**VERDES**) del ventilador a los **PELADOS/VERDES** del techo con un conector para cable provisto.

Si usted piensa controlar la luz del ventilador con un interruptor distinto, conectar el cable **AZUL** del ventilador al conductor **NEGRO** (o **ROJO**) que corresponde al interruptor independiente.

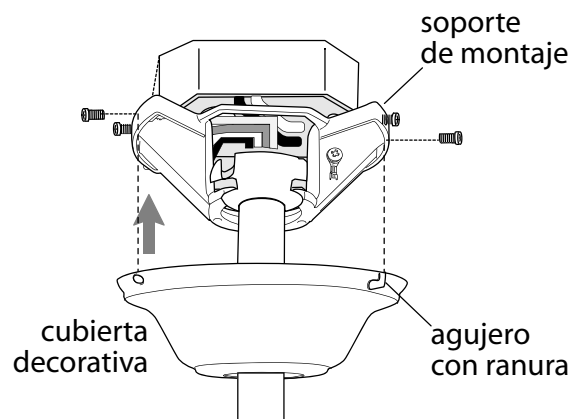
* Como una medida de seguridad adicional, envolver cada conector para cable por separado con cinta aisladora.



8. Colocación de la cubierta decorativa.

Temporalmente subir la cubierta decorativa al soporte de montaje para determinar cuáles 2 tornillos en el soporte de montaje se alinean con los agujeros con **ranura** en la cubierta decorativa, y luego bajar la cubierta decorativa y *parcialmente aflojar* dichos tornillos. Quitar los **otros 2** tornillos y ponerlos a un lado.

Ahora, levantar la cubierta decorativa al soporte de montaje de nuevo, alineando los agujeros con ranura en la cubierta decorativa con los tornillos aflojados en el soporte de montaje. Girar la cubierta decorativa para cerrarla. Volver a introducir los otros 2 tornillos y asegurar todos los tornillos con un destornillador de estrella Phillips.



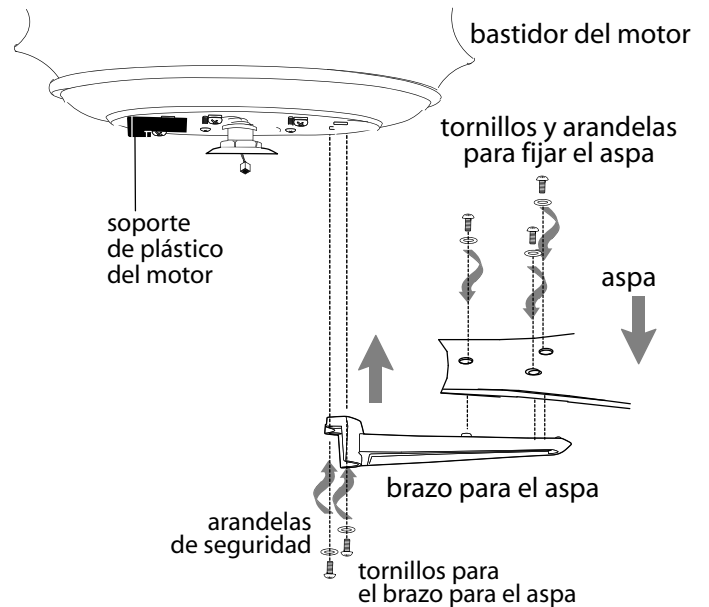
9. Colocación de las aspas.

Para ahorrar tiempo: Se pueden poner las arandelas en los tornillos que son para las aspas antes de colocar las aspas.

Localizar 15 tornillos y arandelas para fijar las aspas en uno de los paquetes de artículos de ferretería. Agarrar uno de los brazos para las aspas y juntarlo con una de las aspas para alinear los agujeros. Introducir 3 tornillos para fijar las aspas (junto con las arandelas) con los dedos primero y luego apretar los tornillos bien con un destornillador de estrella Phillips. Repetir el procedimiento con las demás aspas.

Sacar los tornillos para los brazos para las aspas y las arandelas de seguridad del lado inferior del motor del ventilador. Si se han instalado soportes de plástico con los tornillos para el brazo para el aspa, desechar los soportes de plástico (*guardar los tornillos para el brazo para el aspa y las arandelas de seguridad para asegurar los brazos para el aspa*). Alinear los agujeros de uno de los brazos para las aspas con los agujeros para los tornillos en el motor y fijar el brazo para el aspa con arandelas de seguridad y tornillos para el brazo para el aspa. Antes de apretar los tornillos bien, repetir el mismo procedimiento con los demás brazos para las aspas. Apretar bien todos los tornillos.

Nota: Apretar los tornillos para los brazos para el aspa dos veces al año.



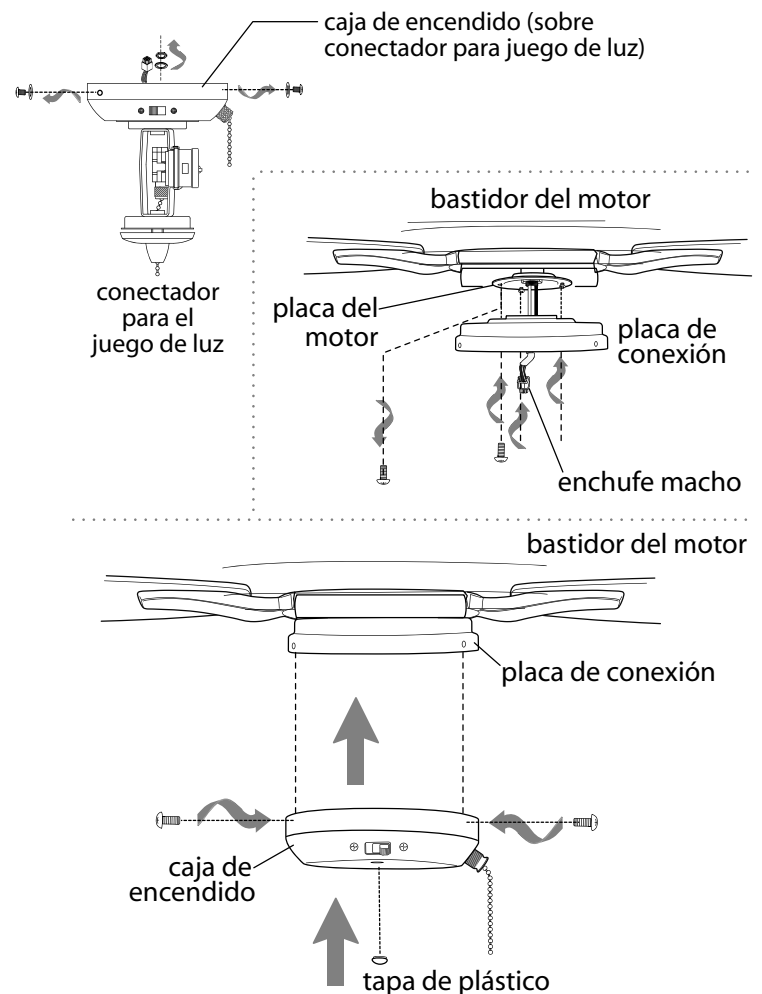
10. Instalación del juego de luz (opcional).

Quitar los 3 tornillos en el borde exterior de la placa de conexión (*guardarlos para uso más adelante*).

Quitar 1 tornillo de la placa del motor (en el lado inferior del motor) y aflojar los otros 2 tornillos. Alinear los agujeros con ranura en la placa de conexión con los tornillos aflojados en la placa del motor, dejando que el enchufe macho del bastidor del motor pase por el agujero de en medio de la placa de conexión. Girar la placa de conexión para cerrarla. Volver a introducir el tornillo que se quitó anteriormente y asegurar los 3 tornillos con un destornillador de estrella Phillips.

Si desea utilizar el ventilador SIN el juego de luz, quitar la tuerca hexagonal y la arandela de seguridad de la varilla roscada en la parte superior del conector para el juego de luz y luego quitar la caja de encendido. Localizar la tapa de plástico en uno de los paquetes de artículos de ferretería y colocarla firmemente en el agujero de en medio de la caja de encendido. Alinear los agujeros en la caja de encendido con los agujeros en la placa de conexión. Conectar la caja de encendido a la placa de conexión con los 3 tornillos que se quitaron anteriormente. Asegurar los 3 tornillos con un destornillador de estrella Phillips.

[La "Instalación del juego de luz" continúa en la página siguiente.]



10. Instalación del juego de luz (opcional). (cont.)

Si desea utilizar el ventilador CON el juego de luz, conectar el enchufe macho de la caja de encendido al enchufe hembra del conector para el juego de luz. Asegurarse de que se conecten bien los enchufes.

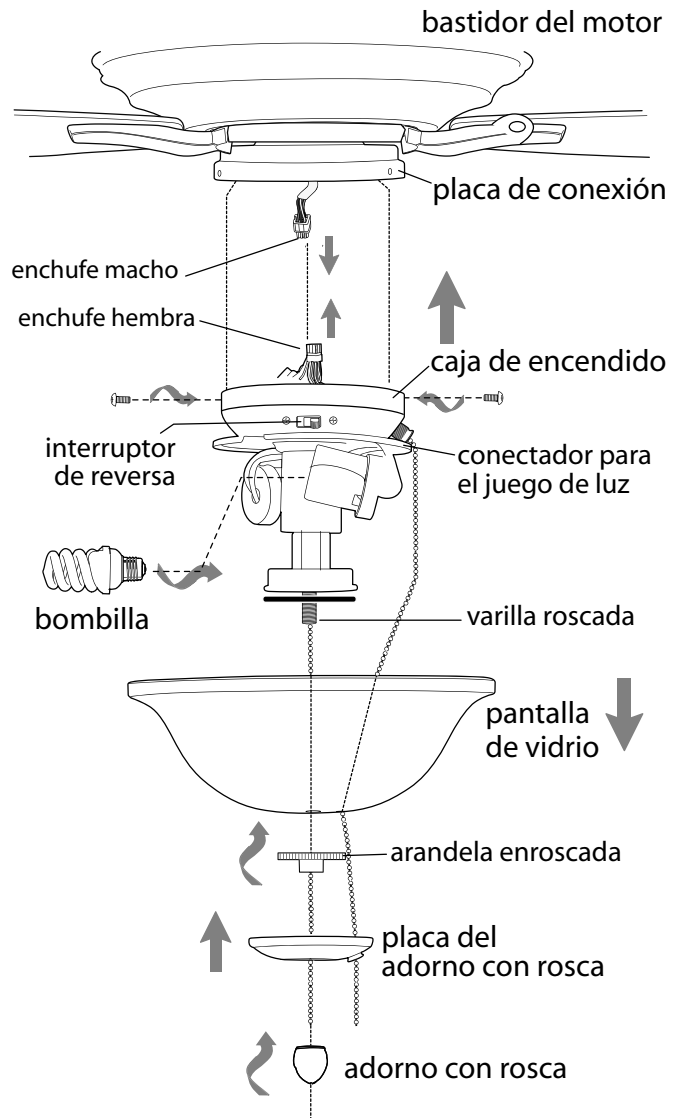
Cuidadosamente poner el cableado dentro de la placa de conexión y alinear los agujeros con ranura en la caja de encendido con los agujeros en la placa de conexión. Volver a introducir los tornillos que se quitaron anteriormente. Apretar bien los 3 tornillos con destornillador Phillips.

Instalar 2 bombillas fluorescentes compactas de base mediana de 13 vatios (incluidas). **Importante:** Al reemplazar las bombillas, favor de dejar que se enfríen la pantalla y las bombillas antes de tocarlas.

Quitar el adorno con rosca, la placa del adorno con rosca y la arandela enroscada de la varilla roscada del conector para el juego de luz.

Subir la pantalla de vidrio para pasar las cadenas de encendido por los agujeros correspondientes en la pantalla de vidrio. Alinear la varilla roscada en el conector para el juego de luz con el agujero de en medio de la pantalla de vidrio y, con cuidado, empujar hacia arriba hasta que la varilla roscada pase por el agujero. (Asegurarse de que la cadena de encendido del ventilador no roce la bombilla cuando esté prendido el ventilador). Asegurar la pantalla de vidrio con la arandela enroscada. **NO apretar la arandela enroscada demasiado ya que el vidrio se puede rajarse o romper.**

Alinear el agujero de en medio de la placa del adorno con rosca con la varilla roscada, dejando que las cadenas de encendido pasen por los agujeros correspondientes en la placa del adorno con rosca, y empujar hacia arriba. Pasar la cadena de encendido de en medio por el agujero en el adorno con rosca y volver a fijar el adorno con rosca. **NO apretar el adorno con rosca demasiado ya que el vidrio se puede rajarse o romper.**



Hg LA BOMBILLA CONTIENE MERCURIO

Manipule según las exigencias sobre derrames, eliminación y limpieza del lugar. En caso se rompa, siga el método de limpieza proporcionado por los siguientes contactos.

www.epa.gov/cflcleanup
1-866-284-4010

11. Verificación del funcionamiento del ventilador.

Se recomienda poner el ventilador a prueba antes de terminar la instalación. Regresar la corriente de electricidad en el cortacircuitos y encender el interruptor de la luz en la pared (si aplica). Verificar las velocidades del ventilador con la cadena de encendido. Empezar en estado de APAGADO (sin movimiento de las aspas). Con el primer tirón el ventilador estará en marcha ALTA. El segundo tirón pondrá el ventilador en marcha MEDIA. El tercer tirón bajará el ventilador a marcha BAJA. Con el cuarto tirón se APAGARÁ el ventilador de nuevo. Poner a prueba la luz jalando la cadena de encendido de en medio. (**diagrama 1**) Si el ventilador y/o la luz no funciona(n), favor de referirse a la sección "Localización de fallas" para resolver cualquier asunto antes de comunicarse con el Servicio al cliente.

Apagar el ventilador completamente *antes* de mover el interruptor de reversa (ubicado en la caja de encendido). Regularlo para que circule bien el aire dependiendo de las estaciones del año:

- posición IZQUIERDA en verano (**diagrama 2**)
- posición DERECHA en invierno (**diagrama 3**)

Un ventilador de techo le permitirá subir el termostato en verano y bajarlo en invierno sin notar una diferencia en su comodidad.

Importante: Hay que mover el interruptor de reversa o *completamente* hacia la IZQUIERDA o *completamente* hacia la DERECHA para que funcione el ventilador. Si el interruptor de reversa está puesto en la posición *de en medio* (**diagrama 4**), no funcionará el ventilador.

Fijar la(s) extensión(es) para la(s) cadena(s) de encendido provista(s) a la(s) cadena(s) de encendido o usar una(s) hecha(s) a medida (a la venta por separado).

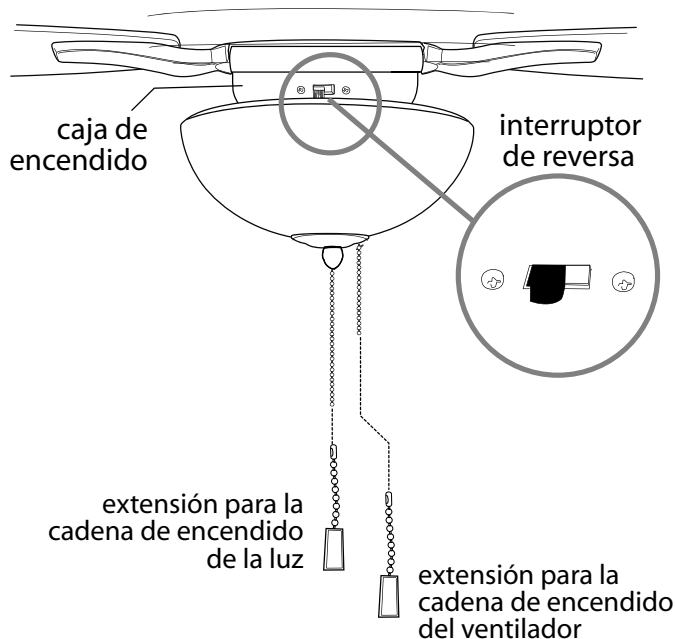


diagrama 1

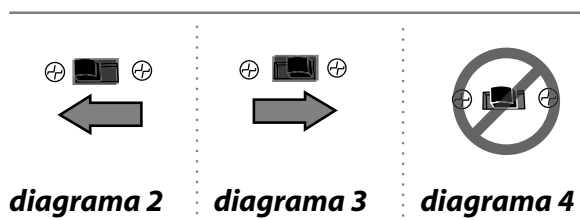


diagrama 2

diagrama 3

diagrama 4

Localización de fallas.

ADVERTENCIA: *El no desconectar el suministro de fuerza eléctrica antes de hacer localización de fallas para cualquier problema de instalación eléctrica puede causar lesiones graves.*

Problema: El ventilador no funciona.

Soluciones:

1. Inspeccionar el interruptor de pared del ventilador.
2. Verificar que el interruptor de reversa del ventilador está en una sola posición, no en medio de las dos.
3. Verificar la instalación eléctrica del ventilador.
4. Asegurarse de que se conectaron bien los enchufes macho y hembra en el conector para el juego de luz.

Problema: El juego de luz (opcional) no se ilumina.

Soluciones:

1. Inspeccionar el interruptor de pared del ventilador.
2. Verificar que se instalaron correctamente las bombillas.
3. Verificar que se hizo correctamente la conexión de cables en la cubierta decorativa.
4. Asegurarse de que se conectaron bien los enchufes macho y hembra en la caja de encendido.

Problema: El ventilador funciona pero la luz no (si se aplica).

Soluciones:

1. Verificar que se instalaron correctamente las bombillas.
2. Verificar que se hizo correctamente la conexión de cables en la cubierta decorativa.
3. Reemplazar bombillas defectuosas con el mismo tipo de bombilla.

Problema: El ventilador se tambalea.

Soluciones:

1. Usar el juego para balancear las aspas incluido en uno de los paquetes de artículos de ferretería. *Si no se incluye un juego para balancear las aspas, llamar al Servicio al cliente, 1-800-486-4892, para pedir uno.*
2. Averiguar que se apretó (apretaron) bien el (los) tornillo(s) de fijación en el cuello del bastidor del motor.
3. Averiguar que se apretó bien el tornillo de fijación en la bola que sirve para colgar.

Piezas de repuesto.

Para piezas o información, referirse al "Inventario de piezas" en la página 2.
Servicio al cliente de Craftmade/Ellington:
1-800-486-4892
www.craftmadebrands.com

Garantía.

GARANTIA LIMITADA DE POR VIDA DE CRAFTMADE/ELLINGTON:

CRAFTMADE/ELLINGTON garantiza este ventilador al comprador original de grupo familiar para uso interior con las siguientes condiciones:

GARANTIA DE 1 AÑO: CRAFTMADE/ELLINGTON reemplazará o reparará cualquier ventilador que tenga funcionamiento deficiente debido a defectos en los materiales o trabajo manual. Comunicarse con el Servicio al Cliente de CRAFTMADE/ELLINGTON al **1-800-486-4892** para acordar el reenvío del ventilador. Devolver el ventilador, con los gastos de envío prepagados, a Craftmade/Ellington. Nosotros repararemos o reemplazaremos el ventilador y pagaremos los gastos de envío de regreso.

GARANTIA DE 5 AÑOS: CRAFTMADE/ELLINGTON reemplazará o reparará sin costo al comprador original, cualquier motor de ventilador que no funcione de manera satisfactoria a causa de uso normal. **DEVOLVER EL MOTOR SOLAMENTE**, los gastos de envío prepagados, a Craftmade/Ellington. Nosotros repararemos el motor al comprador o le enviaremos uno de reemplazo y Craftmade/Ellington pagará los gastos de envío de regreso.

GARANTIA LIMITADA DE 6 AÑOS hasta DE POR VIDA: CRAFTMADE/ELLINGTON reparará el ventilador, sin costo al comprador original por el coste laboral, si el motor del ventilador no funciona satisfactoriamente a causa del uso normal. Las piezas que se utilizan en hacer la reparación serán facturadas al comprador a los precios preexistentes en el momento de la reparación.

El comprador original será responsable de todos los gastos incurridos en sacar, reinstalar y enviar el producto para reparación.

Esta garantía no se aplica cuando el ventilador tenga daños por abuso mecánico, físico, eléctrico o por agua resultando en su mal funcionamiento. Se exenta específicamente el deterioro en el acabado u otras partes debido al tiempo o exposición al aire marino bajo esta garantía.

Ni Craftmade/Ellington ni el fabricante se harán responsables por lo que pasa por una instalación inadecuada o el uso impropio de este producto. La compañía no se hará responsable en ningún caso de ningún daño emergente por incumplimiento de esta o cualquier otra garantía expresada o implicada en absoluto. Esta limitación de daños emergentes no se aplicará en estados donde es prohibido.

ELLINGTON
CEILING FANS **by Craftmade**



Penbrooke

Guide d'installation

Pour les modèles:

PNB52AO5

PNB52BNK5

PNB52ESP5

PNB52OBG5

Table des Matières :

Conseils de sécurité. p. 1

Déballage de votre ventilateur. p. 2

Inventaire pièces. p. 2

Préparation de l'installation. p. 3

Installation du support de suspension. p. 3

Groupe ventilateur. p. 4 - 5

Câblage. p. 6

Montage de la garniture. p. 6

Assemblage des pales. p. 7

Assemblage du Kit d'éclairage (facultatif). p. 7 - 8

Tester votre ventilateur. p. 9

Dépannage. p. 10

Pièces de rechange. p. 10

Garantie. p. 10



poids net du ventilateur : 8,6 kg (18,96 lb)

IMPRIMÉ EN CHINE

CONSEILS DE SÉCURITÉ.

AVERTISSEMENT : Afin de réduire le danger d'électrocution, coupez l'alimentation électrique du ventilateur au niveau du disjoncteur, de l'armoire ou du panneau électrique principal avant de commencer l'installation du ventilateur ou avant d'entreprendre des travaux de réparation ou avant d'installer des accessoires.

1. **LISEZ ATTENTIVEMENT TOUTES LES INSTRUCTIONS ET LES INFORMATIONS DE SÉCURITÉ AVANT D'INSTALLER VOTRE VENTILATEUR ET CONSERVEZ CES INSTRUCTIONS.**

ATTENTION : Pour éviter toute blessure corporelle, il peut s'avérer nécessaire de porter des gants lors de la manutention de pièces de ventilateur qui présentent des bords coupants.

- Assurez-vous que tous les branchements électriques sont conformes aux Codes et Ordonnances locales, au Code Électrique national, et à l'ANSI/NFPA 70-1999. Si vous n'êtes pas familier avec le câblage électrique ou si les câbles de la maison/bâtiment sont de couleurs différentes de celles auxquelles il est fait référence dans ces instructions, alors veuillez faire appel à un électricien qualifié.
- Assurez-vous que l'endroit que vous avez choisi pour votre ventilateur présente un espace suffisant pour permettre aux pales de tourner librement et une distance d'au moins 2,13 mètres (7 pieds) entre le sol et les extrémités des pales du ventilateur. Le ventilateur doit être monté de telle sorte qu'il y ait un espace d'au moins 76 centimètres (30 pouces) entre les extrémités des pales et les murs ou autres structures verticales.
- La boîte de sortie et la poutre de support du plafond doivent être solidement arrimées et capables de soutenir une charge d'au moins 16 kilogrammes (35 livres). La boîte de sortie doit être montée directement sur une structure porteuse du bâtiment. Veillez à n'utiliser que des boîtes de sortie approuvées CUL (Canada) ou UL (USA) portant l'inscription « ADAPTÉ POUR SOUTENIR UN VENTILATEUR ».

AVERTISSEMENT : Afin de minimiser les risques d'incendie, d'électrocution ou de blessures corporelles, montez sur une boîte de sortie portant la mention « Convient pour soutenir un ventilateur de 15,9 kg (35 Lb) maximum » [« Acceptable for Fan Support of 15.9 kg (35 lb) or less »] et utilisez les vis de fixation fournies avec la boîte de sortie. La plupart des boîtes de sortie communément utilisées pour soutenir des luminaires ne sont pas adéquates pour soutenir un ventilateur et devront éventuellement être remplacées. Consultez un électricien qualifié en cas de doute.

AVERTISSEMENT : Pour réduire les risques d'incendie, d'électrocution ou de blessures corporelles, les connecteurs de fils fournis avec ce ventilateur sont conçus pour n'accepter qu'un fil résidentiel de calibre 12 et deux fils en provenance du ventilateur. Si le fil résidentiel est d'un calibre supérieur à 12 ou s'il y a plus d'un fil résidentiel à connecter aux fils correspondants du ventilateur, consulter un électricien pour savoir quelle taille de connecteurs de fils utiliser.

- Les schémas électriques ne sont fournis que pour référence. Les kits d'éclairage qui ne sont pas livrés avec le ventilateur doivent être homologués CUL (Canada) ou UL (USA) avec une mention précisant qu'ils sont adaptés au modèle de ventilateur que vous installez. Les commutateurs doivent être des interrupteurs de type générique homologués CUL (Canada) ou UL (USA). S'en référer aux instructions accompagnant les kits d'éclairage et commutateurs pour un montage correct.
- Lorsque l'installation est terminée, vérifiez que toutes les connexions sont correctement et solidement effectuées.
- Après avoir effectué des branchements électriques, les fils ainsi raccordés doivent être tournés vers le haut et insérés dans la boîte de sortie avec précaution. Les fils doivent être séparés avec le fil de terre et le fil de raccordement à la terre de l'unité positionnés sur les côtés opposés de la boîte de sortie.

AVERTISSEMENT : Afin de réduire le danger d'électrocution ou d'incendie, ne pas utiliser ce ventilateur avec un variateur de vitesse à circuit intégré ou régler la vitesse à l'aide d'un interrupteur à variateur intégral. [Le fait d'utiliser un interrupteur à variateur intégral pour contrôler la vitesse du ventilateur occasionnera un vrombissement sourd en provenance du ventilateur.] (**Remarque** : Ce ventilateur est adapté pour utilisation avec une commande à distance.)

- Ne pas actionner le commutateur d'inversion avant que le ventilateur ne soit parvenu à un arrêt complet.
- Ne rien insérer entre les pales du ventilateur lorsqu'elles sont en mouvement.

AVERTISSEMENT : En vue de réduire le risque de blessures corporelles, évitez de plier les bras de pales pendant le montage ou après installation. Ne pas introduire d'objets dans la trajectoire des pales.

AVERTISSEMENT : Pour éviter toute blessure corporelle ou dommage au ventilateur et autres éléments, faites preuve de prudence lorsque vous travaillez autour du ventilateur ou lorsque vous le nettoyez.

- Ne pas utiliser d'eau ou de détergents pour nettoyer le ventilateur ou les pales du ventilateur. Un chiffon sec ou légèrement humide se prête bien à la plupart des tâches de nettoyage.

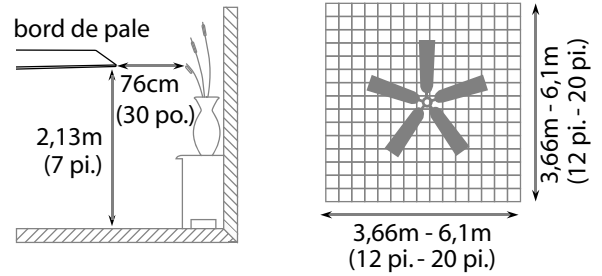
AVERTISSEMENT : Afin de réduire le risque de blessures corporelles, n'utiliser que les pièces livrées avec ce ventilateur. **L'utilisation de toutes pièces AUTRES que celles fournies avec ce ventilateur annulera la garantie.**

REMARQUE : Les précautions de sécurité et les instructions importantes figurant dans le manuel ne sauraient prévoir toutes les conditions et situations possibles. Il est entendu que le bon sens et la prudence sont de rigueur pour l'installation et l'utilisation de ce ventilateur.

3. Préparation de l'installation.

Pour éviter les risques de blessures corporelles et de dégâts, assurez-vous que l'emplacement où le ventilateur sera suspendu permettra un dégagement de 2,13 m (7 pi.) entre les pales et le sol et de 76 cm (30 po.) entre les pales et tout mur ou obstacle quelconque.

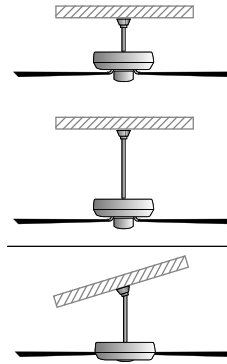
Ce ventilateur se prête à l'installation dans des pièces d'une surface pouvant aller jusqu'à 37,2 m² (400 pi.²).



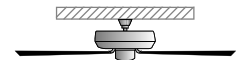
Ce ventilateur peut être suspendu à l'aide d'une **tige de suspension** d'un plafond ordinaire (sans pente) ou voûté. Il est possible d'acheter une tige de suspension plus longue (diamètre de 1,27cm - 0,5 po) pour rallonger la distance par rapport au plafond. *Après l'installation du support de suspension, passez à la Section 5 en page 4 pour les instructions qui s'y rapportent.* Ce ventilateur ne peut être monté **en encastré** que sur un plafond ordinaire (sans pente). *Après l'installation du support de suspension, passez à la Section 6 en page 5 pour les instructions qui s'y rapportent.*


Les outils suivants seront nécessaires pour l'installation : Tournevis Phillips (cruciforme), tournevis à tête plate, pince multiprise ou clé à molette, un escabeau, une pince coupante, et du ruban isolant homologué

installation avec tige de suspension



installation encastrée



 L'inclinaison de la voûte du plafond ne doit pas dépasser 25°.

4. Installation du support de suspension.

Coupez l'alimentation électrique du luminaire ou appareil en place au niveau des coupe-circuits du panneau électrique et assurez-vous que l'interrupteur qui en contrôle le fonctionnement est bien en position ARRÊT.

AVERTISSEMENT : *Le fait de ne pas débrancher l'alimentation électrique avant l'installation peut causer des blessures graves.*

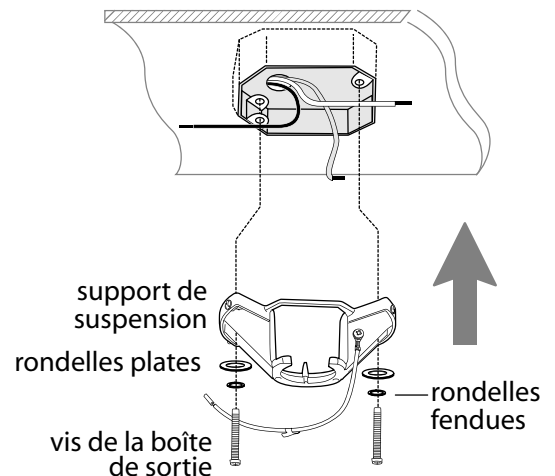
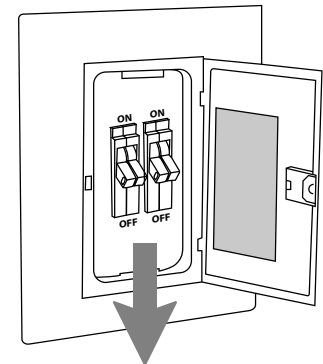
Déposez l'appareil existant.

AVERTISSEMENT : *Dans le cas de l'utilisation d'une boîte de sortie existante, veillez à s'assurer que la boîte de sortie est solidement fixée à la structure de la construction et qu'elle peut supporter la totalité du poids du ventilateur. Vérifiez que la mention "Adapté pour soutenir un ventilateur" ("FOR FAN SUPPORT") soit clairement indiquée sur la boîte de sortie. Si tel n'est pas le cas, elle doit être remplacée par une boîte de sortie approuvée. Tout défaut à cette règle peut résulter en des blessures graves.*

ATTENTION : *Assurez-vous que la boîte de sortie est correctement reliée à la terre et qu'il existe bien un fil de terre (VERT ou dénudé).*

Fixez le support de suspension sur la boîte de sortie à l'aide des vis, rondelles fendues et rondelles plates originales fournies avec une nouvelle boîte de sortie ou la boîte de sortie originale.* En cas d'installation dans un endroit avec un plafond voûté, il y a lieu de veiller à toujours diriger l'ouverture du support de suspension vers le point haut du plafond. Disposez le câblage derrière le support de suspension de telle sorte qu'il soit à l'écart de l'ouverture du support.

***Remarque :** *Il est très important d'utiliser les pièces de montage prévues à cet effet lorsque vous installez le support de suspension du fait que celles-ci seront appelées à supporter la charge du ventilateur.*



5. Groupe ventilateur (avec tige de suspension).

Retirer la rotule de suspension de la tige de suspension fournie en desserrant la vis de fixation située sur la rotule de suspension. Glisser la rotule de suspension vers le bas et retirez la goupille d'arrêt puis retirez la rotule de suspension de la tige de suspension. [Voir **Schéma 1.**]

Desserrer les vis de fixation et l'écrou de l'étrier situés sur la partie supérieure du carter moteur. Retirer l'ensemble goupille clavette de l'étrier du carter moteur. [Voir **Schéma 2.**]

Conseil : En préparation du passage des câbles électriques par l'intérieur de la tige de suspension, enrouler l'extrémité des fils électriques avec un petit bout d'isolant électrique - cela permettra de rassembler les fils pour le passage dans la tige de suspension. [Voir **Schéma 2.**]

Déterminer la longueur de tige de suspension que vous souhaitez utiliser. Passer le câble de sécurité et les fils électriques dans l'extrémité fileté de la tige de suspension et tirez l'excédent de fil par l'extrémité supérieure de la tige de suspension. [Voir **Schéma 2.**]

Glisser la tige de suspension dans l'étrier du carter moteur jusqu'à ce que les trous pratiqués dans la tige de suspension réservés pour la clavette et la goupille soient alignés sur les trous de l'étrier -- *veillez à ce que les fils ne soient pas torsadés.* Réinsérer la goupille et le clip précédemment retirés. Serrer les vis de fixation et les écrous de l'étrier fermement. [Voir **Schéma 2.**]

Glisser le couvre étrier et la garniture par dessus la tige de suspension. [Voir **Schéma 3.**]

Passer le câble de sécurité et les fils par l'ouverture de la rotule de suspension puis glisser la rotule de suspension dans la tige de suspension -- il est à noter que l'extrémité supérieure de la tige de suspension est celle qui est pourvue du trou destiné à recevoir la vis de fixation ; introduire la vis de fixation dans ce trou. Insérer la goupille d'arrêt dans l'extrémité supérieure de la tige de suspension et glisser la rotule de suspension vers le haut. S'assurer que la goupille d'arrêt soit alignée avec les fentes situées sur l'intérieur de la rotule de suspension. Serrer fermement la vis de fixation. [Voir **Schéma 4.**]

AVERTISSEMENT : Le défaut de serrer correctement la vis de fixation (située sur la rotule de suspension) peut entraîner la désolidarisation, voire la chute du ventilateur.

["Groupe ventilateur" suite à la page suivante.]

REMARQUE : Les précautions de sécurité et les instructions importantes figurant dans le manuel ne sauraient prévoir toutes les conditions et situations possibles. Il est entendu que le bon sens et la prudence sont de rigueur pour l'installation et l'utilisation de ce ventilateur.

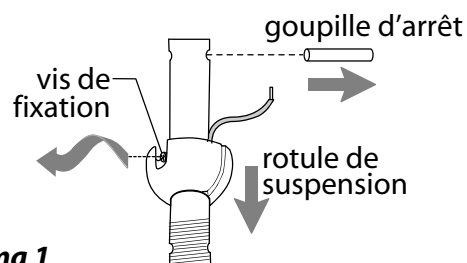


schéma 1

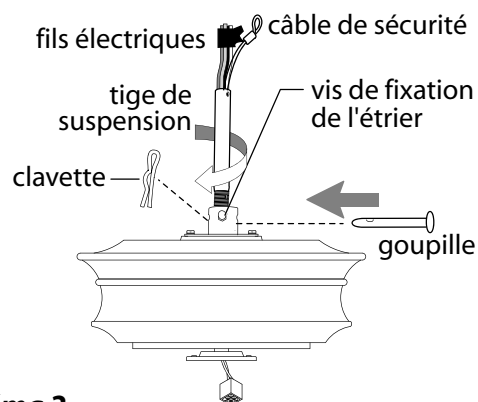


schéma 2

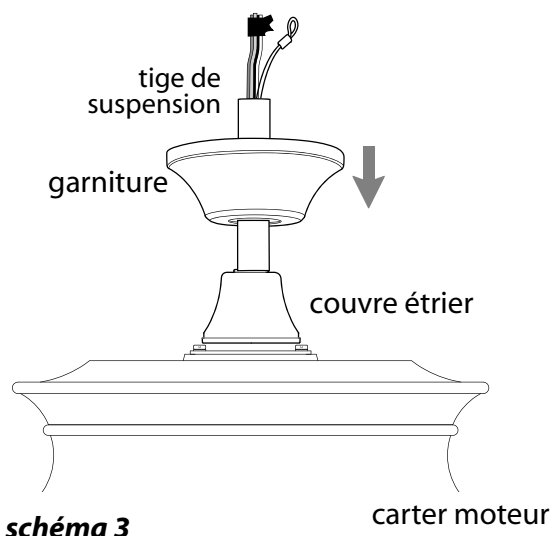


schéma 3

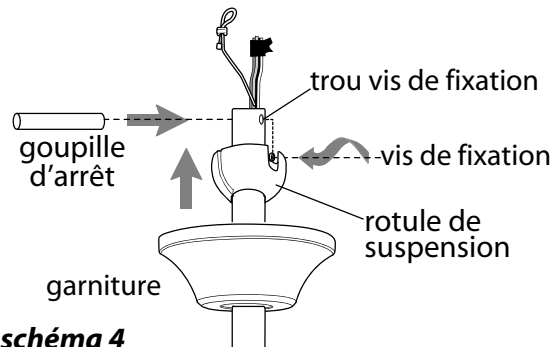


schéma 4

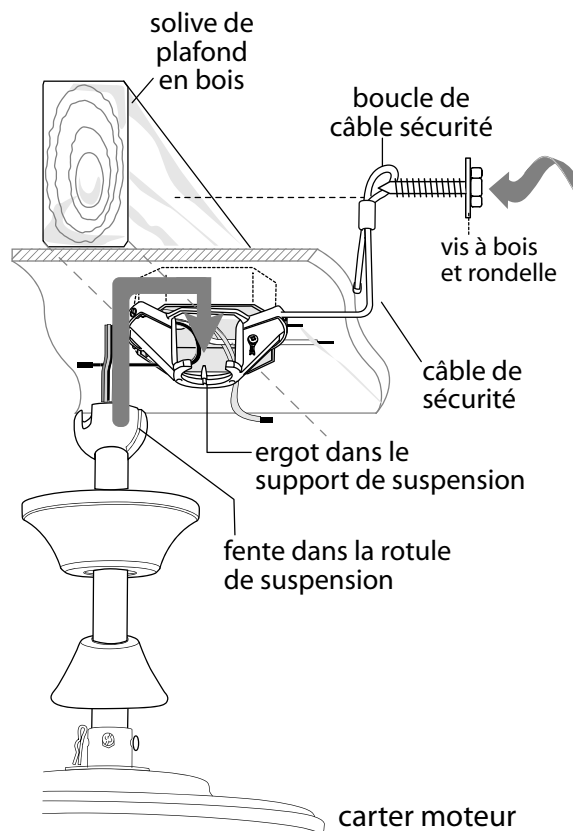
5. Groupe ventilateur. (Suite.)

Une fois le support de suspension solidement fixé sur la boîte de sortie et prêt à maintenir le ventilateur, vous pouvez suspendre votre ventilateur. Saisir le ventilateur fermement avec deux mains. Glisser la tige de suspension par l'ouverture du support de suspension et laisser la rotule de suspension venir se loger sur le support de suspension. Tourner la fente dans la rotule de suspension jusqu'à ce qu'elle soit alignée avec l'ergot se trouvant dans le support de suspension.

AVERTISSEMENT : Le fait de ne pas aligner la fente de la rotule de suspension avec l'ergot du support de suspension peut causer des blessures graves, voire mortelles.

Conseil : Demandez l'assistance d'une autre personne pour tenir le marchepied et pour vous aider à lever le ventilateur une fois que vous vous trouvez sur l'échelle.

Trouver un point d'attache solide (une solive de plafond en bois est hautement recommandée) et fixer le câble de sécurité. Il sera nécessaire d'utiliser une vis à bois de gros gabarit, une rondelle et une rondelle autobloquante (non fournies) pour la boucle du câble de sécurité. Si nécessaire, régler la boucle située à l'extrémité du câble de sécurité. La boucle située à l'extrémité du câble de sécurité doit tout juste affleurer les filets de la vis à bois. *Testez le câble de sécurité en tirant sur l'extrémité flottante à l'aide d'une pince. Si le câble de sécurité glisse, la boucle doit être resserrée.* Le mou du câble inutilisé peut être laissé en zone plafond.



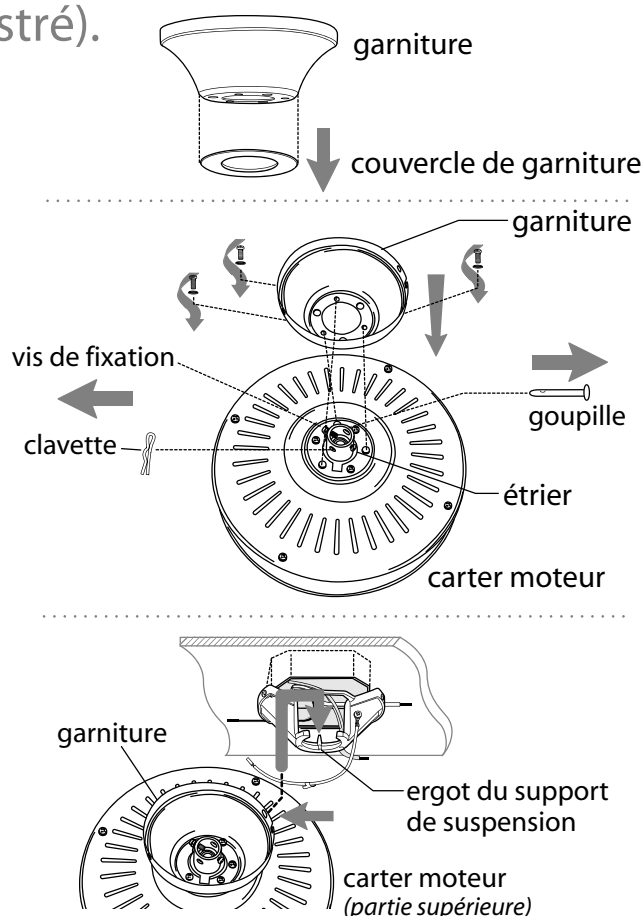
6. Montage du ventilateur (encastré).

Déposer le couvercle de la garniture et l'écarter pour exposer 6 trous. Noter que 3 des trous sont plus grands que les autres.

Si **3** vis seulement sont présentes dans la partie supérieure du carter moteur, veuillez passer au paragraphe suivant. Si **6** vis sont présentes dans la partie supérieure du carter moteur, retirez-en une sur deux avec leur rondelle autobloquante en procédant par alternance.

Retirer la goupille, la clavette et les vis de fixation de l'étrier du carter moteur. Passer les fils et le câble de sécurité par l'ouverture de la garniture. Placer la garniture sur l'étrier en alignant les trois grands trous de la garniture avec les 3 vis présentes dans la partie supérieure du carter moteur. Insérer les 3 vis et 3 rondelles autobloquantes qui avaient été retirées dans les trous restants (si 3 vis seulement étaient présentes dans la partie supérieure du carter moteur, ces vis/rondelles autobloquantes se trouvent dans un des paquets de quincaillerie). Serrer fermement toutes ces vis.

Pour préparer le ventilateur en vue du câblage, suspendre le ventilateur sur le support de suspension en glissant la garniture par-dessus l'ergot du support de suspension. (Pour ce faire utilisez un des trous autre que les trous en fente situés sur le rebord de la garniture.)



7. Câblage.

ATTENTION : Assurez-vous que la boîte de sortie est correctement reliée à la terre et qu'il existe bien un fil de terre (**VERT** ou **Dénudé**).

Assurez-vous que tous les branchements électriques sont conformes aux Codes ou Ordonnances locales et au Code Électrique national. Si vous n'êtes pas familier avec le câblage électrique ou si les câbles de la maison/édifice sont de couleurs différentes de celles auxquelles il est fait référence ci-après, alors veuillez faire appel à un électricien qualifié.

Remarque : Les fils d'alimentation trop longs peuvent être coupés à la longueur souhaitée puis dénudés.

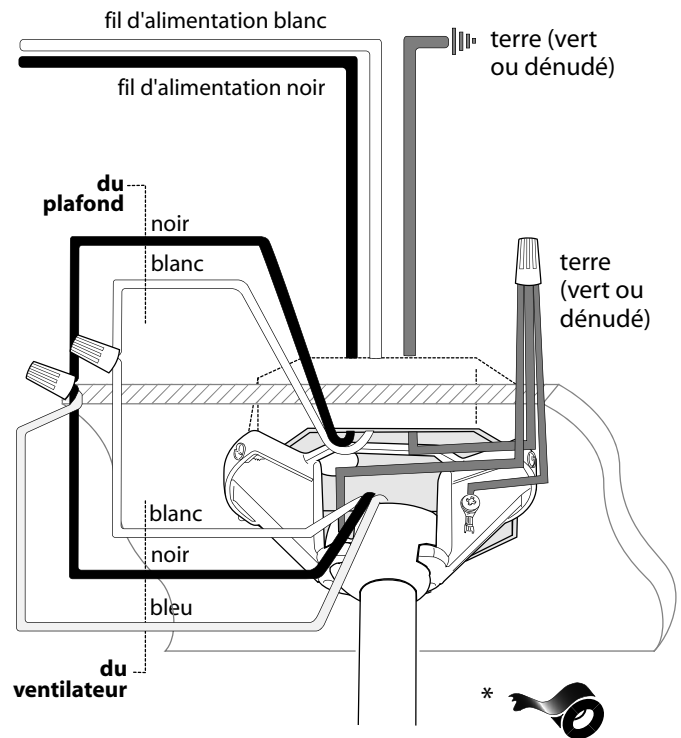
Le ventilateur, une fois solidement fixé au support de suspension, les connexions électriques peuvent être effectuées comme suit :
Raccorder les fils **NOIR** et **BLEU** du ventilateur au fil **NOIR** du plafond à l'aide du connecteur de fils fourni.

Raccorder le fil **BLANC** du ventilateur au fil **BLANC** du plafond à l'aide du connecteur de fils fourni.

Connecter tous les fils de **TERRE (VERT)** du ventilateur entre eux et raccorder-les au fil **DÉNUDÉ/VERT** du plafond à l'aide du connecteur de fils fourni.

Si vous prévoyez de commander le luminaire du ventilateur à l'aide d'un interrupteur séparé, raccorder le fil **BLEU** du ventilateur à l'alimentation **NOIRE** (ou **ROUGE**) de l'interrupteur indépendant.

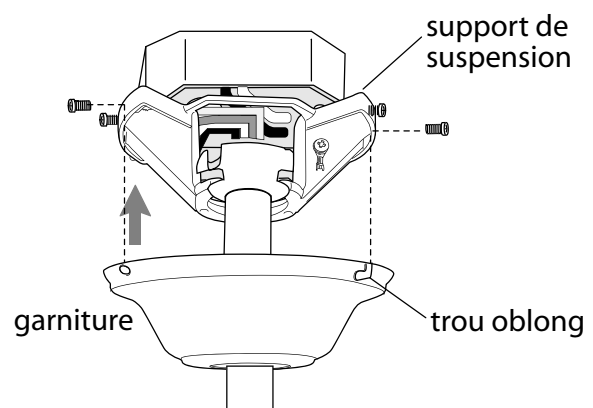
* Par mesure de sécurité complémentaire, enveloppez chaque connecteur de fils séparément de ruban isolant.



8. Montage de la garniture.

Lever brièvement la garniture jusqu'au support de suspension pour déterminer quelles sont les 2 vis du support de suspension qui s'alignent avec les trous **oblongs** de la garniture, puis rabaisser la garniture et *déserrer partiellement* les deux vis. Déposer les 2 **autres** vis et les mettre de côté.

Maintenant, lever à nouveau la garniture jusqu'au support de suspension en alignant les fentes oblongues de la garniture avec les vis précédemment desserrées du support de suspension. Tourner la garniture pour la verrouiller. Réinsérer les 2 autres vis et fixer toutes les vis avec un tournevis Phillips.



10. Assemblage du Kit d'éclairage (facultatif). (Suite.)

Si vous souhaitez utiliser votre ventilateur AVEC le kit d'éclairage, raccorder la prise mâle du boîtier du commutateur à la prise femelle de l'adaptateur du kit d'éclairage. S'assurer que les connecteurs sont fermement raccordés.

Arranger soigneusement le câblage au niveau de la plaque de l'adaptateur et aligner les trous dans le boîtier du commutateur avec les trous de la plaque de l'adaptateur. Réinsérer les vis précédemment déposées. Resserrer les 3 vis avec un tournevis Phillips.

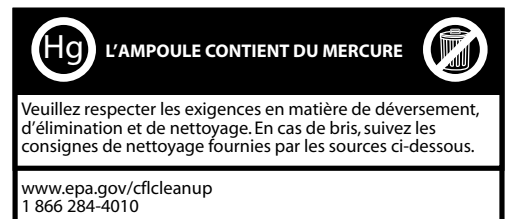
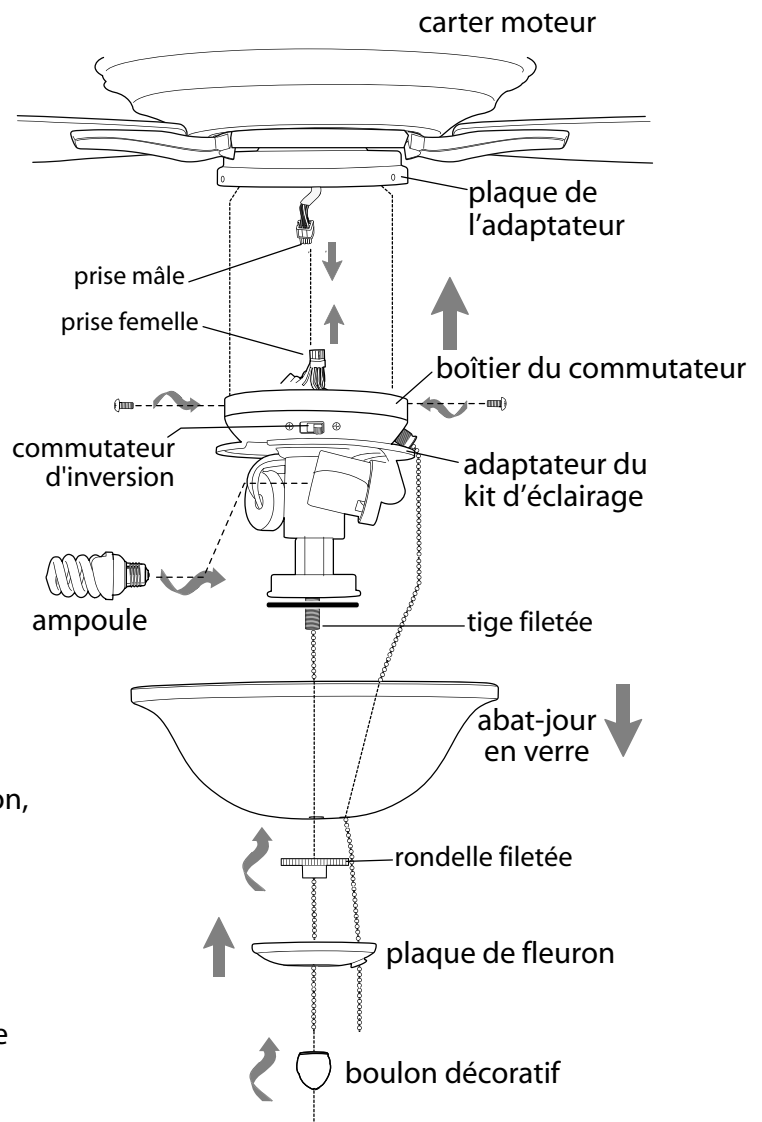
Installer 2 ampoules fluorescentes compactes douille moyenne 13 watts (incluses).

Important : Attendez que les ampoules et l'abat-jour en verre aient le temps de refroidir avant tout changement d'ampoule.

Déposer le boulon décoratif, la plaque du fleuron, ainsi que la rondelle fileté de la tige fileté sur l'adaptateur du kit d'éclairage.

Lever l'abat-jour en verre pour faire passer les chaînettes à travers les trous prévus à cet effet. Aligner la tige fileté sur l'adaptateur du kit d'éclairage sur le trou qui se trouve au milieu de l'abat-jour en verre et pousser vers le haut en procédant avec précaution pour faire passer la tige fileté à travers le trou. (*Assurez-vous que la chaînette de commande du ventilateur ne frotte pas contre l'ampoule lorsque celui-ci fonctionne.*) Fixer l'abat-jour en verre avec la rondelle fileté. **Ne PAS exercer une pression trop forte au niveau de la rondelle fileté car cela pourrait causer fissures ou bris de glace.**

Aligner le trou qui se trouve au centre de la plaque du fleuron avec la tige fileté, permettant ainsi aux chaînettes de passer par les trous prévus à cet effet dans la plaque du fleuron, et pousser vers le haut. Passer la chaînette centrale par le trou du boulon décoratif et remonter le boulon décoratif. **Ne PAS exercer une pression trop forte au niveau du boulon décoratif car cela pourrait causer fissures ou bris de glace.**



11. Tester votre ventilateur.

Il est recommandé de tester le ventilateur avant de mettre la dernière main à votre installation. Rétablir l'alimentation électrique à partir du disjoncteur et de l'interrupteur d'éclairage (le cas échéant). Tester les vitesses de fonctionnement du ventilateur à l'aide de la chaînette du boîtier du commutateur. Commencer en position ARRÊT (aucun mouvement de pale). Tirer une première fois pour la vitesse la PLUS ÉLEVÉE. Tirer une deuxième fois pour la vitesse MOYENNE. Tirer une troisième fois pour la vitesse LENTE. Tirer quatre fois, le ventilateur revient à la position ARRÊT. Tester l'éclairage avec la chaînette du milieu. (**schéma 1**) Si le ventilateur et/ou la lumière ne fonctionne(nt) pas, veuillez consulter la section "Dépannage" pour résoudre toute question avant de contacter le Service Clientèle.

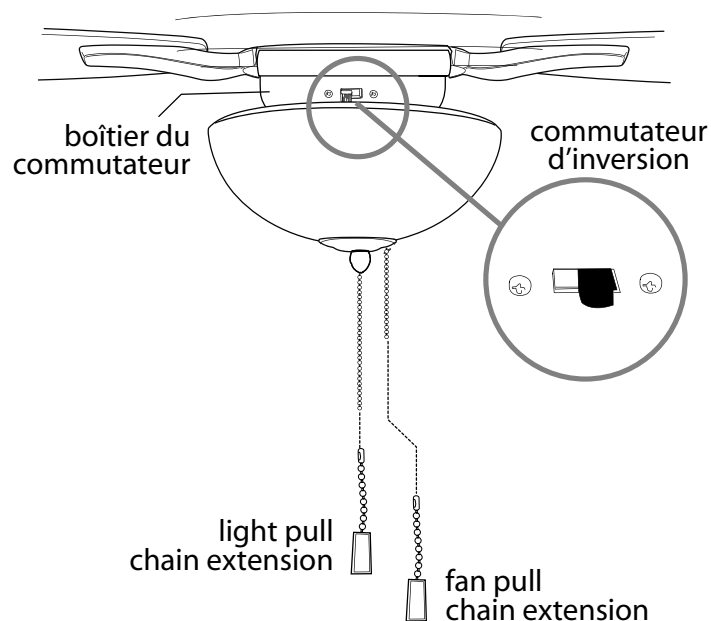


schéma 1

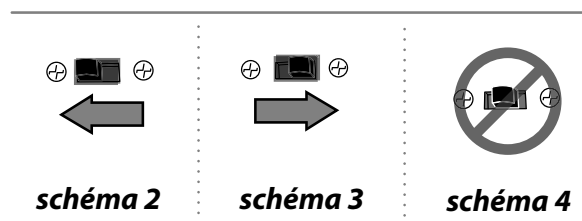
Arrêter le ventilateur complètement *avant* d'actionner le commutateur d'inversion (situé sur le boîtier du commutateur). Amener le commutateur d'inversion en position de recyclage/brassage d'air selon la saison :

- Position GAUCHE pour l'été (**schéma 2**)
- Position DROITE pour l'hiver (**schéma 3**)

Un ventilateur de plafond vous permettra de régler votre thermostat sur une température plus élevée en été et moins élevée en hiver sans que cela n'affecte votre confort.

Important : Le commutateur d'inversion doit être amené *complètement vers la GAUCHE* ou *complètement vers la DROITE* pour que le ventilateur fonctionne. Si le commutateur d'inversion se trouve en position *médiane* (**schéma 4**), le ventilateur ne fonctionnera pas.

Fixer la (les) rallonge(s) de chaînette fournie(s) ou la (les) rallonge(s) de chaînette personnalisée(s) [vendue(s) séparément] aux extrémité(s) de la (des) chaînette(s).



Dépannage

AVERTISSEMENT : *Le fait de ne pas débrancher l'alimentation électrique avant toute recherche de panne ou de diagnostic de problèmes au niveau du câblage peut entraîner des blessures graves.*

Problème : Le ventilateur ne fonctionne pas.

Solutions :

1. Vérifiez l'interrupteur mural du ventilateur.
2. Vérifiez que le commutateur d'inversion est bien basculé sur l'une ou l'autre direction.
3. Vérifiez si le ventilateur est correctement câblé.
4. Vérifiez que les prises mâle et femelle sont correctement branchées dans l'adaptateur du kit d'éclairage.

Problème : Kit d'éclairage (en option) ne s'allume pas.

Solutions :

1. Vérifiez l'interrupteur mural du ventilateur.
2. Vérifiez si les ampoules sont correctement installées.
3. Vérifiez si les fils se trouvant dans la garniture sont raccordés correctement.
4. Vérifiez que les prises mâle et femelle sont correctement branchées dans l'adaptateur du kit d'éclairage.

Problème : Le ventilateur fonctionne mais le kit d'éclairage (si pourvu) ne fonctionne pas.

Solutions :

1. Vérifiez si l'ampoule est correctement installée.
2. Vérifiez si les fils se trouvant dans la garniture sont raccordés correctement.
3. Remplacez l'ampoule défectueuse avec une ampoule du même type.

Problème : Le ventilateur oscille.

Solutions :

1. Utilisez le kit d'équilibrage fourni dans un des paquets de pièces. *Si aucun kit d'équilibrage de pales n'est fourni, veuillez contacter le service d'Assistance Clientèle au 1 800 486-4892 et il vous en sera envoyé un.*
2. Vérifiez et assurez-vous que la (les) vis de fixation sur l'étrier du boîtier moteur est (sont) fermement serrée(s).
3. Vérifiez et assurez-vous que la vis de fixation de la rotule de suspension est bien serrée.

Remplacement des pièces.

Pour les pièces et informations, veuillez consulter la « Liste des pièces » en page 2.

Service clientèle Craftmade/Ellington :

1 800 486-4892

www.craftmadebrands.com

Garantie

GARANTIE LIMITÉE À VIE CRAFTMADE/ELLINGTON : CRAFTMADE/ELLINGTON garantit ce ventilateur au ménage acheteur d'origine pour une utilisation en intérieur selon les dispositions et aux conditions suivantes : **GARANTIE DE 1 AN :** CRAFTMADE/ELLINGTON remplacera ou procédera à la réparation de tout ventilateur au fonctionnement défectueux en raison d'un défaut de pièce ou de main d'œuvre. Contactez le Service Clientèle de Craftmade/Ellington au **1 800 486-4892** pour convenir des dispositions à prendre pour renvoyer le ventilateur. Renvoyez le ventilateur, port payé, à Craftmade/Ellington. Nous procéderons à la réparation ou vous enverrons un ventilateur de remplacement et prendrons en charge les frais d'envoi pour le retour.

GARANTIE QUINQUÉNALE : CRAFTMADE/ELLINGTON procédera à la réparation ou au remplacement, sans frais pour le consommateur initial, de tout moteur de ventilateur qui ne fonctionne pas de façon satisfaisante, lorsque cette défaillance résulte d'une utilisation normale. **RENVOYER LE MOTEUR DU VENTILATEUR UNIQUEMENT** en port payé à Craftmade/Ellington. Nous procéderons à la réparation ou enverrons au consommateur un moteur de remplacement et Craftmade/Ellington prendra en charge les frais d'envoi pour le retour.

GARANTIE LIMITÉE de 6 ANS à VIE :

CRAFTMADE/ELLINGTON procédera à la réparation du ventilateur, sans frais de main d'œuvre uniquement pour le consommateur initial, si le moteur ne fonctionne pas de façon satisfaisante, et lorsque cette défaillance résulte d'une utilisation normale. Les pièces utilisées pour la réparation seront facturées au consommateur aux tarifs en vigueur au moment de la réparation.

Tous les frais encourus pour la dépose, la réinstallation et l'envoi des produits à réparer seront à la charge du consommateur.

Cette garantie devient caduque lorsque la défaillance est le résultat d'une mauvaise utilisation mécanique, physique, électrique ou provient de dégâts des eaux. Il est spécifiquement entendu que la détérioration des finitions ou d'autres parties en raison du temps ou de l'exposition prolongée à l'air marin n'est pas couverte par la présente garantie.

Craftmade/Ellington ni le fabricant n'assumeront une quelconque responsabilité résultant d'une mauvaise installation ou utilisation de ce produit. En aucun cas la société ne saura-t-elle être tenue pour responsable quant à de quelconques dommages connexes par suite de la rupture explicite ou implicite de la présente ou de toute autre garantie. Ces restrictions concernant les dommages connexes ne s'appliquent pas dans les états où elles sont interdites.

ELLINGTON
CEILING FANS **by Craftmade**