

ASSEMBLY INSTRUCTIONS FOR YOUR

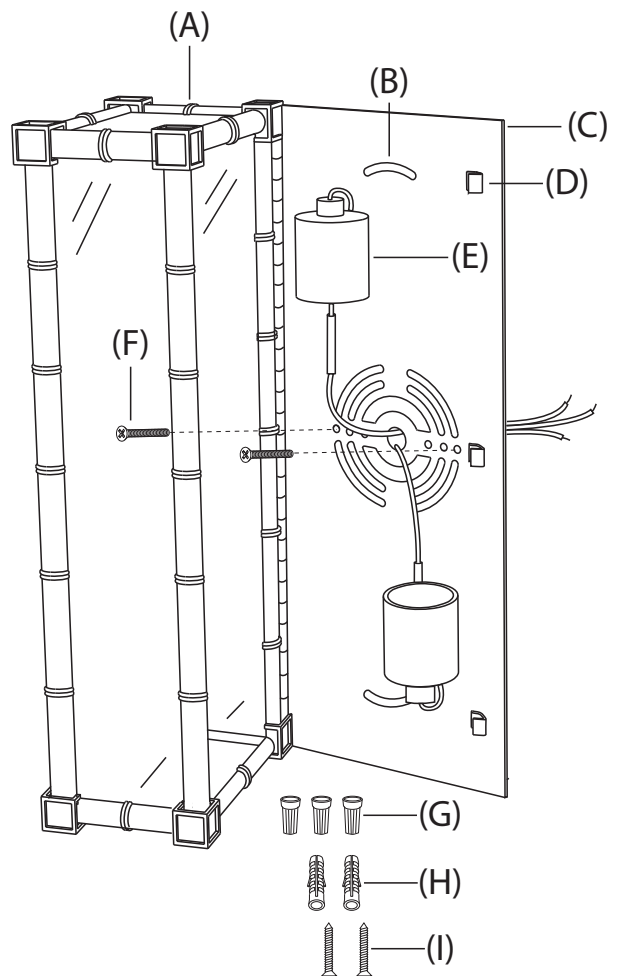
Jonathan Adler
MEURICE SMALL WALL SCONCE

IMPORTANT SAFETY INSTRUCTIONS:

- *These instructions are provided for your safety. It's important that all safety instructions are read before beginning fixture installation.
- *We **STRONGLY** recommend installation by a licensed electrician.
- *Turn off power at switch before replacing bulbs, making sure fixture has had sufficient time to cool down.
- *Do not connect the electricity until lamp is fully assembled.

ASSEMBLY INSTRUCTIONS:

1. SHUT OFF MAIN ELECTRICAL SUPPLY FROM THE MAIN FUSE BOX/CIRCUIT BREAKER. IT IS RECOMMENDED THAT A LICENSED ELECTRICIAN INSTALL THIS FIXTURE.
2. Open fixture by gently pulling mounting plate (C) away from shade frame (A). Note: There will be resistance from metal clips (D).
3. Align center of mounting plate (C) with wall outlet box. Make sure mounting plate is held in a level position and use a pencil to mark the location of slots (B) onto the wall.
4. Drill small holes at marked locations on the wall. Holes should be sized so they accommodate wall anchors (H), provided. Insert wall anchors into drilled holes.
5. Carefully pull the wiring from wall outlet box. Lift the fixture to the outlet box and make proper electrical connections described in steps 6 - 8. A LICENSED ELECTRICIAN IS RECOMMENDED.
6. Connect ground (green or silver in color) wire from fixture to ground wire in the outlet box. Fasten wires together with wire nut (G) and tightly wrap the connection with electrical tape.
7. Attach hot wire from fixture (black in color or smooth side of wire) to hot wire from outlet box. Fasten wires together with wire nut (G) and tightly wrap connection with electrical tape.
8. Attach neutral wire from fixture (white in color or ribbed side of wire) to neutral wire from outlet box. Fasten wires together with wire nut (G) and tightly wrap connection with electrical tape.
9. Carefully push the wire connections back into the wall outlet box.
10. Affix mounting plate (C) to wall outlet box with mounting screws (F) provided.
11. Insert screws (I) through slots (B) and into wall anchors (H) for extra support.
12. Insert two (2) 60W MAX. B11 Torpedo base bulbs into sockets (E).
13. Close the fixture so that metal clips (D) secure shade frame (A) in a locked position.
14. Reconnect main electrical supply at the fuse box/circuit breaker and test the fixture.



** To clean, use a soft dry cloth. Do not use any chemical or abrasive cleaners as they may damage the finish. **