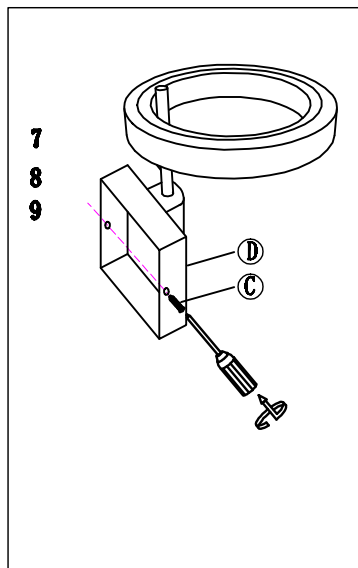
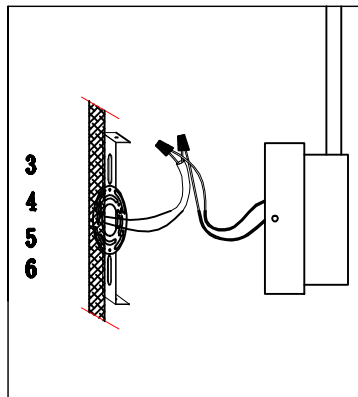
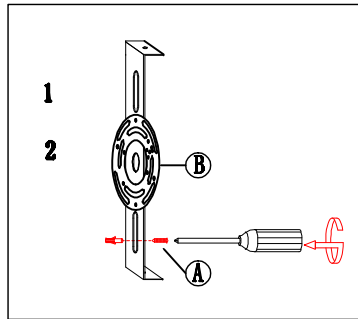


APPROVED

By Michael J Almodova at 10:14 pm, May 31, 2019

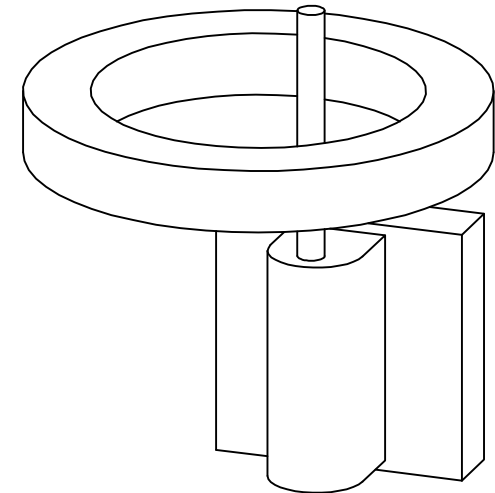


Product Name:Wall lamp
Item No.:3011627BR & 3011627AN

TO ASSEMBLE:

- 1. SHUT OFF THE MAIN ELECTRICAL SUPPLY FROM THE MAIN FUSE BOX/CIRCUIT BREAKER!**
- 2. Attach mounting plate (B) to wall outlet box by aligning the holes and secure with outlet box screws (A).**
- 3. Gently pull the wire from wall outlet box and allow the wire to hang. Thread the wire through the center hole in mounting plate (B). Then connect the electronic wire.**
- 4. Attach the fixture ground wire and house ground wire (usually green or bare wire) to ceiling outlet box with the green grounding screw. Connect fixtures to corresponding house wire with a wire nut. Carefully tuck the wires back into the outlet box. IT IS IMPERATIVE THAT THE OUTLET BOX IN YOUR HOME BE PROPERLY GROUNDED.**
- 5. Connect the neutral wire (ridged molded wire or white) to the neutral outlet wire (usually white) with a plastic wire connector and wrap the connection with electrical tape.**
- 6. Connect the hot wire (smooth wire or black) to the hot outlet box wire (usually black) with a plastic wire connector and wrap the connection with electrical tape. DO NOT REVERSE THE HOT AND NEUTRAL CONNECTIONS OTHERWISE SAFETY WILL BE COMPROMISED.**
- 7. Attach the fixture base (D) to mounting plate (B), letting the Philips screws (C) pass through the holes on fixture base (D) and secure with screws nut.**
- 8. Restore power to outlet box and check operation of fixture.**
- 9. Assembly is complete.**

**NOVA**
OF
CALIFORNIA



WARNINGS:

- 1. Do not remove the lamp from its packaging by pulling on the power cord, as a bad connection may result.**
- 2. Do not connect electricity until your lamp is fully assembled.**
- 3. To reduce the risk of fire, electrical shock, or personal injury, always turn off lamp and allow it to cool prior to replacing LED strip.**
- 4. Do not touch light source when fixture is turned on or look directly at its LED strip.**
- 5. Keep flammable materials away from its LED strip.**