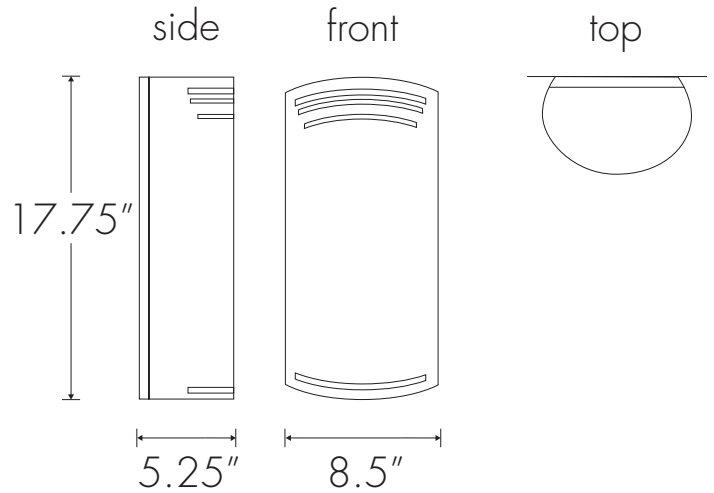


# ULTRALIGHTS



## LUZ AZUL 8801-18



### Base Specifications:

17.75" h x 8.5" w x 5.25" d

01: Wet Loc - Incan - 2 x E26 - 60W max ea

### Notes:

02 / 04 Lamping: Wattage and Lumens - Initial at the source

<b>8801-18</b>	-		-	
<b>MODEL</b>		<b>FINISH</b>		<b>LAMPING</b>

#### \*Modifications:

- Top diffuser (LED only)
- Bottom diffuser

#### Other Modifications:

- BA - Bronze Age
- BK - Black
- BP - Black Pearl
- CB - Cast Bronze
- CH - Chestnut
- CR - Chrome
- DI - Dark Iron
- EB - Empire Bronze
- MB - Medieval Bronze
- NB - New Brass
- SB - Smokey Brass
- SP - Satin Pewter
- SS - Smoked Silver
  
- PREMIUM
- RCU - Raw Copper Unfinished

- 01: Wet Loc Incan - 2 x E26 - 60W max ea - 120V
- 02: Wet Loc - LED - 8.4W - 1181 Lumens
  - (Dim w/ Std Phase Dim) - 120V
  - (Non-Dim or Dim w/ 0-10V Dim system) Universal
- 03: Damp / Dry Loc Incan - 2 x E26 - 60W max ea - 120V
- 04: Damp / Dry LED - 14W - 2198 Lumens
  - (Non-Dim or Dim w/ 0-10V Dim system) - Universal
- 10: WRL - 2 x E26 - for LED Retro 20W max ea - 120V
- EM: Emergency Pack - Universal

#### COLOR TEMPERATURE / CRI

- 3000K (Standard) - CRI available upon request
- 2700K - CRI available upon request
- 3500K - CRI available upon request
- 4000K - CRI available upon request

Project Name:	Specifier Name:	Quantity:
Project Location:	Specifier Location:	Fixture Type:

[WWW.ULTRALIGHTSLIGHTING.COM](http://WWW.ULTRALIGHTSLIGHTING.COM)