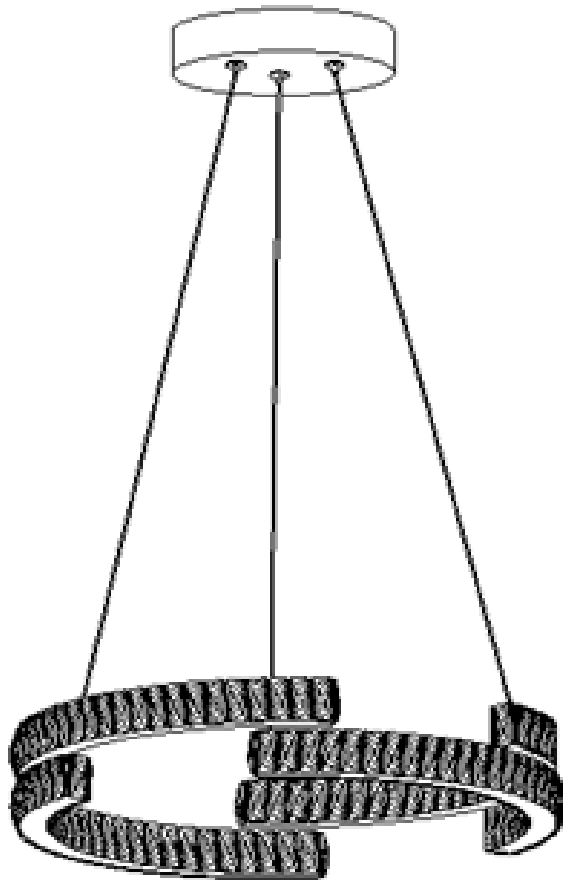


# ZEEV

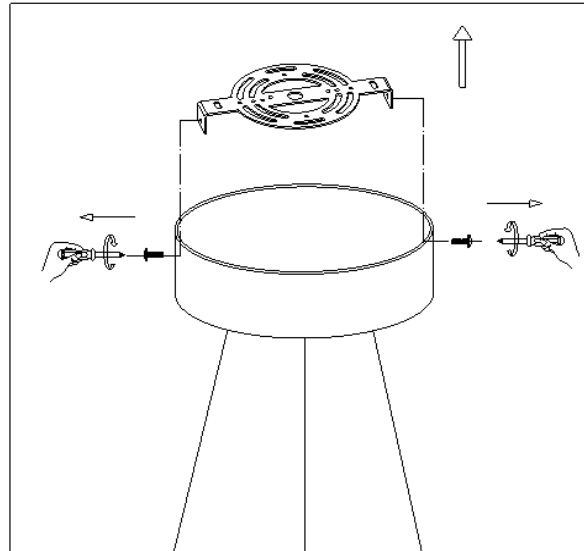
L I G H T I N G

## ASSEMBLY AND INSTALLATION INSTRUCTIONS

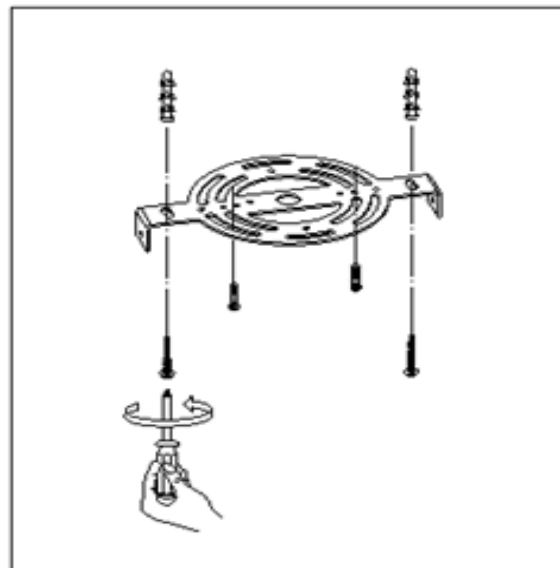
ITEM NO.: CD10191/LED/CH



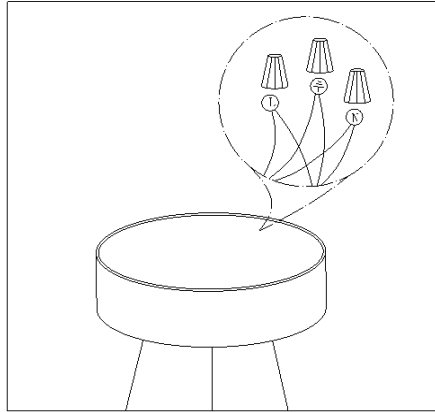
Note: Before Starting installation of this Fixture or the removal of a previous Fixture, disconnect the power by turning off the circuit breaker or removing the fuse from the fuse box .



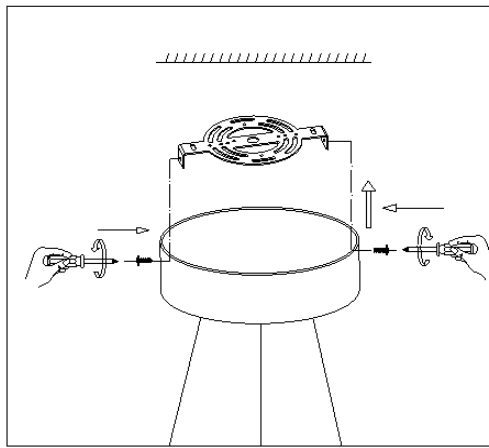
Step 1: Separate the bracket and fixture.



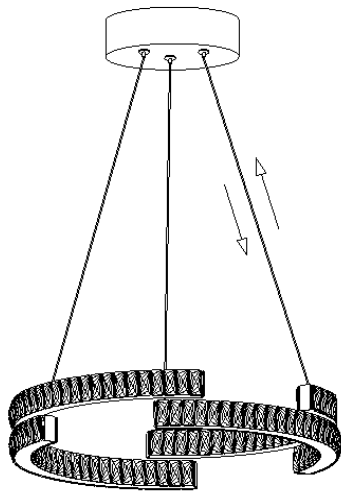
Step 2: Fix the bracket on the ceiling



Step 3: Use the red wiring cap to connect the power cord



Step 4: Install the fixture on the bracket



Step 5: Adjust the hanging wire, make the fixture level .