



## **VICTORIAN SOLAR LAMP POST With GS Solar LED Light Bulb**

US Patent # 7172307

US Patent # 9458970

**Instruction Manual**  
Model: GS-94B-S,D,T



GS-94B-S



GS-94B-D



GS-94B-T

## Introduction

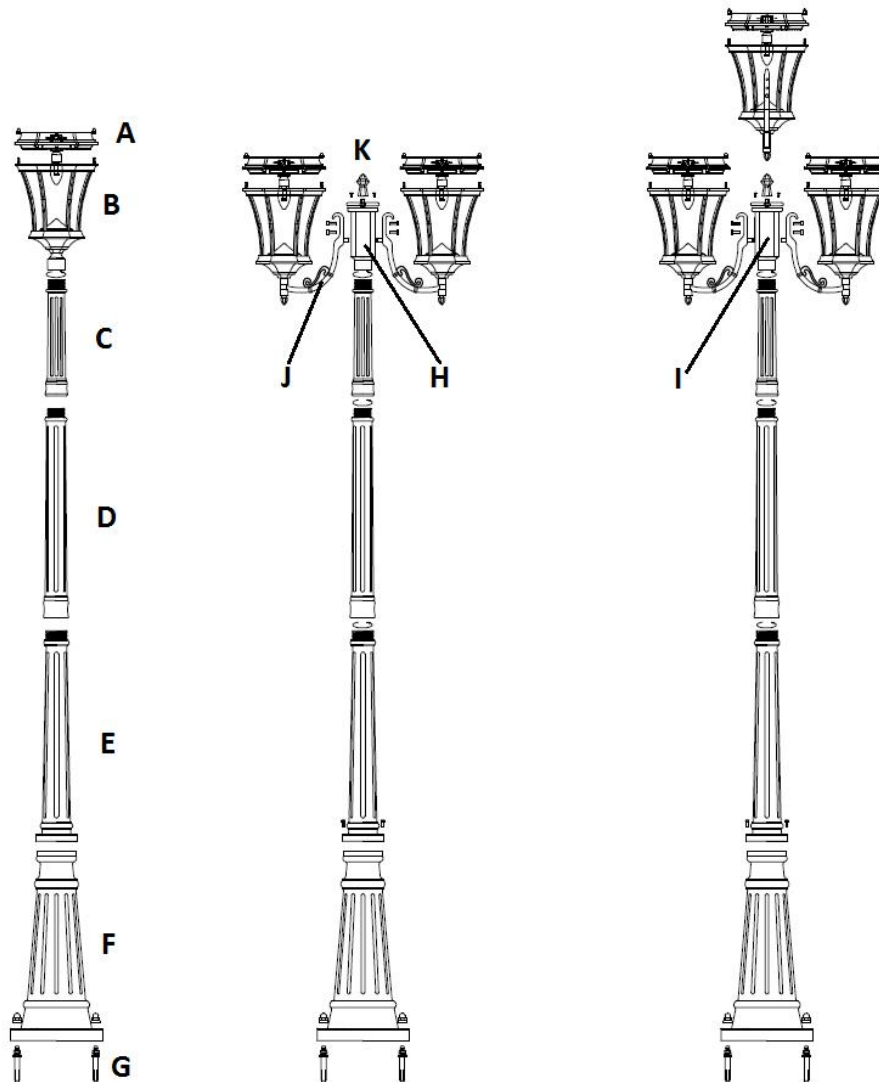
Thank you for your purchase. **GAMA SONIC®** solar charged accent lighting eliminates the problems associated with most solar lighting available today. **GAMA SONIC®** solar charged lights are brighter and last all night with a typical solar charge. Unique design, superior light output and numerous installation options confirm the outstanding value of the product.

**GAMA SONIC®** has been recognized as a worldwide leader in the lighting industry for over 20 years. The company also offers unique multi-purpose rechargeable products that range from party lights to emergency lighting products.

For technical assistance and more information call our Toll Free number: 800-835-4113 (only within the US).

Visit our website or download the latest version of your instruction manual: [www.gamasonic.com](http://www.gamasonic.com) or [www.gamasonic.com/user-guides](http://www.gamasonic.com/user-guides)

Please read the instruction manual carefully to obtain the best results from your purchase. Unpack and identify the following components.



Parts: GS-94B-S

Parts: GS-94B-D

Parts: GS-94B-T

## **Tools needed:**

Tools that are needed but not supplied with the solar lamp post set are: a screw driver, a wrench and an electrical drill that will be used to anchor the lamp base to the ground.

## **Solar Lamp Post Location**

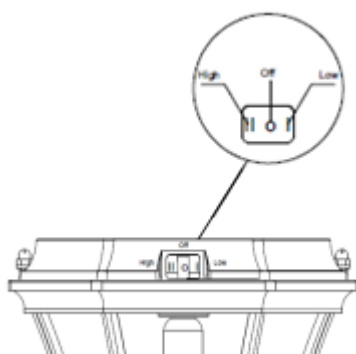
For optimum light duration throughout the night, it is very important to mount your solar lamp post in a spot where it will receive the maximum amount of direct sunlight throughout the day.

## **Assembly Instructions**

**WARNING:** GAMA SONIC® Light bulbs are not to be used in other electrical sockets these are low-voltage light bulbs that are built and designed for our products only!

**NOTE:** The solar light must be charged for two sunny days in the “On” position for best results.

**NOTE:** The following steps are for reference only. Consult your local hardware store for the best installation method for your particular surface.



**Fig. 1**

## **GS-94B-S**

1. Turn the On/Off switch on the lamp head (A) to Low or High position (Fig. 1).
2. Use electric drill to make three holes into a solid surface no smaller than the fastening screws (G). The holes shall be lined up with the holes of the lamp base (F).

**NOTE:** For installation in the ground where pouring concrete is not preferred or possible, use our GS-3 EZ Lamp Post Anchor (sold separately) to quickly and easily secure the lamp anywhere in your yard. This is only to be used with the GS-94B-S model.

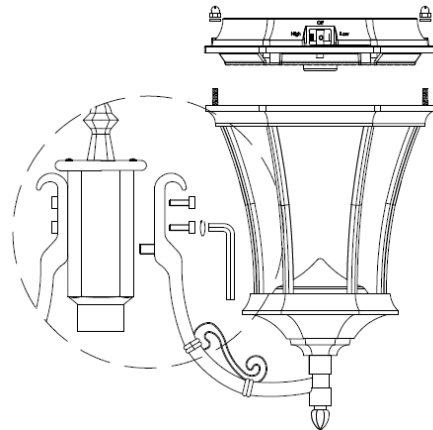
3. Put the fastening screws (G) into the drilled holes with their threaded ends facing up.
4. Place lamp base onto fastening screws and secure base with the nuts using a wrench. Cover the bolts with the plastic covers provided.
5. Make sure the lamp base (F) is stable before installing Part (E).

6. Place part (E) on top of part (F) and tighten with the provided screws using a wrench.
7. Screw part (D) to part (E), part (C) to part (D) and part (B) to part (C).

### **GS-94B-D and GS-94B-T**

**Please note that due to the quality of materials used, it is highly recommended to secure the base into a solid surface such as concrete or wooden patio (bolts included).**

1. Repeat steps 1 to 6 as shown in GS-94B-S.
2. Screw part (D) to part (E). Part (C) to part (D) and part (H) into part (C).
3. Screw bracket (J) into part (H) using the provided screws as shown in Fig. 2.
4. Repeat step 3, two times in model GS-94B-D and three times in model GS-94B-T.
5. Screw part (K) on top of part (H) for GS-94B-D or (I) for GS-94B-T.

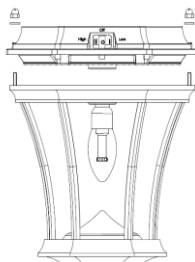


**Fig. 2**

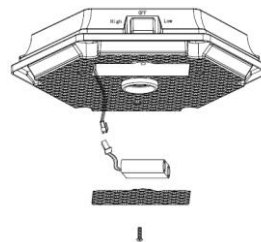
### **Replacing the Batteries**

(After several years of use, the batteries may need replacing).

1. Remove the top (A) from the fixture (B) by releasing the 2 screws (Fig. 3).
2. Make sure the ON/OFF switch is in the "OFF" position.
3. Release the 3 screws on the silver reflector and remove the old batteries (Fig. 4). Make sure the new batteries are high quality –1 x Li-ion Battery Pack (3.2 Volt / 3,000 mAh).
4. Install the new batteries into the battery compartment.
5. Reassemble the unit by reversing the above procedure.



**Fig. 3**



**Fig. 4**

## **Replacing the Solar LED Bulb**

The Solar LED Bulb is designed to last up to 10 years, however if it is not working, or if you want to use a different color temperature bulb, you can replace it with a new GAMA SONIC Solar LED Bulb.

Replacement Solar LED Bulb and batteries are available at [www.gamasonic.com](http://www.gamasonic.com) or via our Toll free number: +1-800-835-4113

**WARNING:** Do not dispose of Li-ion battery in the regular trash, municipal waste stream or by fire as batteries may leak or explode. Do not open, short circuit, or mutilate batteries as injury may occur. Preserve our environment by recycling Ni-Mh batteries or disposing of them in accordance with local, State and federal regulations. Do not mix old and new batteries.

### **Maintenance**

Clean the solar module regularly with a damp towel to guarantee optimum performance of the solar panel. Do not use any type of solvent for cleaning and be careful not to put too much pressure on the module while cleaning.

### **Trouble Shooting**

If your solar charged light does not come on at dusk despite observance of all the instructions, please try the following steps:

1. Make sure that the solar light is not being affected by any other light source.
2. Ensure the solar light is not positioned in the shade during the day.
3. Make sure the switch in the lamp head is in the "ON" position.
4. Check that the batteries are installed correctly.

**NOTE:** The performance of the solar light will vary with the time of year. It will deliver more light when it has had a full day in the sun rather than a day in overcast weather.

**WINTERTIME TIPS:** Keep snow and debris cleaned off the solar panels so the batteries can recharge. If the lights are covered with snow for an extended period of time, after the snow melts, allow all the batteries to charge in full, direct sunlight for at least 6 hours to their maximum capacity.

**WARNING:** Please keep out of reach of children.

