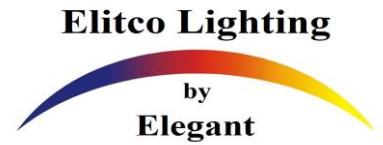


ICAT3R-T24LED-6PK

3" LINE VOLTAGE ICAT REMODEL HOUSING

120V-IC AIRTIGHT TP24 HOUSING



PRODUCT DESCRIPTION

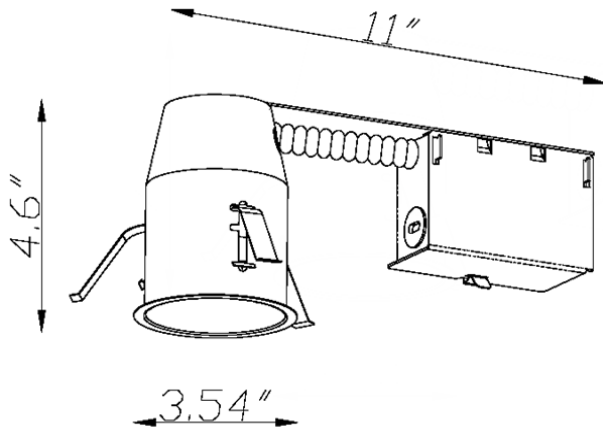
ICAT3R-GU10LED housing is designed for IC rated ceilings. Accommodates up to LED 5W MAX TP24.

SPECIFICATIONS:

HOUSING: Low 4 1/6" profile for shallow ceilings. Pre-wired. 037" steel housing adjusts up to 1 3/4" ceiling thickness. Trim is secured with torsion wing spring/ standard coil springs. Designed to be installed in remodel applications. IC rated housing may have direct contact with insulation.

AIR FLOW RESTRICTION: Airtight models are designed to restrict air flow from room into plenums in compliance to the WSEC- Washington State Energy Code (less than 2.0 CFM-Cubic Feet per Minutes)

MOUNTING: Supplied with (3) high tension remodeling clips to secure the housing to an existing sheet rock ceiling. **JUNCTION BOX:** Pre-wired, galvanized steel J-box with (4) knock-outs. Strain clamps and ground wire. Equipped with safety standard thermal protector rated for



LABELS: UL/CUL listed (UL listed number: E486665).