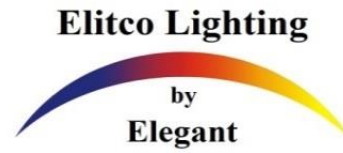


P30LED201-6PK

CRI 80 3000K 950Lumens LED Reflector



The high performance LED PAR bulb.
 Perfect for track and recessed light fixtures.
 For commercial or home lighting applications
 Easy to use - designed in traditional bulb shapes and fits easily into existing fixtures



Performance

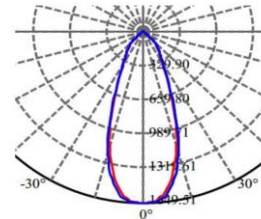
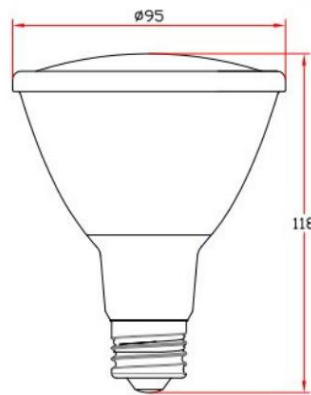
- LED PAR bulb is designed to provide 25000 hours of life
- Energy-saving & Super bright, saving 85% energy compared with traditional halogen lamp
- UL & ES compliant.

Construction

- Rotary Extrusion Aluminum for excellent heat dissipation
- Dimmable.

Installation

- Rated for indoor/outdoor use
- Suitable for damp/wet locations.
- Can't be used in totally enclosed fixtures
- Not for use with emergency exit fixtures or emergency exit lights
- Size: $\Phi 3.74"$ (95mm) * $H 4.65"$ (118mm)



Specifications

| | | | |
|--|------------|-------------------------------------|-----------------|
| Category | Light Bulb | Inner Package Length (Inch) | 11.81 |
| Bulb Shape | PAR30 | Inner Package Width (Inch) | 8.03 |
| Bulb Base Type | E26 | Inner Package Height (Inch) | 5.5 |
| Bulb Base Finish | Chrome | Inner Package Weight Per Unit (Lbs) | 3.25 |
| Color Temperature | 3000K | Inner Package Quantity | 6 |
| Beam Angle | 40° | | |
| Finish | Silver | | |
| CRI | 80 | | |
| Average Life (Hours) | 25000 | | |
| Estimated Yearly Energy Cost (11 ¢ /Kwh) | 1.57 | | |
| Life Based On 3Hrs/Day (Years) | 22.83 | Lamp Type | PAR30 Long Neck |
| Product Length (Inch) | N/A | Dry/Wet/Damp | Wet |
| Product Width (Inch) | 3.74 | Energy Star | YES |
| Product Height (Inch) | 4.65 | Power Factor | >0.9 |
| Product Extension (Inch) | N/A | Current | 120mA |
| Product Weight Per Unit (Lbs) | 0.36 | Lumen/Watt | 73 |
| Dimmable | YES | Warranty (Year) | 3 |
| Watts | 13W | DLC (Yes/No) | No |
| Watt Equivalent | 75W | Input Voltage | 120V |
| Lumens | 950 | Housing Material | Aluminum |
| Certification (UL/ETL/FCC) | UL | Lens | Plastic |
| Individual Box Length (Inch) | 3.82 | Led Type | Seoul |
| Individual Box Width (Inch) | 3.82 | | |
| Individual Box Height (Inch) | 5.47 | | |
| Individual Box Weight Per Unit (Lbs) | 0.99 | | |