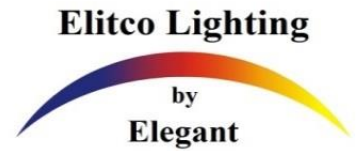


R41327KBZ-12PK

CRI 90 2700K 800 Lumens LED Retrofit



Direct LED replacement for 4" recessed incandescent.

Save 80% in energy costs – 13 watt LED versus 65 watt BR20 – and eliminate multiple lamp replacements over the 50,000 hour rated life.

Performance

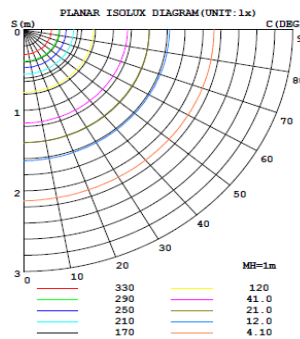
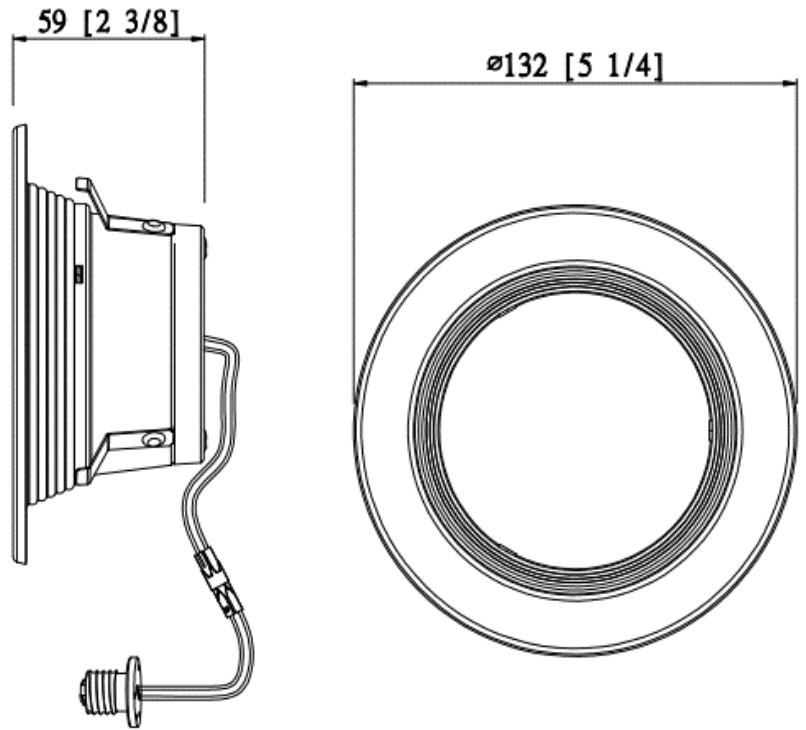
- Use with most 4" recessed cans
- Dimmable with most standard incandescent (triac) and low voltage electronic (ELV) dimmers for 5-100% light control
- Eliminate up to 14 lamps replacements - long life Hongli LEDs last up to 50,000 hours, compared to incandescent lamps with a rated life of 2,500 hours
- Energy Star and ETL compliant, for use in wet locations

Construction

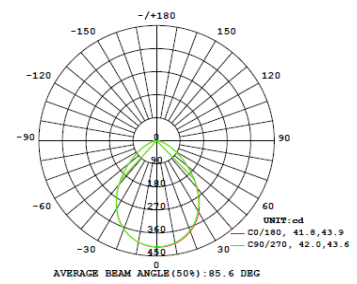
- Aluminum trim ring with durable powder coat finish
- Polycarbonate lens diffuses light
- No LED DRIVER

Installation

- Recessed mount into 4" housing. Includes medium base socket adaptor for easy retrofitting in 4" recessed housings.



LUMINOUS INTENSITY DISTRIBUTION DIAGRAM



Title 24 compliant

Specifications

Category	Retrofit	Individual Box Weight Per Unit (Lbs)	0.73
Shape	Round	Inner Package Length (Inch)	N/A
Bulb Base Type	Integrated LED	Inner Package Width (Inch)	N/A
Bulb Base Finish	N/A	Inner Package Height (Inch)	N/A
Color Temperature	2700K	Inner Package Weight Per Unit (Lbs)	N/A
Beam Angle	110°	Inner Package Quantity	N/A
Finish	Bronze		
CRI	90		
Average Life (Hours)	50000		
Estimated Yearly Energy Cost (11 ¢ /Kwh)	1.57		
Life Based On 3Hrs/Day (Years)	45.66		
Product Length (Inch)	5.13	Lamp Type	LED Downlight
Product Width (Inch)	5.13	Bulb Shape	N/A
Product Height (Inch)	2.25	Dry/Wet/Damp	Damp
Product Extension (Inch)	N/A	Energy Star	Yes
Product Weight Per Unit (Lbs)	0.66	Power Factor	0.9
Dimmable	YES	Current	75mA
Watts	13	Lumen/Watt	65
Watt Equivalent	65	Warranty (Year)	5
Lumens	800	DLC (Yes/No)	NO
Certification (UL/ETL/FCC)	ETL	Input Voltage	120V
Individual Box Length (Inch)	5.31	Housing Material	Aluminum
Individual Box Width (Inch)	5.31	Lens	Acrylic
Individual Box Height (Inch)	2.75	Led Type	HONGLI