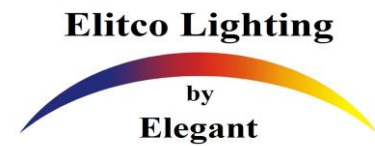


RES530BW-12PK

5" Line Volt Reflector Trim
120V BR30 / PAR30 TRIM



PRODUCT DESCRIPTION

5" Line Volt Reflector Trim

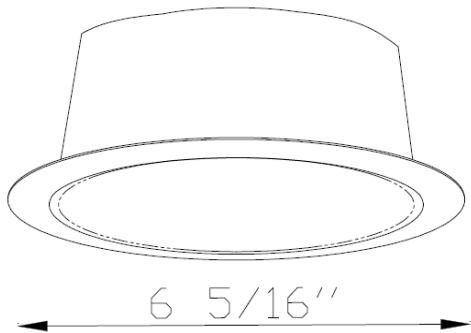
to be use in line voltage, airtight application.

LAMPING: Accomodates a 75 W PAR30, PAR30,65W BR30 bulb, please see housing for maximum wattage allowed according to selection.

Powder coated for abrasion resistance, steel torsion spring secure to housing 30 degrees tilt with screw base lamp and 360 degrees rotation.

DIAMETER: 6 5/16"

FINISHES: Matte White Ring + Aluminum Reflector



2 9/16"

6 5/16"