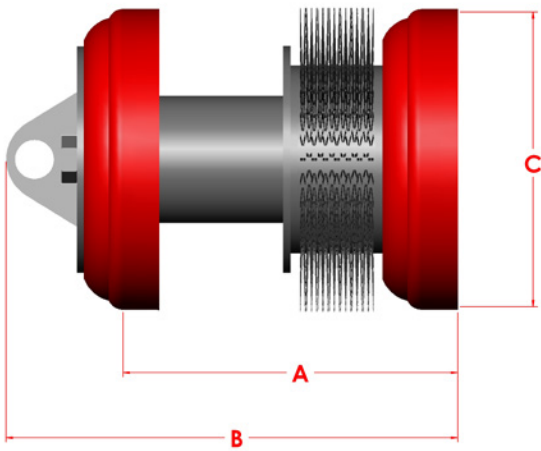


# MODERATE CLEANING

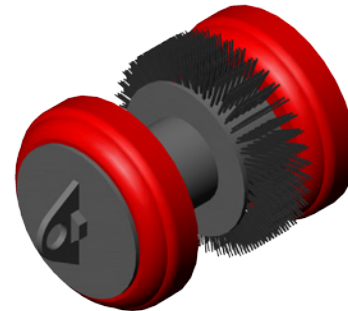
## SC2R

6-14" (152-356mm)

The Series SC2R is one powerful cleaning tool. Apache developed the Series SCR pig to deliver a moderate cleaning capability to clean all types of pipelines. The result? The line is free of debris and flow rates improve. With the scrubbing capability of the sturdy pitPRO™ or circular flange brush, the Series SCR provides outstanding cleaning ability.



Size	A	B	C	Weight	Part #
6"	7.750	11.000	6.375	13	60-3075-06
8"	10.000	13.500	8.500	23	60-3075-08
10"	11.875	16.000	10.625	38	60-3075-10
12"	14.625	19.125	12.750	53	60-3075-12
14"	17.125	21.750	13.875	62	60-3075-14



### Features & Benefits:

- The SC2R pig features two cups and one circular flange brush.
- Every Series SC2R pig is equipped with Apache Series C cups. As with all of Apache products, the Series C cup was specifically developed to perform, efficiently and reliably. To enhance durability, it's made from Reliathane, Apache's special blend of wear-resistant polyurethane.
- The large wearing surface of the cup promotes longer life, while product pressure holds the cutting edge firmly against the pipe wall.
- To use a Series SC2R pig for different applications, elements and brushes can simply be added or reconfigured.

Designed to negotiate 1.5D bends, the Series SC2R pig moves reliably through piping systems.

### Options Available:

- Circular flange brushes in the following types and trim materials:
  1. Trim types – flat wire or pencil.
  2. Trim material – carbon steel, stainless steel or plastic.
- UT Mandrel to accommodate electronic tracking equipment.
- Aluminum gauge plates in slotted or standard styles.
- Magnets can be used to either collect ferrous and other construction debris, or they can be used to provide a change in magnetic field required by non-intrusive pig signaler detection devices.
- Three (SC3R) and four cup (SC4R) configurations.