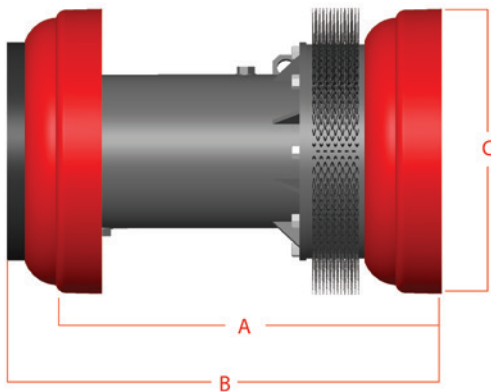


MODERATE CLEANING

SCR

16-48" (406-1219mm)

The Series SCR is one powerful cleaning tool. Apache developed the Series SCR pig to deliver a moderate cleaning capability to clean all types of pipelines. The result? The line is free of debris and flow rates improve. With the scrubbing capability of a circular flange brush, the Series SCR provides outstanding cleaning ability.



Size	A	B	C	Weight	Part #
16"	21.000	24.250	16.000	95	60-3075-16
20"	25.875	29.625	19.875	152	60-3075-20
22"	28.000	32.125	21.875	175	60-3075-22
24"	30.500	34.625	23.875	222	60-3075-24
30"	37.000	42.125	29.875	337	60-3075-30
36"	43.500	49.000	36.000	530	60-3075-36
42"	50.000	56.000	42.125	767	60-3075-42
48"	54.250	60.750	48.500	944	60-3075-48

Features & Benefits:

- The SCR pig features two cups and one circular flange brush.
- Every Series SCR pig is equipped with Apache Series C cups. As with all of Apache products, the Series C cup was specifically developed to perform efficiently and reliably. To enhance durability, it's made from Reliathane, Apache's special blend of wear-resistant polyurethane.
- The large wearing surface of the cup promotes longer life, while product pressure holds the cutting edge firmly against the pipe wall.
- Every Apache SCR 16"- 48" pig is manufactured with by-pass ports. These ports feature threaded plugs that can be removed, should by-pass be required. By removing the by-pass plugs, a portion of product flow is redirected through these openings. The debris is suspended in the turbulent flow and transferred ahead of the pig.

Designed to negotiate 1.5D bends, the Series SCR pig moves reliably through piping systems.

Options Available:

- Circular flange brushes or block brushes in the following types and trim materials:
 1. Trim types – flat wire or pencil.
 2. Trim material – carbon steel, stainless steel, plastic, or tin-coated.
- Transmitter housing to accommodate electronic tracking equipment.
- Aluminum gauge plates in slotted or standard styles.
- Three- (SC3R) and four-cup (SC4R) configurations.
- Magnets can be used to either collect ferrous and other construction debris, or they can be used to provide a change in magnetic field required by non-intrusive pig signaler detection devices.
- Rattlers.